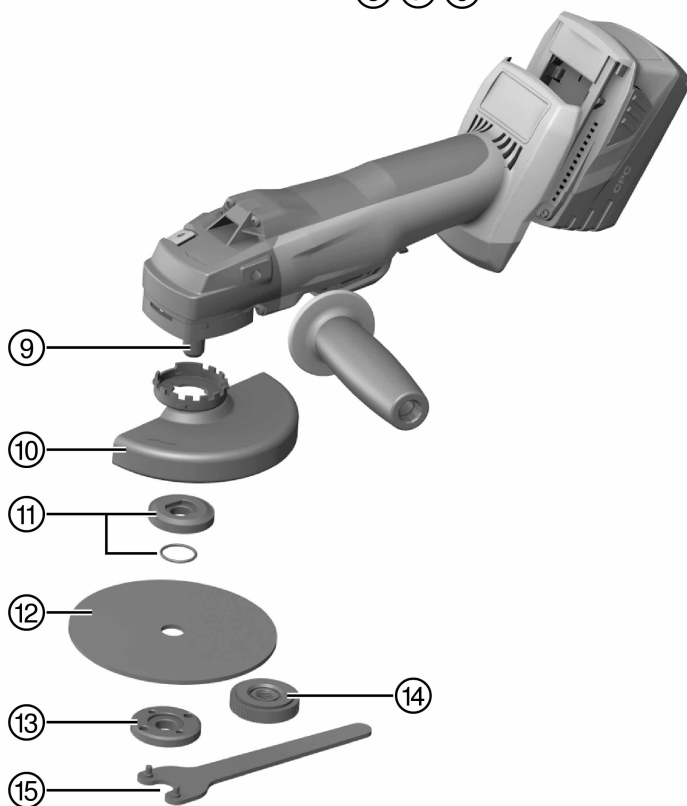
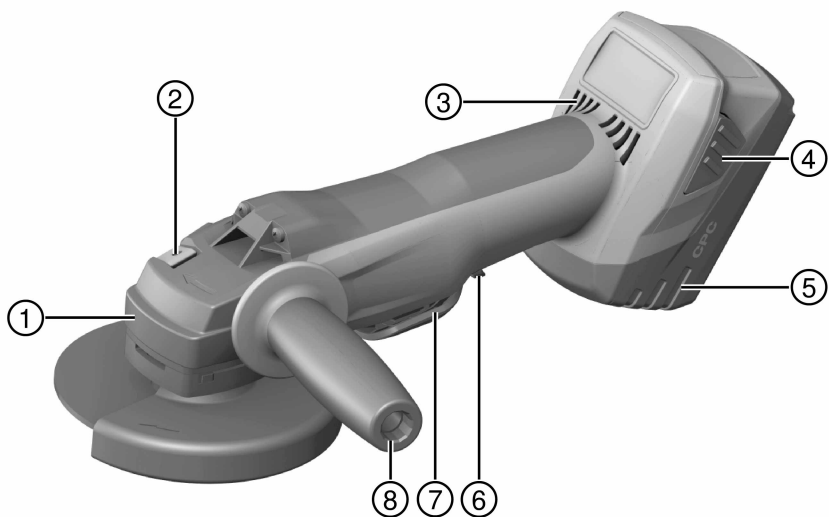




# AG 125-A22

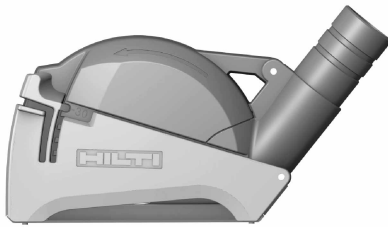
English	1
Dansk	15
Svenska	29
Norsk	43
Suomi	57
Eesti	71
Latviešu	85
Lietuvių	99
Русский	114
Қазақ	131
Türkçe	147
عربي	162
日本語	177
한국어	191
繁體中文	204
中文	216



2



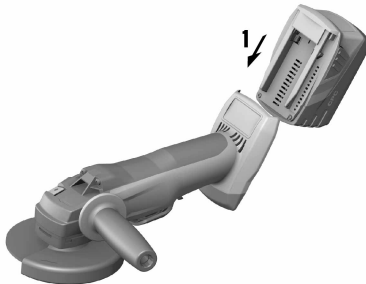
3



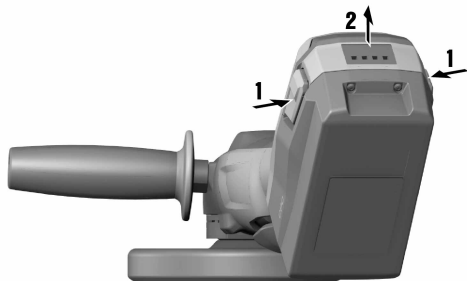
4



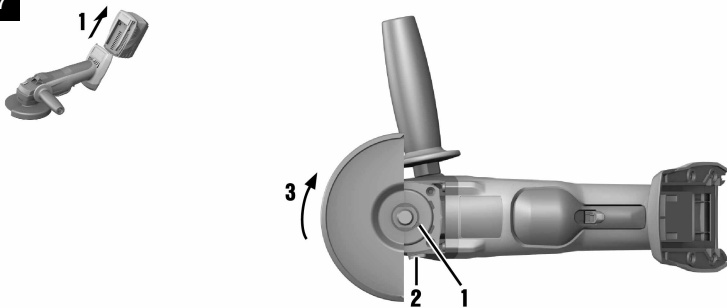
5



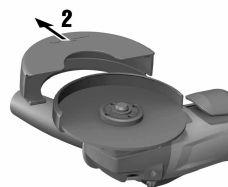
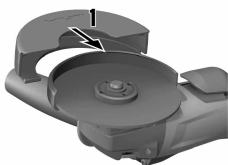
6



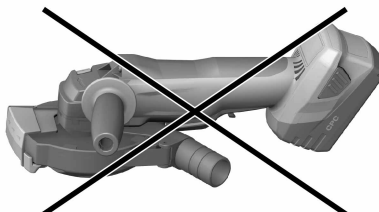
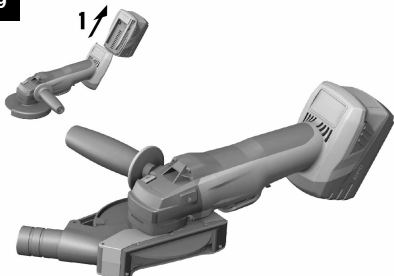
7



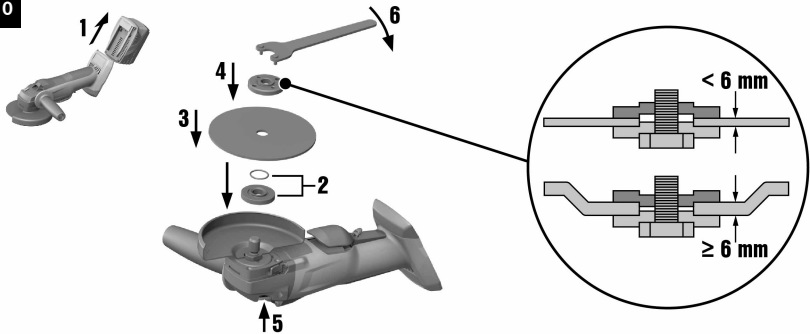
8



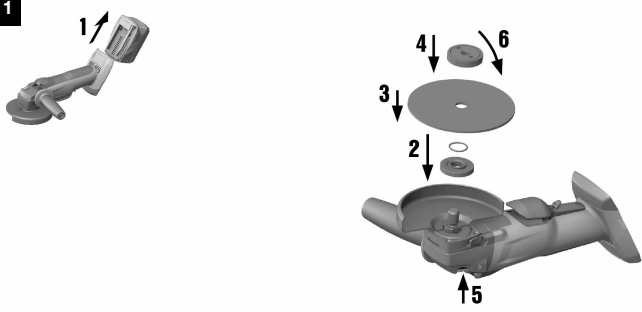
9



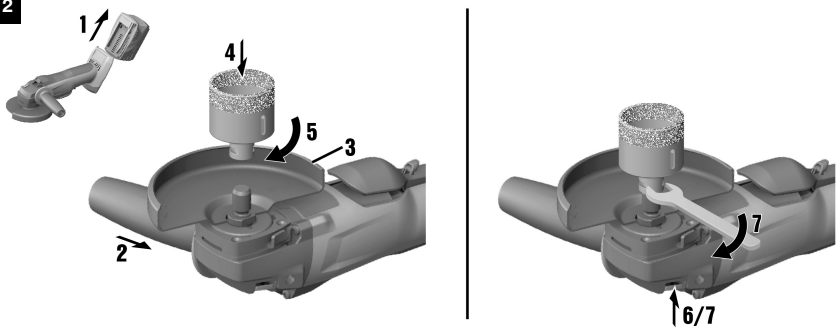
10



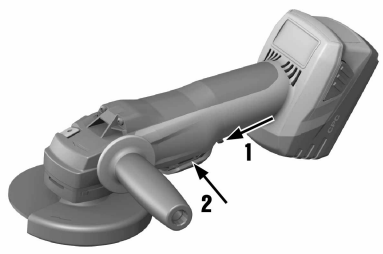
11



12



13



# AG 125-A22

en	Original operating instructions	1
da	Original brugsanvisning	15
sv	Originalbruksanvisning	29
no	Original bruksanvisning	43
fi	Alkuperäiset ohjeet	57
et	Originaalkasutusjuhend	71
lv	Originālā lietošanas instrukcija	85
lt	Originali naudojimo instrukcija	99
ru	Перевод оригинального руководства по эксплуатации	114
kk	Түпнұсқа пайдалану бойынша нұсқаулық	131
tr	Original kullanım kılavuzu	147
ar	دليل الاستعمال الأصلي	162
ja	オリジナル取扱説明書	177
ko	오리지널 사용 설명서	191
zh	原始操作說明	204
cn	原版操作说明	216

# Original operating instructions

## 1 Information about the documentation

### 1.1 About this documentation

- Read this documentation before initial operation or use. This is a prerequisite for safe, trouble-free handling and use of the product.
- Observe the safety instructions and warnings in this documentation and on the product.
- Always keep the operating instructions with the product and make sure that the operating instructions are with the product when it is given to other persons.

### 1.2 Explanation of symbols used

#### 1.2.1 Warnings

Warnings alert persons to hazards that occur when handling or using the product. The following signal words are used:

#### DANGER

##### DANGER !

- ▶ Draws attention to imminent danger that will lead to serious personal injury or fatality.

#### WARNING

##### WARNING !

- ▶ Draws attention to a potential threat of danger that can lead to serious injury or fatality.

#### CAUTION

##### CAUTION !

- ▶ Draws attention to a potentially dangerous situation that could lead to slight personal injury or damage to the equipment or other property.

#### 1.2.2 Symbols in the documentation

The following symbols are used in this document:

	Read the operating instructions before use.
	Instructions for use and other useful information
	Dealing with recyclable materials
	Do not dispose of electric equipment and batteries as household waste

#### 1.2.3 Symbols in the illustrations

The following symbols are used in illustrations:

	These numbers refer to the corresponding illustrations found at the beginning of these operating instructions
	The numbering reflects the sequence of operations shown in the illustrations and may deviate from the steps described in the text
	Item reference numbers are used in the <b>overview illustrations</b> and refer to the numbers used in the <b>product overview section</b>
	This symbol is intended to draw special attention to certain points when handling the product.



### 1.3 Product-dependent symbols

#### 1.3.1 Symbols on the product

The following symbols can be used on the product:

	Wear eye protection
n	Rated speed
/min	Revolutions per minute
RPM	Revolutions per minute
	Diameter
	Direct current (DC)
Li-Ion	Li-ion battery
	<b>Hilti</b> Li-ion battery type series used. Observe the information given in the section headed <b>Intended use</b> .
	Never use the battery as a striking tool.
	Do not drop the battery. Never use a battery that has suffered an impact or is damaged in any other way.
	The power tool supports near-field communication (NFC) technology, which is compatible with iOS and Android platforms.

### 1.4 Product information

products are designed for professional users and only trained, authorized personnel are permitted to operate, service and maintain the products. This personnel must be specifically informed about the possible hazards. The product and its ancillary equipment can present hazards if used incorrectly by untrained personnel or if used not in accordance with the intended use.

The type designation and serial number are printed on the rating plate.

- ▶ Write down the serial number in the table below. You will be required to state the product details when contacting Hilti Service or your local Hilti organization to inquire about the product.

#### Product information

Angle grinder	AG 125-A22
Generation	02
Serial no.	

### 1.5 Declaration of conformity

We declare, on our sole responsibility, that the product described here complies with the applicable directives and standards. A copy of the declaration of conformity can be found at the end of this documentation.

The technical documentation is filed here:

**Hilti** Entwicklungsgesellschaft mbH | Tool Certification | Hiltistrasse 6 | 86916 Kaufering, Germany

## 2 Safety

### 2.1 Safety instructions

#### 2.1.1 General power tool safety warnings

**WARNING**

**Read all safety warnings and all instructions.** Failure to follow the warnings and instructions may result in electric shock, fire and/or serious injury.

**Save all warnings and instructions for future reference.**





### Work area safety

- ▶ **Keep work area clean and well lit.** Cluttered or dark areas invite accidents.
- ▶ **Do not operate power tools in explosive atmospheres, such as in the presence of flammable liquids, gases or dust.** Power tools create sparks which may ignite the dust or fumes.
- ▶ **Keep children and bystanders away while operating a power tool.** Distractions can cause you to lose control.

### Electrical safety

- ▶ **Avoid body contact with earthed or grounded surfaces, such as pipes, radiators, ranges and refrigerators.** There is an increased risk of electric shock if your body is earthed or grounded.
- ▶ **Do not expose power tools to rain or wet conditions.** Water entering a power tool will increase the risk of electric shock.

### Personal safety

- ▶ **Stay alert, watch what you are doing and use common sense when operating a power tool. Do not use a power tool while you are tired or under the influence of drugs, alcohol or medication.** A moment of inattention while operating power tools may result in serious personal injury.
- ▶ **Use personal protective equipment. Always wear eye protection.** Protective equipment such as dust mask, non-skid safety shoes, hard hat, or hearing protection used for appropriate conditions will reduce personal injuries.
- ▶ **Prevent unintentional starting. Ensure the switch is in the off-position before connecting to battery pack, picking up or carrying the tool.** Carrying power tools with your finger on the switch or energising power tools that have the switch on invites accidents.
- ▶ **Remove any adjusting key or wrench before turning the power tool on.** A wrench or a key left attached to a rotating part of the power tool may result in personal injury.
- ▶ **Do not overreach. Keep proper footing and balance at all times.** This enables better control of the power tool in unexpected situations.
- ▶ **Dress properly. Do not wear loose clothing or jewellery. Keep your hair, clothing and gloves away from moving parts.** Loose clothes, jewellery or long hair can be caught in moving parts.
- ▶ **If devices are provided for the connection of dust extraction and collection facilities, ensure these are connected and properly used.** Use of dust collection can reduce dust-related hazards.

### Power tool use and care

- ▶ **Do not force the power tool. Use the correct power tool for your application.** The correct power tool will do the job better and safer at the rate for which it was designed.
- ▶ **Do not use the power tool if the switch does not turn it on and off.** Any power tool that cannot be controlled with the switch is dangerous and must be repaired.
- ▶ **Disconnect the battery pack from the power tool before making any adjustments, changing accessories, or storing power tools.** Such preventive safety measures reduce the risk of starting the power tool accidentally.
- ▶ **Store idle power tools out of the reach of children and do not allow persons unfamiliar with the power tool or these instructions to operate the power tool.** Power tools are dangerous in the hands of untrained users.
- ▶ **Maintain power tools. Check for misalignment or binding of moving parts, breakage of parts and any other condition that may affect the power tool's operation. If damaged, have the power tool repaired before use.** Many accidents are caused by poorly maintained power tools.
- ▶ **Keep cutting tools sharp and clean.** Properly maintained cutting tools with sharp cutting edges are less likely to bind and are easier to control.
- ▶ **Use the power tool, accessories and tool bits etc. in accordance with these instructions, taking into account the working conditions and the work to be performed.** Use of the power tool for operations different from those intended could result in a hazardous situation.

### Battery tool use and care

- ▶ **Recharge only with the charger specified by the manufacturer.** A charger that is suitable for one type of battery pack may create a risk of fire when used with another battery pack.
- ▶ **Use power tools only with specifically designated battery packs.** Use of any other battery packs may create a risk of injury and fire.
- ▶ **When battery pack is not in use, keep it away from other metal objects, like paper clips, coins, keys, nails, screws or other small metal objects, that can make a connection from one terminal to another.** Shorting the battery terminals together may cause burns or a fire.
- ▶ **Under abusive conditions, liquid may be ejected from the battery; avoid contact. If contact accidentally occurs, flush with water. If liquid contacts eyes, additionally seek medical help.** Liquid ejected from the battery may cause irritation or burns.



**Service**

- ▶ **Have your power tool serviced by a qualified repair person using only identical replacement parts.** This will ensure that the safety of the power tool is maintained.

**2.1.2 Safety warnings common for grinding, sanding, wire brushing, polishing or abrasive cutting-off operations:**

- ▶ **This power tool is intended to function as a grinder or cut-off tool. Read all safety warnings, instructions, illustrations and specifications provided with this power tool.** Failure to follow all instructions listed below may result in electric shock, fire and/or serious injury.
- ▶ **Operations such as sanding, wire brushing or polishing are not recommended to be performed with this power tool.** Operations for which the power tool was not designed may create a hazard and cause personal injury.
- ▶ **Do not use accessories which are not specifically designed and recommended by the tool manufacturer.** Just because the accessory can be attached to your power tool, it does not assure safe operation.
- ▶ **The rated speed of the accessory must be at least equal to the maximum speed marked on the power tool.** Accessories running faster than their rated speed can break and fly apart.
- ▶ **The outside diameter and the thickness of your accessory must be within the capacity rating of your power tool.** Incorrectly sized accessories cannot be adequately guarded or controlled.
- ▶ **Threaded mounting of accessories must match the grinder spindle thread. For accessories mounted by flanges, the arbour hole of the accessory must fit the locating diameter of the flange.** Accessories that do not match the mounting hardware of the power tool will run out of balance, vibrate excessively and may cause loss of control.
- ▶ **Do not use a damaged accessory. Before each use inspect the accessory such as abrasive wheels for chips and cracks, backing pad for cracks, tear or excess wear, wire brush for loose or cracked wires. If power tool or accessory is dropped, inspect for damage or install an undamaged accessory. After inspecting and installing an accessory, position yourself and bystanders away from the plane of the rotating accessory and run the power tool at maximum no-load speed for one minute.** Damaged accessories will normally break apart during this test time.
- ▶ **Wear personal protective equipment. Depending on application, use face shield, safety goggles or safety glasses. As appropriate, wear dust mask, hearing protectors, gloves and workshop apron capable of stopping small abrasive or workpiece fragments.** The eye protection must be capable of stopping flying debris generated by various operations. The dust mask or respirator must be capable of filtering particles generated by your operation. Prolonged exposure to high intensity noise may cause hearing loss.
- ▶ **Keep bystanders a safe distance away from work area. Anyone entering the work area must wear personal protective equipment.** Fragments of workpiece or of a broken accessory may fly away and cause injury beyond immediate area of operation.
- ▶ **Hold the power tool by insulated gripping surfaces only, when performing an operation where the cutting tool may contact hidden wiring.** Contact with a "live" wire will also make exposed metal parts of the power tool "live" and could give the operator an electric shock.
- ▶ **Position the cord clear of the spinning accessory.** If you lose control, the cord may be cut or snagged and your hand or arm may be pulled into the spinning accessory.
- ▶ **Never lay the power tool down until the accessory has come to a complete stop.** The spinning accessory may grab the surface and pull the power tool out of your control.
- ▶ **Do not run the power tool while carrying it at your side.** Accidental contact with the spinning accessory could snag your clothing, pulling the accessory into your body.
- ▶ **Regularly clean the power tool's air vents.** The motor's fan will draw the dust inside the housing and excessive accumulation of powdered metal may cause electrical hazards.
- ▶ **Do not operate the power tool near flammable materials.** Sparks could ignite these materials.
- ▶ **Do not use accessories that require liquid coolants.** Using water or other liquid coolants may result in electrocution or shock.

**Kickback and related warnings**

Kickback is a sudden reaction to a pinched or snagged rotating wheel, backing pad, brush or any other accessory. Pinching or snagging causes rapid stalling of the rotating accessory which in turn causes the uncontrolled power tool to be forced in the direction opposite of the accessory's rotation at the point of the binding.

For example, if an abrasive wheel is snagged or pinched by the workpiece, the edge of the wheel that is entering into the pinch point can dig into the surface of the material causing the wheel to climb out or kick



out. The wheel may either jump toward or away from the operator, depending on direction of the wheel's movement at the point of pinching. Abrasive wheels may also break under these conditions.

Kickback is the result of power tool misuse and/or incorrect operating procedures or conditions and can be avoided by taking proper precautions as given below.

- ▶ **Maintain a firm grip on the power tool and position your body and arm to allow you to resist kickback forces. Always use auxiliary handle, if provided, for maximum control over kickback or torque reaction during start-up.** The operator can control torque reactions or kickback forces, if proper precautions are taken.
- ▶ **Never place your hand near the rotating accessory.** Accessory may kickback over your hand.
- ▶ **Do not position your body in the area where power tool will move if kickback occurs.** Kickback will propel the tool in direction opposite to the wheel's movement at the point of snagging.
- ▶ **Use special care when working corners, sharp edges etc. Avoid bouncing and snagging the accessory.** Corners, sharp edges or bouncing have a tendency to snag the rotating accessory and cause loss of control or kickback.
- ▶ **Do not attach a saw chain woodcarving blade or toothed saw blade.** Such blades create frequent kickback and loss of control.

#### Safety warnings specific for grinding and abrasive cutting-off operations:

- ▶ **Use only wheel types that are recommended for your power tool and the specific guard designed for the selected wheel.** Wheels for which the power tool was not designed cannot be adequately guarded and are unsafe.
- ▶ **The grinding surface of centre depressed wheels must be mounted below the plane of the guard lip.** An improperly mounted wheel that projects through the plane of the guard lip cannot be adequately protected.
- ▶ **The guard must be securely attached to the power tool and positioned for maximum safety, so the least amount of wheel is exposed towards the operator.** The guard helps to protect the operator from broken wheel fragments, accidental contact with wheel and sparks that could ignite clothing.
- ▶ **Wheels must be used only for recommended applications. For example: do not grind with the side of cut-off wheel.** Abrasive cut-off wheels are intended for peripheral grinding, side forces applied to these wheels may cause them to shatter.
- ▶ **Always use undamaged wheel flanges that are of correct size and shape for your selected wheel.** Proper wheel flanges support the wheel thus reducing the possibility of wheel breakage. Flanges for cut-off wheels may be different from grinding wheel flanges.
- ▶ **Do not use worn down wheels from larger power tools.** Wheel intended for larger power tool is not suitable for the higher speed of a smaller tool and may burst.

#### Additional safety warnings specific for abrasive cutting-off operations:

- ▶ **Do not "jam" the cut-off wheel or apply excessive pressure. Do not attempt to make an excessive depth of cut.** Overstressing the wheel increases the loading and susceptibility to twisting or binding of the wheel in the cut and the possibility of kickback or wheel breakage.
- ▶ **Do not position your body in line with and behind the rotating wheel.** When the wheel, at the point of operation, is moving away from your body, the possible kickback may propel the spinning wheel and the power tool directly at you.
- ▶ **When wheel is binding or when interrupting a cut for any reason, switch off the power tool and hold the power tool motionless until the wheel comes to a complete stop. Never attempt to remove the cut-off wheel from the cut while the wheel is in motion otherwise kickback may occur.** Investigate and take corrective action to eliminate the cause of wheel binding.
- ▶ **Do not restart the cutting operation in the workpiece. Let the wheel reach full speed and carefully re-enter the cut.** The wheel may bind, walk up or kickback if the power tool is restarted in the workpiece.
- ▶ **Support panels or any oversized workpiece to minimize the risk of wheel pinching and kickback.** Large workpieces tend to sag under their own weight. Supports must be placed under the workpiece near the line of cut and near the edge of the workpiece on both sides of the wheel.
- ▶ **Use extra caution when making a "pocket cut" into existing walls or other blind areas.** The protruding wheel may cut gas or water pipes, electrical wiring or objects that can cause kickback.

### 2.1.3 Additional safety instructions

#### Personal safety

- ▶ Only use the product if it is in perfect working order.
- ▶ Never tamper with or modify the tool in any way.
- ▶ Avoid touching rotating parts – risk of injury!
- ▶ Wear protective gloves also when changing the accessory tool. Touching the accessory tool presents a risk of injury (cuts or burns).



- ▶ Before starting work, check the hazard class of the dust that will be produced when working. Use an industrial vacuum cleaner with an officially approved protection class in compliance with the locally applicable dust protection regulations. Dust from materials such as lead-based paint, certain types of wood and concrete/masonry/stone containing quartz, minerals or metal may be harmful to health.
- ▶ Make sure that the workplace is well ventilated and, where necessary, wear a respirator appropriate for the type of dust generated. Contact with or inhalation of the dust may cause allergic reactions and/or respiratory or other diseases among operators or bystanders. Certain kinds of dust are classified as carcinogenic such as oak and beech dust, especially in conjunction with additives for wood conditioning (chromate, wood preservative). Material containing asbestos may be handled only by specialists.
- ▶ Take breaks between working and do physical exercises to improve the blood circulation in your fingers. Exposure to vibration during long periods of work can lead to disorders of the blood vessels and nervous system in the fingers, hands and wrists.

### **Electrical safety**

- ▶ Before beginning work, check the working area for concealed electric cables or gas and water pipes. External metal parts of the power tool may give you an electric shock if you damage an electric cable accidentally.

### **Using and handling power tools with care**

- ▶ Do not use cutting discs for grinding.
- ▶ Tighten the accessory tool and flange securely. If the accessory tool and flange are not tightened securely, the accessory tool may work loose from the spindle due to the braking effect of the motor after switching off.
- ▶ Comply with the manufacturer's instructions for handling and storing grinding discs.

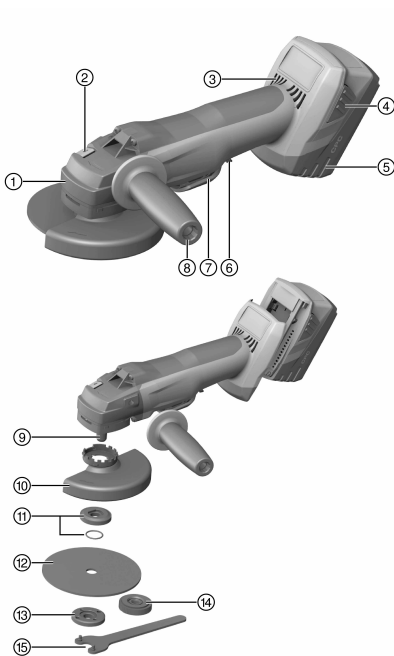
#### **2.1.4 Battery use and care**

- ▶ Observe the special regulations and instructions applicable to the transport, storage and use of Li-ion batteries.
- ▶ Do not expose batteries to high temperatures, direct sunlight or fire.
- ▶ Do not disassemble, crush or incinerate batteries and do not subject them to temperatures over 80 °C.
- ▶ Do not use or charge batteries that have suffered mechanical impact, have been dropped from a height or show signs of damage. In this case, always contact your **Hilti Service**.
- ▶ If the battery is too hot to touch it may be defective. In this case, place the product in a non-flammable location, well away from flammable materials, where it can be kept under observation and allowed to cool down. In this case, always contact your **Hilti Service**.



### 3 Description

#### 3.1 Overview of the product



- ① Guard release button
- ② Spindle lockbutton
- ③ Air vents
- ④ Release button with additional function (charge status display activation)
- ⑤ Battery
- ⑥ Switch-on interlock release button
- ⑦ On/off switch
- ⑧ Vibration-absorbing side handle
- ⑨ Spindle
- ⑩ Standard guard
- ⑪ Clamping flange with O-ring
- ⑫ Abrasive cutting disc / abrasive grinding disc
- ⑬ Clamping nut
- ⑭ **Kwik lock** clamping nut (optional)
- ⑮ Wrench

#### 3.2 Intended use

The product described is a hand-held cordless angle grinder. It is designed to be used for cutting and grinding metals and mineral materials, and for drilling tiles without use of water. It can be used only for dry grinding / cutting.

- The power tool may be used for cutting, slitting and grinding mineral materials only when equipped with the corresponding guard (optional accessory).
- A dust removal hood together with a suitable **Hilti** vacuum cleaner must be used for working on mineral materials such as concrete or stone.
- ▶ Use only **Hilti** Li-ion batteries of the B 22 series with this product.
- ▶ Use only **Hilti** battery chargers of the C4/36 series for charging these batteries.

#### 3.3 Items supplied

Angle grinder, side handle, standard guard, front cover, clamping flange, clamping nut, wrench, operating instructions.

Other system products approved for use with this product can be found at your local **Hilti Store** or at: [www.hilti.group](http://www.hilti.group)

#### 3.4 Temperature-dependent motor protection

The temperature-dependent motor protection system monitors current input and motor temperature and thus prevents the power tool overheating.

If the motor is overloaded through application of excessive working pressure, the power tool's performance drops noticeably or it may stall completely.

If the power tool stalls or slows significantly due to overloading, release the pressure applied to the tool and then allow it to run under no load for approx. 30 seconds.



### 3.5 Guard with front cover

When grinding with straight grinding discs and cutting with cutting discs in metalworking applications, use the standard guard with front cover.

### 3.6 DC-EX 125/5" C compact dust hood for cutting (accessory)

When cutting mineral materials with diamond cutting discs, use the DC-EX 125/5" C compact hood.

**CAUTION** Use of this hood for working on metal is prohibited.

### 3.7 DG-EX 125/5" dust hood for grinding (accessory)

The grinding system is suitable only for occasional use with diamond cup wheels for grinding mineral materials.

**CAUTION** Use of this hood for working on metal is prohibited.

### 3.8 Li-ion battery charge status display

The charge status of the Li-ion battery is displayed after one of the two battery release buttons is pressed.

Status	Meaning
4 LEDs light.	Charge status: 75 % to 100 %
3 LEDs light.	Charge status: 50 % to 75 %
2 LEDs light.	Charge status: 25 % to 50 %
1 LED lights up.	Charge status: 10 % to 25 %
1 LED blinks.	Charge status: < 10 %



Indication of the charge status is not possible while the power tool is in operation or immediately after operation. If the battery charge status LEDs blink, please refer to the information given in the Troubleshooting section.

## 4 Consumables

Only synthetic resin-bonded, fiber-reinforced discs with maximum Ø 125 mm which are approved for use at a rotational speed of at least 11,000/min and a peripheral speed of 80 m/s may be used.

The maximum permissible grinding disc thickness is 6.4 mm and the maximum permissible cutting disc thickness is 3 mm.

**ATTENTION!** When cutting or slitting with abrasive cutting discs always use the standard guard with the additional front cover, or a fully enclosing dust hood.

#### Discs

	Application	Designation	Material
Abrasive cutting disc	Cutting, slitting	AC-D	Metal
Diamond cutting disc	Cutting, slitting	DC-TP, DC-D (SPX, SP, P)	Mineral
Abrasive grinding disc	Rough grinding	AG-D, AF-D, AN-D	Metal
Diamond grinding disc	Rough grinding	DG-CW (SPX, SP, P)	Mineral
Diamond core bit	Drilling in tiles	DD-M14	Mineral

#### Suitability of discs for the equipment used

Item	Equipment	AC-D	AG-D	AF-D	AN-D	DG-CW	DC-D	DD-M14
A	Guard	X	X	X	X	X	X	X
B	Front cover (in combination with A)	X	—	—	—	—	X	—
C	DG-EX 125/5" dust hood for grinding	—	—	—	—	X	—	—



Item	Equipment	AC-D	AG-D	AF-D	AN-D	DG-CW	DC-D	DD-M14
D	DC-EX 125/5°C dust hood for cutting (only in conjunction with A)	—	—	—	—	—	X	—
E	Side handle	X	X	X	X	X	X	X
F	DCBG 125 hoop handle (optional for E)	X	X	X	X	X	X	X
G	Clamping nut	X	X	X	X	X	X	—
H	Clamping flange	X	X	X	X	X	X	—
I	<b>Kwik lock</b> (optional for G)	X	X	X	X	—	X	—

## 5 Technical data

	<b>AG 125-A22</b>
<b>Rated voltage</b>	21.6 V
<b>Rated speed</b>	9,500 /min
<b>Maximum disc diameter</b>	125 mm
<b>Weight in accordance with EPTA Procedure 01 including B228.0 battery</b>	3.3 kg
<b>Drive spindle thread (arbor size)</b>	M14
<b>Spindle length</b>	22 mm

### 5.1 Noise information and vibration values in accordance with EN 60745

The sound pressure and vibration values given in these instructions were measured in accordance with a standardized test and can be used to compare one power tool with another. They can also be used for a preliminary assessment of exposure. The data given represents the main applications of the power tool. However, if the power tool is used for different applications, with different accessory tools, or is poorly maintained, the data can vary. This can significantly increase exposure over the total working period. An accurate estimation of exposure should also take into account the times when the tool is switched off, or when it is running but not actually being used for a job. This can significantly reduce exposure over the total working period. Identify additional safety measures to protect the operator from the effects of noise and/or vibration, for example: Maintaining the power tool and accessory tools, keeping the hands warm, organization of work patterns.

#### Noise information

<b>Emission sound pressure level (<math>L_{pA}</math>)</b>	83 dB(A)
<b>Uncertainty for the sound pressure level (<math>K_{pA}</math>)</b>	3 dB(A)
<b>Sound (power) level (<math>L_{WA}</math>)</b>	94 dB(A)
<b>Uncertainty for the sound power level (<math>K_{WA}</math>)</b>	3 dB(A)

#### Vibration information

Other applications, such as cutting, may produce vibration values that deviate from the given values.

<b>Surface grinding with the vibration-absorbing side handle (<math>a_{h,AG}</math>)</b>	3.8 m/s <sup>2</sup>
<b>Uncertainty (K)</b>	1.5 m/s <sup>2</sup>

### 5.2 Battery

<b>Battery operating voltage</b>	21.6 V
<b>Ambient temperature for operation</b>	-17 °C ... 60 °C
<b>Storage temperature</b>	-20 °C ... 40 °C
<b>Battery charging starting temperature</b>	-10 °C ... 45 °C



## 6 Before use

---

### 6.1 Inserting the battery

#### CAUTION

**Risk of injury.** Due to the angle grinder starting unintentionally.

- ▶ Before fitting the battery, check that the angle grinder is switched off and that the safety lock is activated.
- 

#### CAUTION

**Electrical hazard.** Dirty contacts may cause a short circuit.

- ▶ Before inserting the battery, check to ensure that the battery terminals and the contacts in the angle grinder are free from foreign objects.
- 

#### CAUTION

**Risk of injury.** If the battery is not fitted correctly it may drop out and fall.

- ▶ Check that the battery is securely seated in the tool so that it cannot drop out and fall, thereby presenting a hazard to other persons.
  - ▶ Fit the battery and check that the battery is securely seated in the power tool.
- 

### 6.2 Removing the battery

- ▶ Remove the battery.

### 6.3 Fitting the side handle

- ▶ Screw the side handle into one of the threaded bushings provided.


### 6.4 Fitting or removing the guard

#### CAUTION

**Risk of injury.** The accessory tool may be hot or have sharp edges.

- ▶ Wear protective gloves when fitting, removing or adjusting the accessory tool or other parts and when troubleshooting.
  - ▶ Observe the instructions for fitting the applicable guard.
- 

#### 6.4.1 Fitting the guard

 The guard is equipped with locating lugs that ensure only guards of a type suitable for use with the power tool can be fitted. The locating lugs of the guard fit into the guard mount on the power tool.

---

1. Fit the guard onto the drive spindle collar so that the two triangular marks on the guard and on the power tool are in alignment.
2. Press the guard onto the drive spindle collar.
3. Press the guard release button.
4. Rotate the guard until it engages and the guard release button jumps back into its original position.


#### 6.4.2 Adjusting the guard

- ▶ Press the guard release button and then rotate the guard until it engages in the desired position.

#### 6.4.3 Removing the hood

1. Press the guard release button and then rotate the guard until the triangular marks on the guard and the power tool are in alignment.
2. Remove the guard.

### 6.5 Fitting or removing the front cover

 The front cover, when used, is clipped onto the guard.

---





1. Position the front cover with the closed side on the standard guard and push it on until it engages.
2. To remove it, release the catch for the front cover and then lift the front cover away from the standard guard.

## 6.6 Positioning the DC-EX 125/5" C dust hood (for cutting)

- ▶ Position the compact guard so that the on/off switch remains easily accessible and operable at all times.

## 6.7 Fitting and removing accessory tools

### CAUTION

**Risk of injury.** The accessory tool may be hot.

- ▶ Wear protective gloves when changing the accessory tool.



Diamond discs must be replaced when their cutting or grinding performance drops significantly. This generally is the case when the segments reach a height of less than 2 mm.

Other discs must be replaced when their cutting performance drops significantly or other parts of the angle grinder (not the disc) come into contact with the material you are working on.

Abrasive discs must be replaced when their expiry date has been reached.

### 6.7.1 Fitting an accessory tool

1. Remove the battery. → page 10
2. Check that the O-ring is in place in the clamping flange and that it is undamaged.

#### **Result**

The O-ring is damaged.

There is no O-ring in the clamping flange.

- ▶ Fit a new clamping flange with O-ring.
3. Fit the clamping flange onto the drive spindle (keyed fit to prevent slipping/rotation).
  4. Fit the accessory tool.

### WARNING

**Risk of injury.** The accessory tool may work loose due to the braking effect of the motor.

- ▶ Wait until the accessory tool has come to a standstill before touching or gripping the accessory tool or the clamping nut.
- ▶ Secure the accessory tool by tightening the clamping flange and clamping nut firmly so that no parts work loose from the spindle due to the braking effect of the motor.

5. Screw on the clamping nut corresponding to the type of accessory tool fitted.
6. Press the spindle lockbutton and hold it in this position.
7. Use the pin wrench to tighten the clamping nut securely, then release the spindle lockbutton and remove the wrench.

### 6.7.2 Removing the accessory tool

1. Remove the battery. → page 10

### CAUTION

**Risk of breakage and irreparable damage.** If the spindle lockbutton is pressed while the spindle is rotating, the accessory tool can detach from the power tool.

- ▶ Press the spindle lockbutton only when the spindle has stopped rotating.
2. Press the spindle lockbutton and hold it in this position.
  3. Release the clamping nut by gripping it with the wrench and turning the nut counterclockwise.
  4. Release the spindle lockbutton and remove the accessory tool.



### 6.7.3 Fitting an accessory tool secured with a **Kwik lock** nut

#### CAUTION

**Risk of breakage.** Heavy wear (abrasion) may cause the **Kwik lock** nut to break.

- ▶ When working with the power tool, make sure that the **Kwik lock** nut doesn't come into contact with the working surface.
- ▶ Do not use a damaged **Kwik lock** nut.



The optional **Kwik lock** nut can be used instead of the standard clamping nut. Accessory tools (discs etc.) can then be changed without need for additional tools (keyless system).

1. Remove the battery. → page 10
2. Clean the clamping flange and the quick-release clamping nut.
3. Fit the clamping flange onto the drive spindle.
4. Fit the accessory tool.
5. Screw on the **Kwik lock** nut until it is seated against the accessory tool.
  - ▶ The name **Kwik lock** should be visible when the nut is screwed on.
6. Press the spindle lockbutton and hold it in this position.
7. Turn the accessory tool firmly by hand in a clockwise direction until the **Kwik lock** nut is tightened securely and then release the spindle lockbutton.

### 6.7.4 Removing an accessory tool secured with a **Kwik lock** nut

1. Remove the battery. → page 10

#### CAUTION

**Risk of breakage and irreparable damage.** If the spindle lockbutton is pressed while the spindle is rotating, the accessory tool can detach from the power tool.

- ▶ Press the spindle lockbutton only when the spindle has stopped rotating.
2. Press the spindle lockbutton and hold it in this position.
  3. Release the **Kwik lock** nut by turning it counterclockwise by hand.
  4. If the **Kwik lock** nut cannot be released by turning it by hand, use a pin wrench to turn the nut in a counterclockwise direction.



Never use a pipe wrench! A pipe wrench could damage the **Kwik lock** nut.

5. Release the spindle lockbutton and remove the accessory tool.

### 6.7.5 Fitting the core bit

1. Remove the battery. → page 10
2. Fit the side handle. → page 10
3. Fit the guard. → page 10
4. Place the core bit in position and tighten it hand-tight.
5. Press and hold down the arbor lockbutton.
6. Tighten the core bit with a suitable open-end wrench.
7. Then release the spindle lockbutton and remove the open-end wrench.

## 7 Operation

### 7.1 Grinding

#### CAUTION

**Risk of injury.** The accessory tool may suddenly stick or stall.

- ▶ Use the power tool with the side handle (or optional hoop grip) fitted and always hold the power tool securely with both hands.



## 7.2 Cutting

- ▶ When cutting, apply moderate feed pressure and do not tilt the power tool or the cutting disc (when working, hold at approx. 90° to the surface being cut).



For best results when cutting profiles and square tube, start cutting at the smallest cross section.

## 7.3 Rough grinding



### CAUTION

**Risk of injury.** The abrasive cutting disc could shatter and flying fragments may cause injury.

- ▶ Never use abrasive cutting discs for grinding.
- ▶ Move the power tool to and fro while maintaining a 5° to 30° angle of attack and applying moderate pressure.
  - ▶ This will avoid overheating and discoloration of the workpiece and help ensure an even surface finish.

## 7.4 Switching on (tool equipped with switch-on safety interlock)



The on / off switch with safety lock (switch-on interlock) gives you full control of the switch function and avoids unintentional starting.

1. Push the safety lock forward.
  - ▶ The on/off switch is unlocked.
2. Press the on/off switch as far as it will go.
  - ▶ The power tool's motor runs at no-load speed.

## 7.5 Switching off (tool equipped with switch-on safety interlock)

- ▶ Release the on/off switch.
  - ▶ The safety lock jumps automatically into the locked position.

## 8 Care and maintenance



### WARNING

**Risk of injury with battery inserted !**

- ▶ Always remove the battery before carrying out care and maintenance tasks!

### Care and maintenance of the tool

- Carefully remove stubborn dirt.
- Clean the air vents carefully with a dry brush.
- Use only a slightly damp cloth to clean the casing. Do not use cleaning agents containing silicone as these can attack the plastic parts.

### Care of the Li-ion batteries

- Keep the battery free from oil and grease.
- Use only a slightly damp cloth to clean the casing. Do not use cleaning agents containing silicone as these may attack the plastic parts.
- Avoid ingress of moisture.

### Maintenance

- Check all visible parts and controls for signs of damage at regular intervals and make sure that they all function correctly.
- Do not operate the product if signs of damage are found or if parts malfunction. Have it repaired immediately by **Hilti** Service.
- After cleaning and maintenance, fit all guards or protective devices and check that they function correctly.





To help ensure safe and reliable operation, use only genuine Hilti spare parts and consumables. Spare parts, consumables and accessories approved by Hilti for use with the product can be found at your local **Hilti Store** or online at: [www.hilti.group](http://www.hilti.group).

## 9 Transport and storage of cordless tools

### Transport

#### CAUTION

#### Accidental starting during transport !

- ▶ Always transport your products with the batteries removed!
- ▶ Remove the battery.
- ▶ Never transport batteries in bulk form (loose, unprotected).
- ▶ Check the tool and batteries for damage before use after long periods of transport.

### Storage

#### CAUTION

#### Accidental damage caused by defective or leaking batteries !

- ▶ Always store your products with the batteries removed!
- ▶ Store the tool and batteries in a place that is as cool and dry as possible.
- ▶ Never store batteries in direct sunlight, on heating units or behind a window pane.
- ▶ Store the tool and batteries in a place where they cannot be accessed by children or unauthorized persons.
- ▶ Check the tool and batteries for damage before use after long periods of storage.

## 10 Troubleshooting

If the trouble you are experiencing is not listed in this table or you are unable to remedy the problem by yourself, please contact **Hilti Service**.

### 10.1 Troubleshooting

Trouble or fault	Possible cause	Action to be taken
The battery runs down more quickly than usual.	Very low ambient temperature.	▶ Allow the battery to warm up slowly to room temperature.
The battery doesn't engage with an audible click.	The retaining lugs on the battery are dirty.	▶ Clean the retaining lugs and refit the battery.
1 LED blinks. The power tool does not run.	Low battery.	▶ Change the battery and charge the empty battery.
	The battery is too hot or too cold.	▶ Allow the battery to cool down or warm up slowly to room temperature.
All 4 LEDs blink. The power tool does not run.	The tool has been overloaded.	▶ Release the control switch and then press it again. Then allow the power tool to run under no load for approx. 30 seconds.
The angle grinder or battery gets very hot.	Electrical fault.	▶ Switch the power tool off immediately, remove the battery, keep it under observation, allow it to cool down and contact <b>Hilti Service</b> .
The tool does not achieve full power.	A battery with inadequate capacity was used.	▶ Use a battery with adequate capacity.
The motor has no braking effect.	Low battery.	▶ Change the battery and charge the empty battery.
	The power tool was overloaded briefly.	▶ Release the control switch and then press it again.



## 11 Disposal

Most of the materials from which **Hilti** tools and appliances are manufactured can be recycled. The materials must be correctly separated before they can be recycled. In many countries, your old tools, machines or appliances can be returned to **Hilti** for recycling. Ask **Hilti** Service or your Hilti representative for further information.

### Battery disposal

Improper disposal of batteries can result in health hazards from leaking gases or fluids.

- ▶ DO NOT send batteries through the mail!
- ▶ Cover the terminals with a non-conductive material (such as electrical tape) to prevent short circuiting.
- ▶ Dispose of your battery out of the reach of children.
- ▶ Dispose of the battery at your **Hilti Store**, or consult your local governmental garbage disposal or public health and safety resources for disposal instructions.



- ▶ Do not dispose of power tools, electronic equipment or batteries as household waste!

## 12 RoHS (Restriction of Hazardous Substances)

Click on the links to go to the table of hazardous substances: [qr.hilti.com/r3958236](http://qr.hilti.com/r3958236).

There is a link to the RoHS table, in the form of a QR code, at the end of this document.

## 13 Manufacturer's warranty

- ▶ Please contact your local **Hilti** representative if you have questions about the warranty conditions.

# Original brugsanvisning

## 1 Oplysninger vedrørende dokumentationen

### 1.1 Vedrørende denne dokumentation

- Læs denne dokumentation igennem før ibrugtagning. Det er en forudsætning for sikkert arbejde og korrekt håndtering.
- Følg sikkerheds- og advarselshenvisningerne i denne dokumentation og på produktet.
- Opbevar altid brugsanvisningen sammen med produktet, og overdrag det kun til andre personer sammen med denne anvisning.

### 1.2 Tegnforklaring

#### 1.2.1 Advarsler

Advarsler advarer mod farer ved håndtering af produktet. Følgende signalord anvendes:



**FARE**

**FARE !**

- ▶ Betegner en umiddelbart truende fare, der kan medføre alvorlige kvæstelser eller døden.



**ADVARSEL**

**ADVARSEL !**

- ▶ Står ved en potentielt truende fare, der kan medføre alvorlige kvæstelser eller døden.



**FORSIGTIG**

**FORSIGTIG !**

- ▶ Betegner en potentielt farlig situation, der kan forårsage lettere personskader eller materielle skader.

#### 1.2.2 Symboler i denne dokumentation

Følgende symboler anvendes i denne dokumentation:



2111867

	Læs brugsanvisningen før brug
	Anvisninger for anvendelse og andre nyttige oplysninger
	Håndtering af genvindbare materialer
	Elektriske maskiner og batterier må ikke bortskaffes som almindeligt husholdningsaffald

### 1.2.3 Symboler i illustrationer

Følgende symboler anvendes på illustrationer:

	Disse tal henviser til de forskellige illustrationer i begyndelsen af brugsanvisningen
	Nummereringen udtrykker arbejdsrindenes rækkefølge på illustrationen og kan afvige fra arbejdsrindene i teksten
	Positionsnumre anvendes i illustrationen <b>Oversigt</b> og refererer til tallene i symbolforklaringen i afsnittet <b>Produktoversigt</b>
	Dette symbol skal sikre skærpet opmærksomhed ved omgang med produktet.

## 1.3 Produktspecifikke symboler

### 1.3.1 Symboler på produktet

Følgende symboler kan forekomme på produktet:

	Brug beskyttelsesbriller
n	Nominelt omdrejningstal
/min	Omdrejninger pr. minut
RPM	Omdrejninger pr. minut
	Diameter
	Jævnstrøm
Li-Ion	Lithium-ion-batteri
	Anvendt <b>HilTI</b> lithium-ion-batteriserie. Overhold oplysningerne i kapitlet <b>Tilsløst anvendelse</b> .
	Brug aldrig batteriet som slagværktøj.
	Lad ikke batteriet falde på gulvet. Brug ikke et batteri, der har fået et slag eller på anden vis er beskadiget.
	Maskinen understøtter NFC-teknologi, som er kompatibel med iOS- og Android-platformer.

## 1.4 Produktoplysninger

**HILTI**-produkter er beregnet til professionel brug og må kun betjenes, efterses og vedligeholdes af autoriseret og instrueret personale. Dette personale skal i særdeleshed informeres om de potentielle farer, der er forbundet med anvendelsen af denne maskine. Der kan opstå farlige situationer ved anvendelse af produktet og det tilhørende udstyr, hvis det anvendes af personer, der ikke er blevet undervist i dens brug, eller hvis det ikke anvendes korrekt i henhold til forskrifterne i denne brugsanvisning.

Typebetegnelse og serienummer fremgår af typeskiltet.



- ▶ Notér serienummeret i den efterfølgende tabel. Du skal bruge produktoplysningerne ved henvendelser til vores lokale afdeling eller vores serviceværksted.

#### Produktoplysninger

Vinkelsliber	AG 125-A22
Generation	02
Serienummer	

### 1.5 Overensstemmelseserklæring

Vi erklærer som eneansvarlige, at det beskrevne produkt er i overensstemmelse med gældende direktiver og standarder. Sidst i dette dokument finder du et billede af overensstemmelseserklæringen.

Den tekniske dokumentation er arkiveret her:

Hilti Entwicklungsgesellschaft mbH | Zulassung Geräte | Hiltistraße 6 | 86916 Kaufering, DE

## 2 Sikkerhed

### 2.1 Sikkerhedsanvisninger

#### 2.1.1 Generelle sikkerhedsanvisninger for elværktøj

**⚠ ADVARSEL! Læs alle sikkerhedsanvisninger og instruktioner.** Hvis sikkerhedsanvisningerne og instruktionerne ikke overholdes, er der risiko for elektrisk stød, brand og/eller alvorlige personskader. Opbevar alle sikkerhedsanvisninger og instruktioner til senere brug.

#### Arbejdspladssikkerhed

- ▶ **Sørg for at holde arbejdsområdet ryddeligt og godt oplyst.** Uorden eller uoplyste arbejdsområder øger faren for uheld.
- ▶ **Brug ikke elværktøj i eksplosionstruede omgivelser, hvor der er brændbare væsker, gasser eller støv.** Elværktøj kan slå gnister, der kan antænde støv eller dampe.
- ▶ **Sørg for, at andre personer og ikke mindst børn holdes væk fra arbejdsområdet, når elværktøjet er i brug.** Hvis man distraheres, kan man miste kontrollen over maskinen.

#### Elektrisk sikkerhed

- ▶ **Undgå kropskontakt med jordforbundne overflader som f.eks. rør, radiatorer, komfurer og køleskabe.** Hvis din krop er jordforbundet, øges risikoen for elektrisk stød.
- ▶ **Elværktøj må ikke udsættes for regn eller fugt.** Indtrængning af vand i elværktøj øger risikoen for elektrisk stød.

#### Personlig sikkerhed

- ▶ **Det er vigtigt at være opmærksom, se, hvad man laver, og bruge elværktøjet fornuftigt. Anvend aldrig elværktøj, hvis du er træt eller påvirket af stoffer, alkohol eller medicin.** Et øjeblikvis uopmærksomhed under brugen af elværktøjet kan medføre alvorlige personskader.
- ▶ **Brug beskyttelsesudstyr, og hav altid beskyttelsesbriller på.** Brug af sikkerhedsudstyr som f.eks. støvmaske, skridsikket fodtøj, beskyttelseshjelm eller høreværn afhængigt af elværktøjets type og anvendelse nedsætter risikoen for personskader.
- ▶ **Undgå utilsigtet igangsætning. Kontrollér, at elværktøjet er frakoblet, før du slutter det til batteriet, tager det op eller transporterer det.** Undgå at bære elværktøjet med fingeren på afbryderen, og sørg for, at det ikke er tændt, når det sluttes til nettet, da dette øger risikoen for personskader.
- ▶ **Fjern indstillingsværktøj eller skruenøgler, inden elværktøjet tændes.** Hvis et stykke værktøj eller en nøgle sidder i en roterende maskindel, er der risiko for personskader.
- ▶ **Undgå at arbejde i unormale kroppsstillinger. Sørg for at stå sikkert, mens der arbejdes, og kom ikke ud af balance.** Det er derved nemmere at kontrollere elværktøjet, hvis der skulle opstå uventede situationer.
- ▶ **Brug egnet arbejdstøj. Undgå løse beklædningsgenstande eller smykker. Hold hår, tøj og handsker væk fra dele, der bevæger sig.** Dele, der er i bevægelse, kan gribe fat i løstsiddende tøj, smykker eller langt hår.
- ▶ **Hvis støvudsugnings- og opsamlingsudstyr kan monteres, er det vigtigt, at dette tilsluttes og benyttes korrekt.** Ved at anvende en støvudsugning er det muligt at nedsætte risiciene som følge af støv.



### Anvendelse og pleje af elværktøjet

- ▶ **Undgå at overbelaste maskinen. Brug altid en maskine, der er beregnet til det stykke arbejde, der skal udføres.** Med det rigtige værktøj arbejder man bedst og mest sikkert inden for det angivne effektområde.
- ▶ **Brug ikke elværktøj, hvis afbryderen er defekt.** En maskine, der ikke kan startes og stoppes, er farlig og skal repareres.
- ▶ **Fjern batteriet, inden du foretager indstillinger, skifter tilbehørsdele eller lægger maskinen væk.** Disse sikkerhedsforanstaltninger forhindrer utilsigtet start af elværktøjet.
- ▶ **Opbevar ubenyttede elværktøjer uden for børns rækkevidde. Lad aldrig personer, der ikke er fortrolige med elværktøjet eller ikke har gennemlæst sikkerhedsanvisningerne benytte dette.** Elværktøj er farligt, hvis det benyttes af ukyndige personer.
- ▶ **Sørg for at pleje elværktøj omhyggeligt. Kontrollér, om bevægelige dele fungerer korrekt og ikke sidder fast, og om delene er brækket eller beskadiget, således at elværktøjets funktion påvirkes. Få beskadigede dele repareret, inden elværktøjet tages i brug.** Mange uheld skyldes dårligt vedligeholdte elværktøjer.
- ▶ **Sørg for, at skæreværktøjer er skarpe og rene.** Omhyggeligt vedligeholdte skæreværktøjer med skarpe skærekanten sætter sig ikke så hurtigt fast og er nemmere at føre.
- ▶ **Anvend elværktøj, tilbehør, indsatsværktøj osv. i overensstemmelse med disse anvisninger. Tag hensyn til arbejdsforholdene og det arbejde, der skal udføres.** I tilfælde af anvendelse af maskinen til formål, som ligger uden for det fastsatte anvendelsesområde, kan der opstå farlige situationer.

### Anvendelse og pleje af batteridrevet elværktøj

- ▶ **Oplad kun batterier i ladere, der er anbefalet af fabrikanten.** Der er risiko for brand, hvis en lader, der er beregnet til et bestemt batteri, anvendes til opladning af en anden batteritype.
- ▶ **Brug kun de batterier, der er beregnet til elværktøjet.** Brug af andre batterier øger risikoen for personskader og er forbundet med brandfare.
- ▶ **Ikke benyttede batterier må ikke komme i berøring med kontorclips, mønter, nøgler, søm, skruer eller andre små metalgenstande, da disse kan kortslutte kontakterne.** En kortslutning mellem batterikontakterne øger risikoen for personskader i form af forbrændinger.
- ▶ **Hvis batteriet anvendes forkert, kan der løbe væske ud af batteriet. Undgå at komme i kontakt med denne væske.** Batterivæske kan give hudirritation eller forbrændinger. Hvis det alligevel skulle ske, skylles med vand. Søg læge, hvis væsken kommer i øjnene.

### Service

- ▶ **Sørg for, at elværktøjet kun repareres af kvalificerede fagfolk, og at der altid benyttes originale reservedele.** Dermed sikres størst mulig elværktøjsikkerhed.

#### 2.1.2 Generelle sikkerhedsanvisninger for slibning, sandpapirslibning, arbejde med trådbørster, polering og skæring:

- ▶ **Dette elværktøj kan anvendes som sliber og skære-/slibemaskine. Overhold alle de sikkerhedsanvisninger, anvisninger, diagrammer og data, som følger med maskinen.** Hvis du ikke overholder følgende anvisninger, kan det medføre elektrisk stød, brand og/eller alvorlige personskader.
- ▶ **Dette elværktøj er ikke egnet til slibning med sandpapir, arbejde med trådbørster og polering.** Anvendelsesformål, som elværktøjet ikke er beregnet til, kan indebære risici og personskader.
- ▶ **Anvend ikke tilbehør, som ikke er specielt beregnet til dette elværktøj og anbefalet af producenten.** Kun hvis du kan montere tilbehøret på elværktøjet, er maskinen sikker at bruge.
- ▶ **Indsatsværktøjets tilladte omdrejningstal skal være mindst lige så højt som det maksimale omdrejningstal angivet på elværktøjet.** Tilbehør, der roterer hurtigere end det tilladte omdrejningstal, kan gå i stykker og slynge dele ud.
- ▶ **Indsatsværktøjets udvendige diameter og tykkelse skal svare til de mål, der er angivet for elværktøjet.** Forkert dimensionerede indsatsværktøjer kan ikke afskærmes eller kontrolleres tilstrækkeligt.
- ▶ **Indsatsværktøjer med gevindindsats skal passe præcist på slibespindelens gevind. Ved indsatsværktøjer, som er monteret med flange, skal indsatsværktøjets hul diameter passe til flangens holdediameter.** Indsatsværktøjer, som ikke fastgøres præcist på elværktøjet, roterer ujævnt, vibrerer utrolig kraftigt og kan medføre, at man mister kontrollen over værktøjet.
- ▶ **Anvend aldrig beskadigede indsatsværktøjer. Kontrollér hver gang før brug indsatsværktøjer såsom slibeskiver for slagmærker og revner, slibetallerkner for revner, slid eller alvorlige skader, samt trådbørster for løse eller brækkede tråde.** Hvis elværktøjet eller indsatsværktøjet falder på gulvet, skal du kontrollere, om det er blevet beskadiget, eller anvende et intakt indsatsværktøj. Når du har kontrolleret og isat indsatsværktøjet, skal du og personer i nærheden blive uden for det roterende indsatsværktøjs fareområde og lade elværktøjet køre med maksimalt omdrejningstal i ét minut. Beskadigede indsatsværktøjer brækker for det meste i løbet af denne testperiode.





- ▶ **Brug personligt beskyttelsesudstyr. Brug ansigtsmaske, øjenværn eller beskyttelsesbriller afhængigt af opgaven. Brug så vidt muligt støvmaske, høreværn, beskyttelseshandsker eller specialforklæde, som beskytter dig imod små slibe- og materialepartikler.** Øjnene skal beskyttes imod flyvende fremmedlegemer, som opstår i forbindelse med forskellige opgaver. Støvmaske og åndedrætsværn skal bortfiltrere det støv, der opstår i forbindelse af den konkrete opgave. Hvis du udsættes for et højt støjniveau igennem længere tid, kan det medføre nedsat hørelse.
- ▶ **Sørg for, at andre personer opholder sig i sikker afstand af dit arbejdsområde. Alle, som befinder sig i arbejdsområdet, skal bære personligt beskyttelsesudstyr.** Brudstykker fra emnet eller beskadigede indsatsværktøjer kan slynges ud og medføre personskader også uden for det direkte arbejdsområde.
- ▶ **Hold kun elværktøjet på de isolerede grebsflader, når du udfører opgaver, hvor indsatsværktøjet kan ramme skjulte strømledninger.** Ved kontakt med en spændingsførende ledning kan også metalliske værktøjsdele sættes under spænding, hvilket kan medføre elektrisk stød.
- ▶ **Hold netkablet væk fra roterende indsatsværktøjer.** Hvis du mister kontrollen over elværktøjet, kan netkablet blive skåret over eller fanges af værktøjet, så din hånd eller arm kommer ind i det roterende indsatsværktøj.
- ▶ **Læg aldrig elværktøjet fra dig, før indsatsværktøjet er standset helt.** Det roterende indsatsværktøj kan komme i kontakt med overfladen på fralægningsstedet, hvilket kan medføre, at du mister kontrollen over elværktøjet.
- ▶ **Lad ikke elværktøjet køre, mens du bærer det fra et sted til et andet.** Dit tøj kan ved en tilfældig kontakt med det roterende indsatsværktøj blive grebet, hvorved indsatsværktøjet kan bore sig ind i din krop.
- ▶ **Rengør regelmæssigt elværktøjets ventilationsåbninger.** Motorblæseren trækker støv ind i huset, og en stor ophobning af metalstøv kan indebære elektriske risici.
- ▶ **Anvend ikke elværktøjet i nærheden af brændbare materialer.** Gnister kan antænde disse materialer.
- ▶ **Anvend ikke indsatsværktøjer, der kræver flydende kølemidler.** Anvendelse af vand eller andre flydende kølemidler kan medføre elektrisk stød.

#### Tilbageslag og tilhørende sikkerhedsanvisninger

Tilbageslag er en pludselig reaktion som følge af et fastsiddende eller blokeret roterende indsatsværktøj, f.eks. slibeskive, slibetalterken, trådbørste etc. Fastklemning eller blokering medfører et omgående stop af det roterende værktøj. Derved accelereres et ukontrolleret elværktøj modsat indsatsværktøjets rotationsretning ved blokeringsstedet.

Når eksempelvis en slibeskive sætter sig fast i et emne eller blokeres, kan den kant af slibeskiven, som arbejder sig ned i emnet, blive hængende og derved brække slibeskiven eller forårsage et tilbageslag. Slibeskiven bevæger sig derefter hen imod brugeren eller væk fra denne, alt efter skivens rotationsretning ved blokeringsstedet. Slibeskiven kan også brække i den forbindelse.

Et tilbageslag er resultatet af ukorrekt eller fejlagtig brug af elværktøjet. Det kan forhindres ved at træffe passende forholdsregler som beskrevet i det følgende.

- ▶ **Hold elværktøjet godt fast, og indtag en position med krop og arme, hvor du kan absorbere eventuelle tilbageslag. Anvend altid det ekstra håndtag, hvis et sådant findes, for at have den størst mulige kontrol over tilbageslag eller reaktionsmomenter ved opstart.** Brugeren kan ved at træffe egnede forholdsregler absorbere tilbageslag og reaktionsmomenter.
- ▶ **Anbring aldrig dine hænder i nærheden af roterende indsatsværktøjer.** Indsatsværktøjet kan i tilfælde af et tilbageslag bevæge sig hen over din hånd.
- ▶ **Undgå at anbringe din krop i det område, hvor elværktøjet bevæges ved tilbageslag.** Tilbageslaget bevæger elværktøjet i den modsatte retning af slibeskivens bevægelse ved blokeringsstedet.
- ▶ **Vær særlig forsigtig ved hjørner, skarpe kanter osv. Undgå, at indsatsværktøj slår tilbage fra emnet og sætter sig fast.** Det roterende indsatsværktøj har en tendens til at sætte sig fast ved hjørner, skarpe kanter eller hvis det preller af. Dette medfører, at du mister kontrollen eller oplever tilbageslag.
- ▶ **Anvend ikke savkæde eller fortandet savklinge.** Sådanne indsatsværktøjer forårsager ofte tilbageslag eller er ofte skyld i, at brugeren mister kontrollen over elværktøjet.

#### Særlige sikkerhedsanvisninger for slibning og skæring:

- ▶ **Anvend altid de slibeskiver, der er godkendt til elværktøjet, og den beskyttelsesafskærmning, der er beregnet til den pågældende slibeskive.** Slibeskiver, som ikke er beregnet til elværktøjet, kan ikke afskærmes tilstrækkeligt og er ikke sikre.
- ▶ **Forkrøpede slibeskiver skal monteres, så deres slibeflade ikke rager ud over kanten af beskyttelsesafskærmningen.** En forkert monteret slibeskive, som rager ud over kanten af beskyttelsesafskærmningen, kan ikke afskærmes på tilstrækkelig vis.
- ▶ **Beskyttelsesafskærmningen skal være monteret på elværktøjet på sikker vis og af hensyn til en optimal sikkerhed være indstillet på en sådan måde, at brugeren har mindst mulig adgang til**



**slibeskiven.** Beskyttelsesafskærmningen er med til at beskytte brugeren mod brudstykker, tilfældig kontakt med slibeskiven samt gnister, som kan antænde brugerens tøj.

- ▶ **Slibeskiver må kun anvendes til de anbefalede formål. For eksempel: Slib aldrig med den flade side på en skæreskive.** Skæreskiver er beregnet til at fjerne materiale med kanten af skiven. Hvis en skive påvirkes på siden, kan det medføre, at den brækker.
- ▶ **Anvend altid intakte spændeflanger i korrekt størrelse og form til den valgte slibeskive.** Egnede flanger støtter slibeskiven og nedsætter dermed risikoen for at brække slibeskiven. Flanger til skæreskiver kan adskille sig fra flanger til andre slibeskiver.
- ▶ **Anvend aldrig slidte slibeskiver fra større elværktøjer.** Slibeskiver til større elværktøjer er ikke dimensioneret til de højere omdrejningstal, der kendetegner mindre elværktøjer, og kan brække som følge deraf.

#### Yderligere særlige sikkerhedsanvisninger for skæring:

- ▶ **Undgå blokering af skæreskiven eller et for stort tryk på skiven. Foretag ikke for dybe snit.** En overbelastning af skæreskiven forøger spændingen og tendensen til at sætte sig fast eller blokere og øger dermed risikoen for tilbageslag eller et brud på slibeskiven.
- ▶ **Hold dig i sikker afstand af området foran og bag ved den roterende skæreskive.** Hvis du bevæger skæreskiven i emnet væk fra dig, kan elværktøjet med den roterende skæreskive i tilfælde af et tilbageslag blive kastet direkte tilbage på dig.
- ▶ **Hvis skæreskiven sætter sig fast, eller du afbryder arbejdet, skal du slukke elværktøjet og holde det stille, indtil skiven er standset. Forsøg aldrig at trække den roterende skæreskive ud af sporet, da dette kan medføre tilbageslag.** Find og afhjælp årsagen til fastklemningen.
- ▶ **Tænd ikke elværktøjet, så længe det befinder sig i emnet. Lad skæreskiven komme op på maksimalt omdrejningstal, før du fortsætter skæringen forsigtigt.** I modsat fald kan skiven sætte sig fast, springe op fra emnet eller medføre tilbageslag.
- ▶ **Sørg for at understøtte plader eller store emner for at nedsætte risikoen for tilbageslag som følge af en fastklemt skæreskive.** Store emner kan bøje meget som følge af egen vægt. Emnet skal understøttes på begge sider, og det både i nærheden af snittet og ved kanten.
- ▶ **Vær især forsigtig ved "dyksavning" i eksisterende vægge eller andre områder, hvor du ikke kan se, hvad der befinder sig bag overfladen.** Skæreskiven, der sænkes ned i emnet, kan, hvis den skærer gas- og vandrør, elektriske ledninger eller andre genstande over, medføre tilbageslag.

### 2.1.3 Yderligere sikkerhedsanvisninger

#### Personlig sikkerhed

- ▶ Anvend kun produktet i teknisk fejlfri stand.
- ▶ Foretag aldrig manipulationer eller ændringer på maskinen.
- ▶ Undgå berøring af roterende dele - fare for personskader!
- ▶ Brug også beskyttelseshandsker, når du skifter værktøj. Berøring af indsatsværktøjet kan medføre snitsår og forbrændinger.
- ▶ Find ud af, hvilken fareklasse det støv, der opstår ved arbejdet, har, inden du går i gang med arbejdet. Anvend en industristøvsgiver med en officielt tilladt beskyttelsesklassificering, som opfylder de lokale støvbeskyttelsesbestemmelser. Støv fra materialer såsom blyholdig maling, visse træsorter, beton / murværk / natursten, som indeholder kvarts, og mineraler samt metal kan være sundhedsfarlige.
- ▶ Sørg for en god ventilation af arbejdspladsen, og brug om nødvendigt et åndedrætsværn, som egner sig til den pågældende støvtype. Berøring eller indånding af støv kan medføre allergiske reaktioner og/eller luftvejssygdomme hos brugeren eller personer, der opholder sig i nærheden. Bestemte støvtyper, f.eks. støv fra ege- og bøgetræ, er kræftfremkaldende, især i forbindelse med tilsætningsstoffer til træbehandling (krømat, træbeskyttelsesmidler). Asbestholdige materialer må kun håndteres af fagfolk.
- ▶ Hold pauser under arbejdet, og lav øvelser, så dine fingre får en bedre blodgennemstrømning. Ved længerevarende arbejde kan vibrationer medføre forstyrrelser af fingrenes, hændernes eller håndledenes blodkar og nervesystem.

#### Elektrisk sikkerhed

- ▶ Kontrollér før påbegyndelse af arbejdet arbejdsområdet for skjulte elektriske ledninger, gas- og vandrør, f.eks. med en metaldetektor. Udvendige metaldele på maskinen kan medføre elektrisk stød, hvis du ved en fejl kommer til at beskadige en elledning.

#### Omhyggelig omgang med og brug af elværktøj

- ▶ Anvend ikke skæreskiver til skrubning.
- ▶ Spænd indsatsværktøjet og flangen. Hvis indsatsværktøjet og flangen ikke spændes godt fast, er der efter slukning mulighed for, at indsatsværktøjet løsner sig fra spindlen ved bremsning via motoren.
- ▶ Overhold producentens anvisninger for håndtering og opbevaring af slibeskiver.

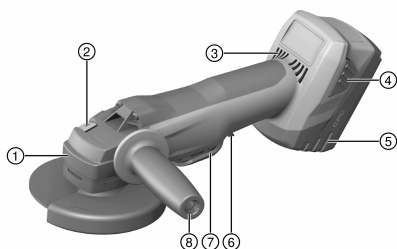


### 2.1.4 Omhyggelig omgang med og brug af batterier

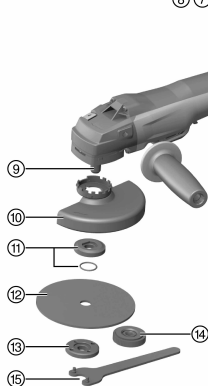
- ▶ Læs de særlige retningslinjer for transport, opbevaring og brug af lithium-ion-batterier.
- ▶ Hold batterier på sikker afstand af høje temperaturer, direkte solindstråling og ild.
- ▶ Batterierne må ikke adskilles, klemmes, opvarmes til over 80 °C eller brændes.
- ▶ Anvend og oplad ikke batterier, som har fået et slag, er faldet på gulvet fra mere end en meters højde eller på anden vis er blevet beskadiget. Kontakt i så fald altid **Hilti Service**.
- ▶ Hvis batteriet er for varmt til at kunne røres, kan det være defekt. Placer produktet på et ikke-brændbart sted i tilstrækkelig afstand til brændbare materialer, hvor det er muligt at holde øje med det, og lad det køle af. Kontakt i så fald altid **Hilti Service**.

## 3 Beskrivelse

### 3.1 Produktoversigt



- ① Frigøringsknap, afskærmning
- ② Spindelåseknap
- ③ Ventilationsåbninger
- ④ Frigøringsknap med ekstrafunktion til aktivering af ladetilstandsvisning
- ⑤ Batteri
- ⑥ Startspærre
- ⑦ Afbryder on/off
- ⑧ Vibrationsdæmpet sidegreb
- ⑨ Spindel
- ⑩ Standardbeskyttelsesafskærmning
- ⑪ Spændeflange med O-ring
- ⑫ Skæreskive / Skrubbeskive
- ⑬ Spændemøtrik
- ⑭ Hurtigspændemøtrik **Kwik lock** (ekstratilbehør)
- ⑮ Spændenøgle



### 3.2 Bestemmelsesmæssig anvendelse

Det beskrevne produkt er en håndført batteridrevet vinkelsliber. Den er beregnet til skæring og skrubning af metalliske og mineralske materialer samt til boring i fliser uden anvendelse af vand. Den må kun anvendes til tørslibning/-skæring.

- Skæring, rilning og skrubslibning af mineralske materialer er kun tilladt ved anvendelse af passende beskyttelsesafskærmning (fås som ekstratilbehør).
- Ved bearbejdning af mineralske underlag som beton eller sten skal der anvendes en støvudsugnings-skærm sammen med en egnet **Hilti**-støvsuger.
- ▶ Anvend kun **Hilti** lithium-ion-batterier i typeserien B 22 til dette produkt.
- ▶ Anvend kun **Hilti** ladere i C4/36-serien til disse batterier.

### 3.3 Leveringsomfang

Vinkelsliber, sidegreb, standardbeskyttelsesafskærmning, frontafdækning, spændeflange, spændemøtrik, spændenøgle, brugsanvisning.



### 3.4 Temperaturafhængig maskinbeskyttelse

Det temperaturafhængige motorværn overvåger strømforbrug samt motoropvarmning og beskytter på den måde maskinen mod overophedning.

Ved overbelastning af motoren som følge af for højt tryk nedsættes maskinens ydelse mærkbart, eller måske standser maskinen.

I tilfælde af stilstand eller et fald i omdrejningstallet på grund af en overbelastning skal du aflaste maskinen og lade den køre i ca. 30 sekunder ved tomgangshastighed.

### 3.5 Beskyttelsesafskærmning med afdækning foran

**Til skrubning med lige skrubbeskiver og til skæring med skæreskiver ved bearbejdning af metalliske materialer skal standardbeskyttelsesafskærmningen med frontafdækning altid anvendes.**

### 3.6 Støvskaerm (skæring) DC-EX 125/5" C Kompakt skaerm (tilbehør)

Til skæring af mineralske underlag med diamantskære-/slibeskiver skal den kompakte skaerm DC-EX 125/5" C anvendes.

**FORSIGTIG** Det er ikke tilladt at bearbejde metal med denne afskaermning.

### 3.7 Støvskaerm (slibning) DG-EX 125/5" (tilbehør)

Slibesystemet er kun beregnet til lejlighedsvis slibning af mineralske underlag med diamant-kopskiver.

**FORSIGTIG** Det er ikke tilladt at bearbejde metal med denne afskaermning.

### 3.8 Ladetilstandsvisning på lithium-ion-batteri

Lithium-ion-batteriets ladetilstand vises efter berøring af de to batterifrigøringsknapper.

Tilstand	Betydning
4 lysdioder.	Ladetilstand: 75 % til 100 %
3 lysdioder lyser.	Ladetilstand: 50 % til 75 %
2 lysdioder lyser.	Ladetilstand: 25 % til 50 %
1 lysdiode lyser.	Ladetilstand: 10 % til 25 %
1 lysdiode blinker.	Ladetilstand: < 10 %

Under arbejdet og lige efter er det ikke muligt at få vist ladetilstanden. Hvis lysdioderne på batteriets ladetilstandsindikator blinker, henvises til beskrivelsen i kapitlet Fejlafhjælpning.

## 4 Forbrugsstoffer

Der må kun anvendes kunstharpiksbundne fiberarmerede skiver til maks. Ø 125 mm, som er godkendt til et omdrejningstal på mindst 11.000/min og en omfangshastighed på 80 m/s.

Skivetykkelsen må være maks. 6,4 mm ved skrubbeslibeskiver og maks. 3 mm ved skæring.

**VIGTIGT! Anvend altid standardbeskyttelsesafskærmningen med ekstra frontafdækning eller en helt lukket støvskaerm ved skæring og rilning med skæreskiver.**

### Skiver

	Anvendelse	Kort betegnelse	Underlag
Abrasiv skæreskive	Skæring, rilning	AC-D	metallisk
Diamantskæreskive	Skæring, rilning	DC-TP, DC-D (SPX, SP, P)	mineralsk
Abrasiv skrubbeskive	Skrubning	AG-D, AF-D, AN-D	metallisk
Diamantskrubbeskive	Skrubning	DG-CW (SPX, SP, P)	mineralsk
Diamantborekrone	Fliseboring	DD-M14	mineralsk



**Tilknytning af skiverne til det udstyr, der skal anvendes**

Pos.	Udstyr	AC-D	AG-D	AF-D	AN-D	DG-CW	DC-D	DD-M14
A	Beskyttelsesafsikrning	X	X	X	X	X	X	X
B	Frontafdækning i forbindelse med A)	X	-	—	—	—	X	—
C	Støvskaerm (slibning) DG-EX 125/5"	—	—	—	—	X	—	—
D	Støvskaerm (skaering) DC-EX 125/5"C (i forbindelse med A)	—	—	—	—	—	X	—
E	Sidegreb	X	X	X	X	X	X	X
F	Bøjlegreb DCBG 125 (ekstratilbehør til E)	X	X	X	X	X	X	X
G	Spændemøtrik	X	X	X	X	X	X	—
H	Spændeflange	X	X	X	X	X	X	—
I	<b>Kwik lock</b> (ekstratilbehør til G)	X	X	X	X	—	X	—

**5 Tekniske data**

	<b>AG 125-A22</b>
<b>Nominal spænding</b>	21,6 V
<b>Nominalt omdrejningstal</b>	9.500/min
<b>Maks. skivediameter</b>	125 mm
<b>Vægt i henhold til EPTA Procedure 01 inklusive batteri B228.0</b>	3,3 kg
<b>Gevindrevspindel</b>	M14
<b>Spindellængde</b>	22 mm

**5.1 Støjinformation og vibrationsværdier iht. EN 60745**

Lydtryk- og vibrationsværdier i denne brugsanvisning er målt i henhold til en standardiseret målemetode og kan anvendes til sammenligning af forskellige elværktøjer. De kan også anvendes til en foreløbig vurdering af den eksponering, brugeren udsættes for. De anførte data repræsenterer elværktøjets primære anvendelsesformål. Hvis elværktøjet imidlertid anvendes til andre formål, med andre indsatsværktøjer eller utilstrækkelig vedligeholdelse, kan dataene afvige. Dette kan forøge den eksponering, som brugeren udsættes for, i hele arbejdstiden markant. For at opnå en præcis vurdering af den eksponering, som brugeren udsættes for, bør også den tid, hvor maskinen er slukket eller blot kører uden at blive anvendt, inddrages. Dette kan reducere den eksponering, som brugeren udsættes for, i hele arbejdstiden markant. Fastlæg yderligere sikkerhedsforanstaltninger til beskyttelse af brugeren mod støj- og/eller vibrationspåvirkninger, f.eks. er det vigtigt at vedligeholde elværktøj og indsatsværktøj, at holde hænderne varme og at organisere arbejdsprocesserne.

**Støjinformation**

<b>Lydtrykniveau (<math>L_{pA}</math>)</b>	83 dB(A)
<b>Usikkerhed, lydtrykniveau (<math>K_{pA}</math>)</b>	3 dB(A)
<b>Lydeffektniveau (<math>L_{WA}</math>)</b>	94 dB(A)
<b>Usikkerhed, lydeffektniveau (<math>K_{WA}</math>)</b>	3 dB(A)

**Vibrationsoplysninger**

Andre anvendelsesformål, f.eks. skaering, kan medføre andre vibrationsværdier.

<b>Overfladeslibning med vibrationsreduceret greb (<math>a_{hAG}</math>)</b>	3,8 m/s <sup>2</sup>
<b>Usikkerhed (K)</b>	1,5 m/s <sup>2</sup>



## 5.2 Batteri

Batteriets driftsspænding	21,6 V
Omgivende temperatur under drift	-17 °C ... 60 °C
Opbevaringstemperatur	-20 °C ... 40 °C
Batteriets temperatur ved start af ladning	-10 °C ... 45 °C

## 6 Ibrugtagning

### 6.1 Ilægning af batteri 5

#### FORSIGTIG

**Fare for personskader** på grund af utilsigtet start af vinkelsliberen.

- ▶ Kontrollér, at vinkelsliberen er slukket, og at startspærren er aktiveret, inden batteriet sættes i.

#### FORSIGTIG

**Elektriske risici.** Kortslutning kan forekomme på grund af snavsede kontakter.

- ▶ Kontrollér, at batteriets kontakter og kontakterne på vinkelsliberen er fri for fremmedlegemer, inden du sætter batteriet i maskinen.

#### FORSIGTIG

**Fare for personskader** Hvis batteriet ikke er isat korrekt, kan det falde ud af maskinen og ned på gulvet.

- ▶ Kontrollér, at batteriet sidder sikkert i maskinen, så det ikke falder ned på gulvet til fare for dig selv og andre.
- ▶ Ilæg batteriet, og kontrollér, at det sidder korrekt i maskinen.

### 6.2 Udtagning af batteri 6

- ▶ Tag batteriet ud.

### 6.3 Montering af sidegreb

- ▶ Skru sidegrebet fast på et af de dertil beregnede gevindbøsninger.

### 6.4 Montering og afmontering af beskyttelsesafskærmning

#### FORSIGTIG

**Fare for personskader** Indsatsværktøjet kan være meget varmt eller have skarpe kanter.

- ▶ Brug beskyttelseshandsker i forbindelse med montering, afmontering, indstilling og fejlafhjælpning.
- ▶ Læs monteringsvejledningen for den pågældende beskyttelsesafskærmning.

#### 6.4.1 Montering af beskyttelsesafskærmning 7



Beskyttelsesafskærmningen er forsynet med en låseanordning, som sikrer, at kun en beskyttelsesafskærmning, som passer til maskinen, kan monteres. Beskyttelsesafskærmningen kan føres ind i styrerillen på maskinens afskærmningsholder.

1. Sæt beskyttelsesafskærmningen på spindelhalsen, så de to trekantmarkeringer på beskyttelsesafskærmningen og maskinen står over for hinanden.
2. Tryk beskyttelsesafskærmningen på spindelhalsen;
3. tryk på frigøringsknappen til afskærmningen.
4. Drej beskyttelsesafskærmningen, indtil den går i indgreb, og frigøringsknappen til afskærmningen springer tilbage.

#### 6.4.2 Justering af beskyttelsesafskærmningen

- ▶ Tryk på frigøringsknappen til afskærmningen, og drej den, indtil afskærmningen går i den ønskede position.



### 6.4.3 Afmontering af beskyttelsesafskærmningen

1. Tryk på frigøringsknappen, og drej beskyttelsesafskærmningen, indtil de to trekantmarkeringer på beskyttelsesafskærmningen og maskinen står over for hinanden.
2. Tag beskyttelsesafskærmningen af.

## 6.5 Montering og afmontering af frontafdækning



Hvis du anvender frontafdækningen, sættes den på beskyttelsesafskærmningen.

1. Sæt frontafdækningen med den lukkede side på standardbeskyttelsesafskærmningen, indtil låsemekanismen går i indgreb.
2. Afmontering sker ved at løsne frontafdækningens låsemekanisme og trække denne af standardbeskyttelsesafskærmningen.

## 6.6 Positionering af støvskærm (skæring) DC-EX 125/5" C

- Positionér den kompakte skærm, så afbryderen til enhver tid er frit tilgængelig og kan betjenes.

## 6.7 Montering og afmontering af indsatsværktøj



### FORSIGTIG

**Fare for personskader** Indsatsværktøjet kan være varmt.

- Brug beskytteshandsker ved skift af indsatsværktøjet.



Diamantskiver skal udskiftes, så snart skære- eller slibeydelsen falder mærkbart. Generelt er dette tilfældet, når diamantsegmenternes højde er lavere end 2 mm.

Andre skivetyper skal udskiftes, når skæreydelsen falder mærkbart, eller dele af vinkelsliberen (med undtagelse af skiven) kommer i kontakt med arbejdsmaterialet under arbejdet.

Abrasive skiver skal udskiftes, når deres udløbsdato er nået.

### 6.7.1 Montering af indsatsværktøj

1. Tag batteriet ud. → Side 24
2. Kontrollér, om O-ringen er ubeskadiget og på plads i spændeflangen.

#### Resultat

O-ringen er beskadiget.

Der er ikke nogen O-ring i spændeflangen.

- Isæt en ny spændeflange med O-ring.

3. Sæt spændeflangen på spindlen, så den sidder formluttende og er sikret mod at vride sig.
4. Monter indsatsværktøjet.



### ADVARSEL

**Fare for personskader** Ved bremsning af maskinens motor kan indsatsværktøjet løsne sig.

- Vent, indtil indsatsværktøjet er standset, før du berører indsatsværktøjet eller spændemøtrikken.
- Spænd indsatsværktøjet og spændeflangen så fast med spændemøtrikken, at ingen dele på spindlen kan løsne sig ved bremsning af maskinens motor.

5. Spænd spændemøtrikken, der passer til det isatte indsatsværktøj.
6. Tryk på spindellåseknappen, og hold den inde.
7. Spænd spændemøtrikken med spændenøglen, slip derefter spindellåseknappen, og fjern spændenøglen.

### 6.7.2 Afmontering af indsatsværktøj

1. Tag batteriet ud. → Side 24



### FORSIGTIG

**Fare for bud og beskadigelse.** Hvis der trykkes på spindellåseknappen, mens spindlen roterer, kan indsatsværktøjet løsne sig.

- Tryk kun på spindellåseknappen, når spindlen er standset.

2. Tryk på spindellåseknappen, og hold den inde.



3. Løsn spændemøtrikken ved at sætte spændenøglen på og dreje den mod uret.
4. Slip spindellåseknappen, og fjern indsatsværktøjet.


### 6.7.3 Montering af indsatsværktøj med **Kwik lock**-hurtigspændemøtrik **11**

#### **FORSIGTIG**

**Fare for brud.** **Kwik lock**-hurtigspændemøtrikken kan brække, hvis den er meget slidt.

- ▶ Pas på, at **Kwik lock**-hurtigspændemøtrikken ikke får kontakt med underlaget under arbejdet.
- ▶ Anvend ikke beskadigede **Kwik lock**-hurtigspændemøtrikker.

---

 **Kwik lock**-hurtigspændemøtrikken (ekstratilbehør) kan anvendes i stedet for spændemøtrikken. På den måde kan du skifte indsatsværktøjer uden brug af ekstra værktøj.

---

1. Tag batteriet ud. → Side 24
2. Rengør spændeflansen og hurtigspændemøtrikken.
3. Sæt spændeflansen på spindlen.
4. Monter indsatsværktøjet.
5. Skru **Kwik lock**-hurtigspændemøtrikken på, indtil den hviler mod indsatsværktøjet.
  - ▶ Teksten **Kwik lock** kan ses i løsnet tilstand.
6. Tryk på spindellåseknappen, og hold den inde.
7. Drej indsatsværktøjet kraftigt videre i urets retning med hånden, indtil **Kwik-Lock**-hurtigspændemøtrikken er spændt godt fast, og slip derefter spindellåseknappen.

### 6.7.4 Afmontering af indsatsværktøj med **Kwik lock**-hurtigspændemøtrik


1. Tag batteriet ud. → Side 24

#### **FORSIGTIG**

**Fare for bud og beskadigelse.** Hvis der trykkes på spindellåseknappen, mens spindlen roterer, kan indsatsværktøjet løsne sig.

- ▶ Tryk kun på spindellåseknappen, når spindlen er standset.
- 
2. Tryk på spindellåseknappen, og hold den inde.
  3. Løsn **Kwik lock**-hurtigspændemøtrikken ved at dreje den mod uret med hånden.
  4. Hvis **Kwik lock**-hurtigspændemøtrikken ikke kan løses med hånden, skal du anvende en spændenøgle og dreje den mod uret.

---

 Anvend aldrig en rørtang, så **Kwik lock**-hurtigspændemøtrikken ikke bliver beskadiget.

---

5. Slip spindellåseknappen, og fjern indsatsværktøjet.

### 6.7.5 Montering af borekrone **12**

1. Tag batteriet ud. → Side 24
2. Monter sidegrebet. → Side 24
3. Monter beskyttelsesafsikrningen. → Side 24
4. Sæt borekronen på, og skru den fast med hånden.
5. Tryk på spindellåseknappen, og hold den inde.
6. Spænd borekronen med en egnet gaffelnøgle.
7. Slip derefter spindellåseknappen, og fjern gaffelnøglen.

## 7 Betjening

---

### 7.1 Slibning

#### **FORSIGTIG**

**Fare for personskader** Indsatsværktøjet kan pludselig blokere eller sætte sig fast.

- ▶ Anvend kun maskinen med påmonteret sidegreb (med bøjlegreb som ekstratilbehør), og hold altid maskinen med begge hænder.
- 





## 7.2 Skæring

- ▶ Ved skæring skal du arbejde med moderat fremføring og sørge for, at maskinen eller skæreskiven ikke sætter sig fast (arbejdspositionen er ca. 90° i forhold til skæreplanet).



Profil og små firkantet skæres bedst ved, at skæreskiven sættes på ved det mindste tværsnit.

## 7.3 Skrubning



### FORSIGTIG

**Fare for personskader** Skæreskiven kan revne og afrevne dele kan medføre personskader.

- ▶ Anvend aldrig skæreskiver til skrubning.
- ▶ Bevæg maskinen frem og tilbage i en vinkel på mellem 5° og 30°.
  - ▶ Emnet bliver ikke for varmt eller misfarvet, og der opstår ikke riller.

## 7.4 Tænding ved afbryder med startspærre



Ved hjælp af afbryderen med startspærre kan du kontrollere kontaktfunktionen og forhindre utilsigtet start af maskinen.

1. Tryk startspærren fremad.
  - ▶ Afbryderen frigøres.
2. Tryk afbryderen helt ind.
  - ▶ Maskinens motor kører i tomgang.

## 7.5 Slukning ved afbryder med startspærre

- ▶ Slip afbryderen.
  - ▶ Startspærren springer automatisk i låseposition.

## 8 Rengøring og vedligeholdelse



### ADVARSEL

**Fare for personskader ved isat batteri !**

- ▶ Fjern altid batteriet før alle pleje- og vedligeholdelsesarbejder!

### Pleje af produktet

- Fjern forsigtigt fastsiddende snavs.
- Rengør forsigtigt ventilationsåbningerne med en tør børste.
- Rengør kun kabinettet med en let fugtet klud. Undlad at anvende silikoneholdige plejemidler, da de kan angribe plastdelene.

### Pleje af lithium-ion-batterier

- Sørg for at holde batteriet tørt og fri for olie og fedt.
- Rengør kun kabinettet med en let fugtet klud. Undlad at anvende silikoneholdige plejemidler, da de kan angribe plastdelene.
- Undgå indtrængen af fugt.

### Vedligeholdelse

- Kontrollér regelmæssigt alle synlige dele for skader, og at betjeningselementerne fungerer fejlfrit.
- Anvend ikke produktet i tilfælde af beskadigelse og/eller funktionsfejl. Få omgående udført reparation hos **Hilti Service**.
- Monter alle beskyttelsesordninger efter pleje- og vedligeholdelsesarbejder, og kontrollér dem for funktion.



Anvend kun originale reservedele og forbrugsmaterialer af hensyn til en sikker drift. Reservedele, forbrugsmaterialer og tilbehør til dit produkt, som vi har godkendt, finder du i dit **Hilti Store Center** eller under: **www.hilti.group**.



## 9 Transport og opbevaring af batteridrevne maskiner

### Transport

#### FORSIGTIG

#### Utsigtsigt start ved transport !

- ▶ Transportér altid dine produkter uden isat batteri!
- ▶ Tag batteriet ud.
- ▶ Transportér aldrig batterier liggende løst og ubeskyttet.
- ▶ Kontrollér maskine og batterier for skader før ibrugtagning efter længere transport.

### Opbevaring

#### FORSIGTIG

#### Utsigtsigt beskadigelse på grund af defekte eller utætte batterier !

- ▶ Opbevar altid dine produkter uden isat batteri!
- ▶ Opbevar maskine og batterier så køligt og tørt som muligt.
- ▶ Opbevar aldrig batterier i direkte sollys, på radiatorer eller i et vindue.
- ▶ Opbevar maskine og batterier utilgængeligt for børn og uvedkommende personer.
- ▶ Kontrollér maskine og batterier for skader før ibrugtagning efter længere tids opbevaring.

## 10 Fejlafhjælpning

Ved fejl, som ikke fremgår af denne tabel, eller som du ikke selv kan afhjælpe, beder vi dig om at kontakte **Hilti Service**.

### 10.1 Fejlsøgning

Fejl	Mulig årsag	Løsning
Batteriet aflades hurtigere end normalt.	Meget lav omgivende temperatur.	▶ Lad batteriet varme langsomt op til rumtemperatur.
Batteriet går ikke i indgreb med et tydeligt klik.	Låsetapperne på batteriet er beskidte.	▶ Rengør holdetapperne, og bring batteriet i indgreb igen.
1 lysdiode blinker. Maskinen virker ikke.	Batteriet er afladet.	▶ Udskift batteriet, og oplad det tomme batteri.
	Batteriet er for koldt eller for varmt.	▶ Lad batteriet varme langsomt op eller køle langsomt ned til rumtemperatur.
Alle 4 lysdioder blinker. Maskinen virker ikke.	Maskinen er overbelastet.	▶ Slip afbryderen, og betjen den igen. Lad derefter maskinen køre uden belastning i ca. 30 sekunder.
Kraftig varmeudvikling i vinkelsliber eller batteri.	Elektrisk defekt	▶ Sluk omgående maskinen, tag batteriet ud, hold øje med det, lad det køle af, og kontakt <b>Hilti Service</b> .
Maskinen har ikke fuld ydelse.	Batteri med for lille kapacitet isat.	▶ Anvend et batteri med tilstrækkelig kapacitet.
Motoren har ingen bremsefunktion.	Batteriet er afladet.	▶ Udskift batteriet, og oplad det tomme batteri.
	Maskinen er kortvarigt overbelastet.	▶ Slip afbryderen, og betjen den igen.

## 11 Bortskaffelse

Størstedelen af de materialer, som anvendes ved fremstillingen af **Hilti**-produkter, kan genvindes. Materialerne skal sorteres, før de kan genvindes. I mange lande modtager **Hilti** dine udtjente instrumenter med henblik på genvinding. Spørg **Hilti** kundeservice eller din forhandler.



### Bortskaffelse af batterier

Som følge af ukorrekt bortskaffelse af batterier kan der opstå sundhedsfare på grund af lækkende gasser eller væsker.

- ▶ Beskadigede batterier må under ingen omstændigheder sendes!
- ▶ Tildæk kontakterne med et ikke-ledende materiale, så kortslutninger undgås.
- ▶ Bortskaf batterier på en sådan måde, at børn ikke kan få fat på dem.
- ▶ Bortskaf batteriet hos din **Hilti Store**, eller henvend dig til det ansvarlige renovationsfirma.



- ▶ Elværktøj, elektriske maskiner og batterier må ikke bortskaffes sammen med almindeligt husholdningsaffald!

## 12 RoHS (direktiv til begrænsning af anvendelsen af farlige stoffer)

Under følgende links finder du tabellen med farlige stoffer: [qr.hilti.com/r3958236](http://qr.hilti.com/r3958236).

Et link til RoHS-tabellen finder du i slutningen af denne dokumentation som QR-kode.

## 13 Producentgaranti

- ▶ Hvis du har spørgsmål vedrørende garantibetingelserne, bedes du henvende dig til din lokale **Hilti**-partner.

# Originalbruksanvisning

## 1 Uppgifter för dokumentation

### 1.1 Om denna dokumentation

- Läs denna dokumentation innan du börjar ta enheten i drift. Det är en förutsättning för säkert arbete och problemfri hantering.
- Observera de säkerhets- och varningsanvisningar som du hittar i dokumentationen och på själva enheten.
- Förvara alltid bruksanvisningen tillsammans med produkten och överlämna aldrig produkten till någon annan utan att bifoga den.

### 1.2 Teckenförklaring

#### 1.2.1 Varningar

Varningarna är till för att varna för risker i samband med användning av produkten. Följande riskindikeringar används:

#### FARA

**FARA !**

- ▶ Anger överhängande risker som kan leda till svåra personskador eller dödsolycka.

#### VARNING

**VARNING !**

- ▶ Anger potentiella risker som kan leda till svåra personskador eller dödsfall.

#### FÖRSIKTIGHET

**FÖRSIKTIGHET !**

- ▶ Används för att fästa uppmärksamhet på en potentiell risksituation som kan leda till skador på person eller utrustning.

#### 1.2.2 Symboler i dokumentationen

I den här dokumentationen används följande symboler:



	Läs bruksanvisningen före användning
	Anmärkningar och annan praktisk information
	Hantering av återvinningsbara material
	Elverktyg och batterier får inte kastas i hushållssoporna

### 1.2.3 Symboler i bilderna

Följande symboler används i bilder:

	Dessa siffror hänvisar till motsvarande bild i början av bruksanvisningen
	Numreringen återger ordningsföljden hos arbetsmomenten på bilden och kan skilja sig från arbetsmomenten i texten
	På bilden <b>Översikt</b> används positionsnummer som hänvisar till siffrorna i teckenförklaringen i avsnittet <b>Produktöversikt</b>
	Det här tecknet är till för att du ska vara extra uppmärksam på något som gäller hur du hanterar produkten.

## 1.3 Produktspecifika symboler

### 1.3.1 Symboler på produkten

Följande symboler kan förekomma på produkten:

	Använd skyddsglasögon
n	Mätvarvtal
/min	Varv per minut
RPM	Varv per minut
	Diameter
	Likström
Li-Ion	Litiumjonbatteri
	<b>Hilti-litiumjonbatteriserie som används. Observera uppgifterna i kapitlet <b>Avsedd användning</b>.</b>
	Använd aldrig batteriet som slagverktyg.
	Låt inte batteriet falla ner på marken. Använd inte batterier som har utsatts för slag eller på annat sätt har skadats.
	Instrumentet stöder NFC-teknik, som är kompatibel med iOS- och Android-plattformar.

## 1.4 Produktinformation

-produkter är avsedda för professionella användare och får endast användas, underhållas och repareras av auktoriserad, utbildad personal. Personalen måste vara särskilt informerad om de risker som finns. Produkten och dess tillbehör kan utgöra en risk om den används på ett felaktigt sätt av utbildad personal eller inte används enligt föreskrifterna.

Typbeteckning och serienummer anges på typskylten.



- ▶ Använd de serienummer som anges i följande tabell. Du behöver produktuppgifterna när du kontaktar vår återförsäljare eller serviceverkstad.

#### Produktdetaljer

Vinkelslip	AG 125-A22
Generation	02
Serienr	

### 1.5 Försäkran om överensstämmelse

Vi försäkrar på eget ansvar att den produkt som beskrivs här överensstämmer med gällande direktiv och standarder. En bild på försäkran om överensstämmelse hittar du i slutet av dokumentationen.

Den tekniska dokumentationen finns sparad här:

Hilti Entwicklungsgesellschaft mbH | Zulassung Geräte | Hiltistraße 6 | 86916 Kaufering, Tyskland

## 2 Säkerhet

### 2.1 Säkerhetsföreskrifter

#### 2.1.1 Allmänna säkerhetsföreskrifter för elverktyg

**⚠️ WARNING! Läs alla säkerhetsföreskrifter och anvisningar.** Om säkerhetsföreskrifterna och anvisningarna inte följs finns risk för elektriska stötar, brand och/eller svåra skador.

Förvara alla säkerhetsföreskrifter och anvisningarna på ett säkert ställe för framtida användning.

#### Säker arbetsmiljö

- ▶ **Håll arbetsområdet rent och väl belyst.** Oordning eller bristfällig belysning på arbetsplatsen kan leda till olyckor.
- ▶ **Arbeta inte med elverktøyet i omgivelser med explosionsrisk där det finns brännbara vätskor, gaser eller damm.** Elverktøyet alstrar gnistor som kan antända dammet eller gaserna.
- ▶ **Håll barn och obehöriga personer på betryggande avstånd under arbetet med elverktøyet.** Om du störs av obehöriga personer kan du förlora kontrollen över verktøyet.

#### Elektrisk säkerhet

- ▶ **Undvik kroppskontakt med jordade ytor som rör, värmeelement, spisar och kylskåp.** Det finns en större risk för elstötter om din kropp är jordad.
- ▶ **Skydda elverktøyet från regn och väta.** Tränger vatten in i ett elverktøyet ökar risken för elstötter.

#### Personsäkerhet

- ▶ **Var uppmärksam, se upp med vad du gör och använd elverktøyet med förnuft. Använd aldrig elverktøyet om du är trött eller påverkad av droger, alkohol eller medicin.** En kort sekund av bristande uppmärksamhet när du arbetar med ett elverktøyet kan leda till att du skadar dig själv eller någon annan svårt.
- ▶ **Bär alltid personlig skyddsutrustning och skyddsglasögon.** Genom att använda personlig skyddsutrustning som t.ex. dammskyddsmask, halkfria säkerhetsskor, hjälm eller hörselskydd, beroende på vilket elverktøyet du använder och till vad, minskar du risken för kroppsskada.
- ▶ **Undvik oavsiktlig igångsättning. Kontrollera att elverktøyet är avstängt innan du ansluter det till batteriet, tar upp det eller bär det.** Om du bär elverktøyet med fingret på strömbrytaren eller ansluter ett tillkopplat verktøyet till nätströmmen kan en olycka inträffa.
- ▶ **Ta bort alla inställningsverktøyet och skruvnycklar innan du kopplar in elverktøyet.** Ett verktøyet eller en nyckel i en roterande komponent kan leda till skador.
- ▶ **Undvik en onormal kroppshållning. Se till att du står stadigt och håller balansen.** Då kan du lättare kontrollera elverktøyet i oväntade situationer.
- ▶ **Bär lämpliga kläder. Bär inte löst hängande kläder eller smycken. Håll håret, kläderna och handskarna på avstånd från rörliga delar.** Löst hängande kläder, smycken och långt hår kan dras in av roterande delar.
- ▶ **När du använder elverktøyet med anordningar för uppsugning och uppsamling av damm, bör du kontrollera att dessa anordningar är rätt monterade och används korrekt.** Används en dammsugare kan faror som orsakas av damm minskas.

#### Användning och hantering av elprodukter

- ▶ **Överbelasta inte verktøyet. Använd elverktøyet som är avsedda för det aktuella arbetet.** Med ett lämpligt elverktøyet kan du arbeta bättre och säkrare inom angivet effektområde.



- ▶ **Använd aldrig elverktyget om strömbrytaren är defekt.** Ett elverktyg som inte kan kopplas in eller ur är farligt och måste repareras.
- ▶ **Ta ut batteriet innan du gör inställningar, byter tillbehör eller lägger ifrån dig verktyget.** Denna skyddsåtgärd förhindrar att du eller någon annan råkar sätta igång elverktyget av misstag.
- ▶ **Förvara elprodukter oåtkomligt för barn.** Produkten får inte användas av personer som inte är vana eller inte har läst dessa anvisningar. Elprodukter är farliga om de används av oerfarna personer.
- ▶ **Underhåll elverktygen noggrant.** Kontrollera att rörliga komponenter fungerar felfritt och inte kårvar och att komponenter inte har brustit eller skadats så att elverktygets funktion påverkas negativt. Se till att skadade delar repareras innan verktyget används igen. Många olyckor orsakas av dåligt skötta elverktyg.
- ▶ **Håll insatsverktygen skarpa och rena.** Omsorgsfullt skötta insatsverktyg med skarpa egg kommer inte så lätt i kläm och går lättare att styra.
- ▶ **Använd produkten, tillbehör, insatsverktyg osv. enligt dessa anvisningar. Ta hänsyn till arbetsvillkoren och arbetsmomenten.** Används produkten på icke ändamålsenligt sätt kan farliga situationer uppstå.

#### Användning och hantering av batteriverktyg

- ▶ **Ladda endast batterierna i de laddare som tillverkaren har rekommenderat.** Brandrisk kan uppstå om en laddare som är avsedd för en viss typ av batterier används för andra batterityper.
- ▶ **Använd endast batterier som är avsedda för aktuellt elverktyg.** Används andra batterier finns det risk för kroppsskada och brand.
- ▶ **Håll gem, mynt, nycklar, spikar, skruvar och andra små metallföremål på avstånd från reservbatterier för att undvika kortslutning av kontaktorna.** En kortslutning av batteriets kontakter kan leda till brännskador eller brand.
- ▶ **Om batteriet används på fel sätt kan vätska rinna ur batteriet. Undvik kontakt med vätskan.** Batterivätskan kan orsaka hudirritation eller brännskada. Vid oavsiktlig kontakt, skölj med vatten. Kontakta läkare om vätskan kommer i kontakt med ögonen.

#### Service

- ▶ **Låt endast kvalificerad fackpersonal reparera produkten och använd då endast originalreservdelar.** Detta garanterar att produktens säkerhet upprätthålls.

#### 2.1.2 Gemensamma säkerhetsföreskrifter för slipning, sandpappersslipning, arbeten med stålborste, polering och kapslipning:

- ▶ **Det här elverktyget kan användas som slipmaskin och kapslipmaskin. Observera alla säkerhetsföreskrifter, anvisningar, bilder och instruktioner som medföljer verktyget.** Om följande anvisningar inte följs kan det leda till elstötar, brand och/eller svåra skador.
- ▶ **Elverktyget är inte avsett för sandpappersslipning, bearbetning med stålborste eller polering.** Tillämpningar som elverktyget inte är avsett för kan orsaka farliga situationer eller skador.
- ▶ **Använd inte tillbehör som inte tillverkats särskilt för elverktyget och rekommenderats av tillverkaren.** Även om tillbehöret går att fästa på verktyget innebär detta inte nödvändigtvis att det är säkert att använda.
- ▶ **Tillåtet varvtal för insatsverktyget måste vara minst så högt som det högsta varvtal som anges på elverktyget.** Tillbehör som roterar snabbare än tillåtet kan brytas sönder och sprätta iväg.
- ▶ **Insatsverktygets ytterdiameter och tjocklek måste motsvara måttangivelsena för elverktyget.** Insatsverktyg med felaktiga mått kan inte skärmas av ordentligt eller kontrolleras tillräckligt.
- ▶ **Insatsverktyg med gänginsats ska passa spindelns gänga exakt. För insatsverktyg som monteras med hjälp av fläns ska insatsverktygets håldiameter passa till flänsens kopplingsdiameter.** Insatsverktyg som inte fästs ordentligt vid elverktyget roterar ojämnt och vibrerar mycket starkt, vilket kan göra att du förlorar kontrollen över dem.
- ▶ **Använd aldrig skadade insatsverktyg.** Kontrollera före varje användning att slipskivorna inte har spruckit eller rivits sönder, att sliprondellerna inte har rivits sönder eller slitits onormalt mycket samt att stålborstarna inte har lösa eller avbrutna borst. Om du tappar elverktyget eller insatsverktyget måste du kontrollera att det inte har skadats. Byt till ett nytt insatsverktyg vid behov. När du har kontrollerat och satt i slipinsatsen ska verktyget köras en minut med högsta varvtal. Håll dig och andra personer borta från det roterande slivverktyget under tiden. Om insatsverktyget är skadat går det oftast sönder redan under testkörningen.
- ▶ **Använd personlig skyddsutrustning.** Beroende på användningsområde bör du använda ansiktsmask, ögonskydd eller skyddsglasögon. Använd om möjligt dammskyddsmask, hörselskydd och skyddshandskar eller specialförkläde, som filtrerar bort små slip- och materialpartiklar. Skydda ögonen mot kringflygande partiklar som uppstår vid vissa användningsområden. Dammskyddsmasker



ska filtrera bort det damm som uppstår vid användningen. Om du utsätts för buller under en längre tid kan din hörsel skadas.

- ▶ **Se till att andra personer håller sig på behörigt avstånd från arbetsområdet. Alla personer som vistas i arbetsområdet måste använda personlig skyddsutrustning.** Delar som splittras från arbetsstycket eller insatsverktyg som går av kan flyga iväg och orsaka skador även utanför själva arbetsområdet.
- ▶ **Håll endast elverktyget i det isolerade handtaget när du utför arbeten där insatsverktyget kan stöta på dolda elledningar.** Vid kontakt med en spänningssatt ledning kan metalldelar på verktyget spänningssättas och ge dig en stöt.
- ▶ **Håll undan nätkabeln från roterande insatsverktyg.** Om du förlorar kontrollen över verktyget kan du råka skära av eller skada kabeln och din hand eller arm kan dras in i det roterande verktyget.
- ▶ **Lägg aldrig ifrån dig elverktyget innan slipinsatsen har stannat helt.** Det roterande insatsverktyget kan komma i kontakt med arbetsytan och orsaka att du förlorar kontrollen över elverktyget.
- ▶ **Låt inte elverktyget vara igång medan du bär omkring på det.** Du kan fastna med kläderna i det roterande slipverktyget och slipinsatsen kan tränga in i kroppen.
- ▶ **Rengör ventilationspringorna på elverktyget regelbundet.** Motorfläkten drar in damm i höljet och om mycket metalldamm samlas kan det utgöra en elektrisk fara.
- ▶ **Använd aldrig elverktyget i närheten av brännbara material.** Gnistor kan antända materialet.
- ▶ **Använd inte insatsverktyg som kräver flytande kylmedel.** Användning av vatten eller andra flytande kylvätskor kan leda till elstötår.

#### Kast och motsvarande säkerhetsföreskrifter

Ett kast (kallas även bakslag eller kickback) är den plötsliga reaktionen till följd av att ett roterande insatsverktyg, t.ex. en slipskiva, sliprondell eller stålborste, fastnar eller blockeras. Fastkörning eller blockering leder till ett tvärt stopp av den roterande rörelsen. Därigenom tvingas elverktyget okontrollerat i motsatt riktning mot insatsverktygets rotationsriktning vid blockeringspunkten.

Om t.ex. en slipskiva hakar fast i arbetsstycket kan kanten på slipskivan skära in i arbetsstycket och gå sönder eller orsaka ett kast. Slipskivan rör sig då mot eller bort från användaren beroende på skivans rotationsriktning. Det kan även hända att slipskivan går av.

Ett kast är resultatet av felaktig eller bristande användning av elverktyget. Det kan förhindras med hjälp av lämpliga försiktighetsåtgärder som beskrivs nedan.

- ▶ **Håll i elverktyget ordentligt och placera kroppen och armarna i en position där du kan fånga upp kastkrafterna.** Använd alltid extrahandtaget om sådant finns för att få största möjliga kontroll över kastkrafterna eller reaktionsmomenten vid start. Användaren kan klara av kast- och reaktionskrafterna genom att vidta lämpliga försiktighetsåtgärder.
- ▶ **Håll aldrig handen i närheten av roterande insatsverktyg.** Insatsverktyget kan träffa handen vid ett kast.
- ▶ **Undvik att stå i det område som elverktyget träffar vid ett eventuellt kast.** Kastet trycker elverktyget i motsatt riktning mot slipskivans rörelse vid blockeringspunkten.
- ▶ **Var särskilt försiktig när du arbetar i hörn, vid vassa kanter eller liknande. Förhindra att insatsverktyg rekylar från verktyget eller fastnar.** Det roterande slipverktyget tenderar att fastna i hörn, vid vassa kanter eller vid rekyl. Du kan förlora kontrollen över verktyget eller ett bakslag kan uppstå.
- ▶ **Använd inte sågblad med kedjor eller tänder.** Sådana slipinsatser orsakar ofta kast eller att du förlorar kontrollen över elverktyget.

#### Särskilda säkerhetsföreskrifter för slipning och kapslipning:

- ▶ **Använd endast slipinsatser som är avsedda för elverktyget och den skyddskåpa som är avsedd för aktuell slipinsats.** Slipinsatser som inte är avsedda för elverktyget kan inte skämmas av tillräckligt och har sämre säkerhet.
- ▶ **Slipskivor med försänkt centrum ska monteras på ett sådant sätt att deras slipyta inte sticker ut utanför skyddskåpans kant.** En felaktigt monterad slipskiva som sticker ut utanför skyddskåpans kant kan inte avskämmas tillräckligt.
- ▶ **Skyddskåpan måste fästas ordentligt på elverktyg och för högsta möjliga säkerhet ställas in så att minsta möjliga del av slipinsatsen blottas för den som använder verktyget.** Skyddskåpan hjälper till att skydda användaren mot splitter, oavsiktlig kontakt med slipinsatsen samt gnistor som kan antända kläderna.
- ▶ **Slipinsatserna får endast användas för rekommenderade tillämpningar. Till exempel: Slipa aldrig med sidoytan på en kapskiva.** Kapskivor ska användas för att skala av material med kanten av skivan. Om kraft anbringas från sidan på slipinsatsen kan den gå sönder.



- ▶ **Använd alltid oskadade spännflänsar med rätt storlek och form för den slipskiva du valt.** Har du rätt flänsar stöttar de slipskivan och minskar risken för att den går sönder. Flänsar för kapskivor kan se annorlunda ut än flänsar för andra typer av slipskivor.
- ▶ **Använd inte slitna slipskivor från större verktyg.** Slipskivor för större elverktyg är inte avsedda för de högre varvtalen hos mindre verktyg och kan gå sönder.

#### Ytterligare särskilda varningar för kapslipning:

- ▶ **Undvik att kapskivan blockeras eller ett för högt anpressningstryck. Gör inte alltför djupa snitt.** Om kapskivan överbelastas ökar påfrestningen och risken för kantning eller blockering och därmed risken för bakslag eller att slipsinsatsen går av.
- ▶ **Håll dig undan från området framför och bakom den roterande kapskivan.** Om du för kapskivan bort från dig på arbetsstycket och ett kast inträffar kan elverktyget med den roterande skivan kastas direkt mot dig.
- ▶ **Om kapskivan fastnar eller om du avbryter arbetet ska du koppla från verktyget och hålla det stilla tills skivan stannat helt. Försök aldrig att dra loss skivan ur snittet medan den fortfarande roterar – ett kast kan uppstå.** Ta reda på och åtgärda orsaken till att skivan fastnar.
- ▶ **Slå inte på elverktyget igen medan det sitter fast i arbetsstycket. Vänta tills kapskivan nått fullt varvtal igen innan du försiktigt fortsätter med snittet.** Annars kan skivan haka fast, hoppa ur arbetsstycket eller orsaka kast.
- ▶ **Stötta upp plattor eller stora arbetsstycken för att minska risken för kast genom att kapskivan fastnar.** Stora arbetsstycken kan böjas av sin egen vikt. Arbetsstycket måste stötts på båda sidor om skivan, både i närheten av kapsnittet och vid kanten.
- ▶ **Var extra försiktig vid "fickskäring" i befintliga väggar eller andra områden som du inte har full uppsikt över.** När kapskivan tränger igenom väggen kan den träffa en gas-, vatten- eller elledning eller något annat objekt och orsaka kast.

### 2.1.3 Extra säkerhetsföreskrifter

#### Personsäkerhet

- ▶ Använd verktyget bara om det är fullt funktionsdugligt.
- ▶ Manipulera eller ändra aldrig något på verktyget.
- ▶ Rör inte vid roterande delar – risk för personskada!
- ▶ Använd skyddshandskar även vid byte av insatsverktyg. Det finns risk för skär- och brännskador vid beröring av nyss använda insatsverktyg.
- ▶ Ta bort de dammpartiklar som har uppstått innan arbetet i riskklassen startas. Använd en byggdamm-sugare med en standardskyddsklassificering som motsvarar de lokala dammskyddsbestämmelserna. Damm från material med blyhaltig färg, vissa träslag, betong, tegel, sten som innehåller kvarts, mineraler och metall kan vara hälsovådliga.
- ▶ Se till att arbetsplatsen har god ventilation, och använd vid behov en andningsmask som är avsedd för damm av det aktuella slaget. Beröring eller inandning av damm kan orsaka allergiska reaktioner och/eller sjukdomar i andningsvägarna hos användaren eller hos personer som befinner sig i närheten. Vissa slags damm, till exempel från ek eller bok, anses vara cancerframkallande, särskilt i kombination med tillsatssämnen för behandling av trä (kromat, träskyddsmedel). Asbesthaltigt material får bara hanteras av särskilt utbildad personal.
- ▶ Gör pauser i arbetet och utför fingerövningar som ökar blodgenomströmningen i fingrarna. Vid långvarigt, ihållande arbete kan vibrationerna ge besvär i blodkärl och nerver i fingrarna, händerna och handlederna.

#### Elektrisk säkerhet

- ▶ Undersök om det finns dolda el-, gas- och vattenledningar inom arbetsområdet innan du påbörjar arbetet. Utanpåliggande metalldelar på verktyget kan orsaka elstötar om du oavsiktligt råkar skada en elledning.

#### Omsorgsfull hantering och användning av elverktyg

- ▶ Använd inte kapskivor för grovbearbetning.
- ▶ Dra fast insatsverktyget och flänsen så att de sitter stadigt. Om insatsverktyget och flänsen inte skruvas fast ordentligt kan verktyget lossna från spindeln vid frånkopplingen, när rörelsen bromsas av verktygsmotorn.
- ▶ Observera tillverkarens anvisningar om hantering och förvaring av slipskivor.

### 2.1.4 Omsorgsfull hantering och användning av batterier

- ▶ Observera de särskilda föreskrifterna för transport, förvaring användning av litiumjonbatterier.
- ▶ Utsätt inte batterierna för höga temperaturer, direkt solljus eller eld.
- ▶ Batterier får inte tas isär, klämmas, hettas upp över 80° eller brännas.

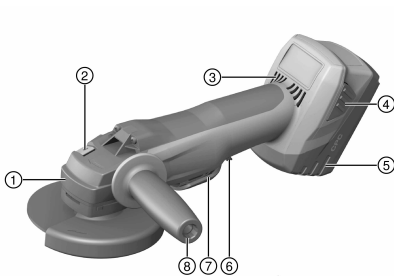




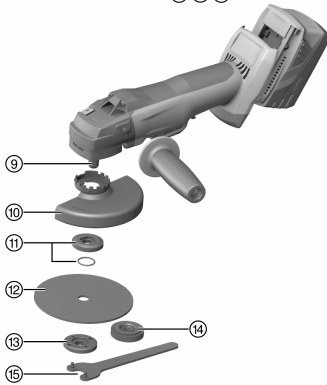
- ▶ Använd eller ladda inte batterier som tagit emot slag, har fallit från över en meters höjd eller är skadade på något annat sätt. I sådana fall, kontakta **Hilti Service**.
- ▶ Om batteriet är så hett att du inte kan ta i det kan det vara defekt. Ställ produkten på en plats där inget riskerar att fatta eld och på tryggsamt avstånd från brännbart material, där du kan hålla den under uppsikt medan batteriet svalnar. I sådana fall, kontakta **Hilti Service**.

### 3 Beskrivning

#### 3.1 Produktöversikt



- ① Spärr för skyddskåpa
- ② Spindellåsknapp
- ③ Ventilationspringor
- ④ Utlösningsknapp med extrafunktion för aktivering av laddningsindikeringen
- ⑤ Batteri
- ⑥ Tillkopplingspärr
- ⑦ Strömbrytare
- ⑧ Vibrationsdämpare, sidohandtag
- ⑨ Spindel
- ⑩ Standard skyddskåpa
- ⑪ Spännfläns med O-ring
- ⑫ Kapslippskiva/skrubbslippskiva
- ⑬ Spännmutter
- ⑭ **Kwik lock**-snabbspännmutter (tillval)
- ⑮ Spännnyckel



#### 3.2 Avsedd användning

Den produkt som beskrivs här är en handhållen batteridrivna vinkelslip. Verktöget är avsett att användas för kapslipning och skrubbslipning av metalliska och mineraliska material, samt kakelborrning utan vatten. Verktöget ska endast användas för torrslipning/-skärning.

- Kapslipning, skärning och skrubbslipning av mineraliska material får endast utföras vid användning med skyddskåpa (tillval).
- Vid bearbetning av mineraliska grundmaterial, till exempel betong eller sten, ska en dammsugarkåpa anpassad till en lämplig **Hilti**-dammsugare användas.
- ▶ Använd endast **Hiltis** litiumjonbatterier av typen Li-Ion B 22 med produkten.
- ▶ Använd endast **Hilti** batteriladdare i C4/36-serien för dessa batterier.

#### 3.3 Leveransinnehåll

Vinkelslip, sidohandtag, standard skyddsskåpa, framkåpa, spännfläns, fästmutter, spännnyckel, bruksanvisning.

Dessutom finns fler systemprodukter för din produkt både i närmaste **Hilti Store** och på nätet: [www.hilti.group](http://www.hilti.group)



### 3.4 Termiskt verktygsskydd

Motorskyddet övervakar strömförbrukning och motortemperatur, vilket förhindrar att verktyget överhettas. Om motorn överbelastas genom för högt anpressningstryck minskar verktygets effekt påtagligt och det kan hända att verktyget stannar.

Om verktyget överbelastas så att det stannar eller tappar varvtalet bör du minska trycket och låta verktyget gå utan belastning i cirka 30 sekunder.

### 3.5 Skyddskåpa med framkåpa

Vid skrubbslipning med raka skrubbslipskivor och vid kapslipning med kapslipskivor i metallmaterial bör standardkyddskåpan med framkåpa användas.

### 3.6 Dammsugarkåpa (kapning) DC-EX 125/5" C kompaktkåpa (tillbehör)

Använd kompaktkåpan DC-EX 125/5" C vid kapslipning av mineraliska grundmaterial med diamantkapslipskiva.

**OBS!** Bearbetning av metall får inte utföras med den här kåpan.

### 3.7 Dammsugarkåpa (slipning) DG-EX 125/5" (tillbehör)

Slipssystemet får endast tillfälligt användas för slipning i mineralmaterial med diamantslipskålar.

**OBS!** Bearbetning av metall får inte utföras med den här kåpan.

### 3.8 Laddningsindikering för litiumjonbatterier

Tryck på en av litiumjonbatteriets utlösningssknappar för att se batterinivån.

Status	Betydelse
4 lysdioder lyser.	Laddningsstatus: 75 % till 100 %
3 lysdioder lyser.	Laddningsstatus: 50 % till 75 %
2 lysdioder lyser.	Laddningsstatus: 25 % till 50 %
1 lysdiod lyser.	Laddningsstatus: 10 % till 25 %
1 LED blinkar.	Laddningsstatus: < 10 %



Under pågående arbete och strax efteråt går det inte att läsa av laddningsstatus. Läs anvisningarna i kapitlet Felsökning om batteriets lysdioder för laddningsindikering börjar blinka.

## 4 Förbrukningsartiklar

Använd endast konsthartsbundna fiberarmerade skivor för max. Ø 125 mm. Skivorna måste vara godkända för ett varvtal på minst 11000 varv/min och en periferihastighet på 80 m/s.

Max. tjocklek för skrubbslipskivor är 6,4 mm och för kapslipskivor 3 mm.

**OBS! Använd alltid standardkyddskåpan med extra framkåpa eller en helt sluten dammsugarkåpa vid kapning och skärning med kapslipskiva.**

#### Skivor

	Användningsområden	Förkortning	Underlag
Abrasiv kapslipskiva	Kapslipning, skärning	AC-D	metalliskt
Diamantkapslipskiva	Kapslipning, skärning	DC-TP, DC-D (SPX, SP, P)	mineraliskt
Abrasiv skrubbslipskiva	Skrubbslipning	AG-D, AF-D, AN-D	metalliskt
Diamantskrubbslipskiva	Skrubbslipning	DG-CW (SPX, SP, P)	mineraliskt
Diamantborrkrona	Kabelborring	DD-M14	mineraliskt



## Tillordning av skivor till använd utrustning

Arti- kel	Utrustning	AC-D	AG-D	AF-D	AN-D	DG-CW	DC-D	DD-M14
A	Skyddskåpa	X	X	X	X	X	X	X
B	Framkåpa (tillsammans med A)	X	-	—	—	—	X	—
C	Dammsugarkåpa (slipning) DG-EX 125/5"	—	—	—	—	X	—	—
D	Dammsugarkåpa (kapning) DC-EX 125/5"C (i kombination med A)	—	—	—	—	—	X	—
E	Sidohandtag	X	X	X	X	X	X	X
F	Bygelhandtag DCBG 125 (tillval till E)	X	X	X	X	X	X	X
G	Spännmutter	X	X	X	X	X	X	—
H	Spännfläns	X	X	X	X	X	X	—
I	<b>Kwik lock</b> (tillval till G)	X	X	X	X	—	X	—

## 5 Teknisk information

	AG 125-A22
<b>Märkspänning</b>	21,6 V
<b>Mätvarvtal</b>	9 500 varv/min
<b>Maximal skivdiameter</b>	125 mm
<b>Vikt enligt EPTA Procedure 01 inklusive batteri B228.0</b>	3,3 kg
<b>Gängspindel</b>	M14
<b>Spindellängd</b>	22 mm

### 5.1 Bullerinformation och vibrationsvärden enligt EN 60745

De ljudtrycks- och vibrationsvärden som anges i anvisningarna har uppmätts med en standardiserad mätmetod och kan användas för att jämföra olika elverktyg med varandra. De kan också användas för att göra en preliminär uppskattning av exponeringarna. De angivna värdena representerar borsthammarens huvudsakliga användning. När elverktyget begagnas inom andra områden, med andra insatsverktyg eller med otillräckligt underhåll, kan mätning ge avvikande värden. Det innebär att exponeringen under den totala arbetstiden kan ökas betydligt. För att uppskattningen av exponeringarna ska bli exakt bör man också räkna in de tider då verktyget är frånkopplat, eller då det är tillkopplat men inte används. Detta kan minska exponeringen betydligt under den totala arbetstiden. Vidta även andra säkerhetsåtgärder för att skydda användaren mot effekterna av buller och/eller vibrationer, exempelvis: Underhåll av elverktyg och insatsverktyg, möjlighet att hålla händerna varma, organisation av arbetsflöppen.

#### Bullerinformation

<b>Ljudtrycksnivå (<math>L_{pA}</math>)</b>	83 dB(A)
<b>Osäkerhet ljudtrycksnivå (<math>K_{pA}</math>)</b>	3 dB(A)
<b>Ljudeffektnivå (<math>L_{WA}</math>)</b>	94 dB(A)
<b>Osäkerhet ljudeffektnivå (<math>K_{WA}</math>)</b>	3 dB(A)

#### Vibrationsinformation

Andra tillämpningar, t.ex. kapning, kan ge upphov till andra vibrationsvärden.

<b>Slipning av ytor med vibrationsdämpande handtag (<math>a_{h,AG}</math>)</b>	3,8 m/s <sup>2</sup>
<b>Osäkerhet (K)</b>	1,5 m/s <sup>2</sup>



## 5.2 Batteri

Batteriets driftspänning	21,6 V
Omgivningstemperatur vid drift	-17 °C ... 60 °C
Förvaringstemperatur	-20 °C ... 40 °C
Batteritemperatur när laddningen påbörjas	-10 °C ... 45 °C

## 6 Före start

### 6.1 Sätta i batteriet 5

#### FÖRSIKTIGHET

**Risk för personskada** vid oavsiktlig start av vinkelslipen.

- ▶ Kontrollera att vinkelslipen är frånkopplad och tillkopplingsspärrn aktiverad innan batteriet sätts in.

#### FÖRSIKTIGHET

**Elfara.** Nedsmutsade kontakter kan leda till kortslutning.

- ▶ Försäkra dig om att såväl batterikontakterna som kontakterna på vinkelslipen är rena och fria från främmande partiklar innan du sätter i batteriet.

#### FÖRSIKTIGHET

**Risk för personskada.** Om batteriet inte sitter korrekt kan det falla ur verktyget.

- ▶ Kontrollera att batteriet sitter korrekt i verktyget så att det inte faller ut och riskerar att skada någon.
- ▶ Sätt in batteriet och kontrollera att det är ordentligt insatt i verktyget.

### 6.2 Ta ut batteriet 6

- ▶ Ta ut batteriet.

### 6.3 Montera sidohandtaget

- ▶ Skruva fast sidohandtaget i en av de avsedda gängbussningarna.

### 6.4 Montering och demontering av skyddskåpa

#### FÖRSIKTIGHET

**Risk för personskada.** Insatsverktyget kan vara hett och ha skarpa kanter.

- ▶ Använd alltid skyddshandskar vid montering, demontering, justeringsarbeten och störningsåtgärder.
- ▶ Läs monteringsanvisningarna för aktuell skyddskåpa.

#### 6.4.1 Montera skyddskåpan 7



Skyddskåpan har styrklackar som garanterar att endast en skyddskåpa som passar på verktyget kan monteras. Styrklackarna på skyddskåpan passas in i verktygets fästen för kåpan.

1. Placera skyddskåpan på spindelkragen så att de båda trianglarna på skyddskåpan och verktyget står mitt för varandra.
2. Tryck fast skyddskåpan på spindelhalsen.
3. Tryck in kåpans låsknapp.
4. Vrid skyddskåpan tills den hakar i och kåpans låsknapp åker upp igen.

#### 6.4.2 Justera skyddskåpan

- ▶ Tryck på kåpans upplåsningsknapp och vrid skyddskåpan till önskat läge tills den hakar fast.

#### 6.4.3 Demontera skyddskåpan

1. Tryck på spärrn på kåpan och vrid skyddskåpan tills de båda trianglarna på skyddskåpan och verktyget står mitt för varandra.



2. Ta av skyddskåpan.

## 6.5 Montering och demontering av framkåpa



Vid arbete med framkåpan ska den sitta på skyddskåpan.

1. Sätt framkåpan med den stängda sidan mot standardskyddskåpan tills den låser fast.
2. Öppna låset på framkåpan och lyft av den från standardskyddskåpan vid demontering.

## 6.6 Placering av dammsugarkåpa (kapning) DC-EX 125/5" C

- Placera kompaktkåpan så att strömbrytaren alltid går att komma åt och använda.

## 6.7 Montering och demontering av insatsverktyg

### FÖRSIKTIGHET

**Risk för personskada.** Insatsverktyget kan vara mycket varmt.

- Använd alltid skyddshandskar när du byter insatsverktyg.



Diamantskivor ska bytas så snart du märker att skär- eller slipeffekten sjunker. I allmänhet inträffar det när diamantsegmentens höjd är mindre än 2 mm.

Andra typer av skivor ska bytas så snart skäreffekten tydligt sjunker eller delar av vinkelslipen (andra än skivan) kommer i kontakt med arbetsmaterialet under arbete.

Slipskivor ska bytas när utgångsdatum löper ut.

### 6.7.1 Montera insatsverktyg

1. Ta ut batteriet. → Sidan 38
2. Kontrollera att späninflänsens O-ring sitter på plats och inte är skadad.

#### Resultat

O-ringen är skadad.

Det sitter ingen O-ring i späninflänsen.

- Sätt i en ny späninfläns med O-ring.

3. Sätt fast späninflänsen på spindeln och passa in den noga så att den inte kan vridas.
4. Sätt på insatsverktyget.

### VARNING

**Risk för personskada.** Insatsverktyget kan lossna vid inbromsning av verktygsmotorn.

- Vänta tills insatsverktyget har stannat innan du rör vid verktyget eller spännmuttern.
- Dra åt insatsverktyget och späninflänsen med spännmuttern så att inga delar kan lossna från spindeln vid inbromsning av verktygsmotorn.

5. Skruva fast spännmuttern som motsvarar det insatta verktyget.
6. Tryck på spindellåsknappen och håll den intryckt.
7. Dra åt spännmuttern med spännnyckeln, lossa sedan spindellåsknappen och ta bort spännnyckeln.

### 6.7.2 Demontera insatsverktyg

1. Ta ut batteriet. → Sidan 38

### FÖRSIKTIGHET

**Risk för skador på verktyget.** Om spindellåsknappen trycks ner medan spindeln roterar kan insatsverktyget lossna.

- Tryck endast ner spindellåsknappen när spindeln står still.
2. Tryck på spindellåsknappen och håll den intryckt.
  3. Lossa spännmuttern genom att vrida den moturs med spännnyckeln.
  4. Släpp spindellåsknappen och ta bort insatsverktyget.



### 6.7.3 Montera insatsverktyget med **Kwik lock**-spännmuttern **11**

#### FÖRSIKTIGHET

**Risk för verktygsskador.** Vid stark förslitning kan **Kwik lock**-spännmuttern gå sönder.

- ▶ Se till att **Kwik lock**-spännmuttern inte har kontakt med underlaget under arbetet.
- ▶ Använd inte **Kwik lock**-snabbspännmuttrar som är skadade.



I stället för den vanliga spännmuttern kan **Kwik lock**-snabbspännmuttern (tillval) användas. Inga andra verktyg behövs då för att byta insatsverktyg.

1. Ta ut batteriet. → Sidan 38
2. Rengör spännflänsen och spännmuttern.
3. Sätt fast spännflänsen på spindeln.
4. Sätt på insatsverktyget.
5. Skruva fast **Kwik lock**-snabbspännmuttern på insatsverktyget.
  - ▶ Texten **Kwik lock** syns när muttern är fastskruvad.
6. Tryck på spindellåsknappen och håll den intryckt.
7. Vrid insatsverktyget hårt medurs för hand tills snabbspännmuttern **Kwik lock** är ordentligt åtdragen och lossa sedan på spindellåsknappen.

### 6.7.4 Demontera insatsverktyget med **Kwik lock**-spännmuttern

1. Ta ut batteriet. → Sidan 38

#### FÖRSIKTIGHET

**Risk för skador på verktyget.** Om spindellåsknappen trycks ner medan spindeln roterar kan insatsverktyget lossna.

- ▶ Tryck endast ner spindellåsknappen när spindeln står still.
2. Tryck på spindellåsknappen och håll den intryckt.
  3. Lossa snabbspännmuttern **Kwik lock** genom att vrida den moturs för hand.
  4. Om det inte går att lossa snabbspännmuttern **Kwik lock** för hand sätter du på en spännyckel på snabbspännmuttern och vrider den moturs.



Använd aldrig rörtång, då det kan skada **Kwik lock**-spännmuttern.

5. Släpp spindellåsknappen och ta bort insatsverktyget.

### 6.7.5 Montera borrhkronan **12**

1. Ta ut batteriet. → Sidan 38
2. Montera sidohandtaget. → Sidan 38
3. Montera skyddskåpan. → Sidan 38
4. Sätt på borrhkronan och skruva fast den för hand.
5. Tryck på spindellåsknappen och håll den intryckt.
6. Dra fast borrhkronan med en lämplig U-nyckel.
7. Lossa sedan spindellåsknappen och avlägsna U-nyckeln.

## 7 Användning

### 7.1 Slipning

#### FÖRSIKTIGHET

**Risk för personskada.** Insatsverktyget kan plötsligt fastna eller bli blockerat.

- ▶ Använd alltid verktyget med sidohandtaget (alternativt med bygelhandtaget) och håll i verktyget med båda händerna.



## 7.2 Kapslipning

- ▶ Arbeta med måttlig matning vid kapslipning och vinkla inte verktyget eller kapslipskivan (arbetsposition ca 90° mot skärplanet).



Profiler och små fyrkantsrör kapas lättast om kapslipskivan används tvärs över den minsta arean.

## 7.3 Skrubbslipning



### FÖRSIKTIGHET

**Risk för personskada.** Kapslipskivan kan spricka och ivägskjutande delar kan skada personer i närheten.

- ▶ Använd aldrig kapslipskivor för skrubbslipning.
- ▶ Rör verktyget fram och tillbaka med måttligt tryck och en anliggningsvinkel på 5° till 30°.
  - ▶ Då blir arbetsstycket varken för varmt eller missfärgat och det blir inga räfflor.

## 7.4 Påslagning, strömbrytare med tillkopplings spärr



Tack vare strömbrytaren med tillkopplings spärr kan du kontrollera strömbrytarfunktionen och förhindra oavsiktlig start av verktyget.

1. Tryck tillkopplings spärran framåt.
  - ▶ Strömbrytaren låses upp.
2. Tryck in strömbrytaren hela vägen.
  - ▶ Verktymsmotorn börjar gå på tomgång.

## 7.5 Avstängning, strömbrytare med tillkopplings spärr

- ▶ Släpp strömbrytaren.
  - ▶ Tillkopplings spärran ställer sig då automatiskt i spärrläget.

## 8 Skötsel och underhåll



### VARNING

**Risk för personskada vid anslutet batteri !**

- ▶ Ta alltid bort batteriet innan skötsel och underhåll utförs!

### Verktygets skötsel

- Ta försiktigt bort smuts som fastnat på verktyget.
- Rengör ventilationsspringorna försiktigt med en torr borste.
- Rengör höljet med en lätt fuktad trasa. Använd inte rengöringsmedel med silikon, eftersom det kan skada plastdelarna.

### Skötsel av litiumjonbatterier

- Håll batteriet rent och fritt från olja och fett.
- Rengör höljet med en lätt fuktad trasa. Använd inte rengöringsmedel med silikon, eftersom det kan skada plastdelarna.
- Se till att ingen fukt tränger in.

### Underhåll

- Kontrollera regelbundet att inga synliga delar har skadats och att alla reglage fungerar som de ska.
- Använd inte produkten om den uppvisar skador eller funktionsstörningar. Skicka den direkt till **Hilti Service** för reparation.
- Efter att skötsel- och underhållsarbete utförts ska alla skyddsanordningar alltid monteras och kontrolleras.



Använd endast originalreservdelar och förbrukningsmaterial för säker drift. Godkända reservdelar, förbrukningsmaterial och tillbehör till din produkt från oss hittar du i närmaste **Hilti Store** eller på: [www.hilti.group](http://www.hilti.group).



## 9 Transport och förvaring av batteridrivna verktyg

### Transport

#### FÖRSIKTIGHET

#### Oavsiktlig start under transport. !

- ▶ Transportera alltid produkten utan insatta batterier.
- ▶ Ta bort batterierna.
- ▶ Transportera aldrig batterierna löst liggande.
- ▶ Kontrollera att verktyget och batterierna är oskadade innan de används efter längre transporter.

### Förvaring

#### FÖRSIKTIGHET

#### Oavsiktlig skada på grund av trasiga eller läckande batterier. !

- ▶ Förvara alltid produkten utan insatta batterier.
- ▶ Förvara verktyget och batterierna så svalt och torrt som möjligt.
- ▶ Förvara aldrig batterierna i direkt solsken, på värmeelement eller bakom glasrutor.
- ▶ Förvara verktyget och batterierna oåtkomliga för barn och obehöriga personer.
- ▶ Kontrollera att verktyget och batterierna är oskadade innan de används efter en längre tids förvaring.

## 10 Felsökning

Kontakta **Hilti Service** om det uppstår ett fel som inte finns med i den här tabellen eller som du inte lyckas åtgärda på egen hand.

### 10.1 Felsökning

Fel	Möjlig orsak	Lösning
Batteriet laddar ur fortare än vanligt.	Mycket låg omgivningstemperatur.	▶ Värm långsamt upp batteriet till rumstemperatur.
Batteriet hakar inte i med ett hörbart klick.	Batteriets låsmekanism är smutsig.	▶ Rengör låsmekanismen och sätt i batteriet igen.
1 LED blinkar. Verktyget fungerar inte.	Batteriet är urladdat.	▶ Byt batteri och ladda det tomma batteriet.
	Batteriet är för varmt eller för kallt.	▶ Låt batteriet långsamt värmas upp/svalna till rumstemperatur.
Alla fyra lysdioderna blinkar. Verktyget fungerar inte.	Verktyget är överlastat.	▶ Släpp strömbrytaren och tryck in den igen. Låt sedan verktyget gå på tomgång i ca 30 sekunder.
Vinkelslipen eller batteriet blir väldigt varmt.	Elektriskt fel	▶ Stäng genast av verktyget, ta ur batteriet och syna det, låt det svalna och kontakta <b>Hilti-service</b> .
Verktyget har inte full effekt.	Batteri med för låg kapacitet har satts in.	▶ Använd ett batteri med högre kapacitet.
Motorns bromsfunktion fungerar inte.	Batteriet är urladdat.	▶ Byt batteri och ladda det tomma batteriet.
	Verktyget har överlastats under en kort period.	▶ Släpp strömbrytaren och tryck in den igen.

## 11 Avfallshantering

**Hilti**-produkter är till stor del tillverkade av återvinningsbara material. En förutsättning för återvinning är att materialen separeras på rätt sätt. I många länder kan du lämna in ditt uttjänta instrument så att **Hilti** tar hand om det. Hör efter med **Hiltis** kundtjänst eller din kontaktperson.

### Avfallshantering av batterier

Bristfällig avfallshantering av batterier kan orsaka hälsorisker på grund av läckande gaser eller vätskor.

- ▶ Skicka aldrig iväg skadade batterier!





- ▶ Täck anslutningarna med ett icke ledande material för att förhindra kortslutningar.
- ▶ Kassera batterier så att de inte kan hamna i händerna på barn.
- ▶ Kassera batteriet hos din **Hilti Store** eller vänd dig till närmaste återvinningscentral.



- ▶ Kasta inte elverktyg, elektronisk apparatur och batterier i hushållssoporna.

## 12 RoHS (föreskrifter för begränsning av användningen av farliga ämnen)

Under följande länkar hittar du tabellen med farliga ämnen: [qr.hilti.com/r3958236](http://qr.hilti.com/r3958236).  
En länk till RoHS-tabellen finns i slutet av den här dokumentationen som QR-kod.

## 13 Tillverkargaranti

- ▶ Vänd dig till din lokala **Hilti**-representant om du har frågor om garantivillkoren.

# Original bruksanvisning

## 1 Informasjon om dokumentasjonen

### 1.1 Om denne dokumentasjonen

- Les denne dokumentasjonen før du tar produktet i bruk. Dette er en forutsetning for sikkerhet under arbeidet og problemfri bruk.
- Følg sikkerhetshenvisningene og advarslene i denne dokumentasjonen og på produktet.
- Oppbevar alltid bruksanvisningen på produktet, og lever bruksanvisningen fra deg sammen med produktet hvis det overtas av andre personer.

### 1.2 Symbolforklaring

#### 1.2.1 Farehenvisninger

Farehenvisninger advarer mot farer under håndtering av produktet. Følgende signalord brukes:



**FARE**

**FARE !**

- ▶ For en umiddelbart truende fare som kan føre til alvorlige personskader eller død.



**ADVARSEL**

**ADVARSEL !**

- ▶ Varsler en mulig fare som kan føre til alvorlige personskader eller død.



**FORSIKTIG**

**FORSIKTIG !**

- ▶ Varsler om en mulig farlig situasjon som kan føre til lettere personskade eller skade på utstyr og annen eiendom.

#### 1.2.2 Symboler i dokumentasjonen

Følgende symboler brukes i denne dokumentasjonen:



Les bruksanvisningen før bruk



Anvisninger om bruk og annen nyttig informasjon



Håndtering av resirkulerbare materialer





Ikke kast elektriske apparater eller batterier i husholdningsavfallet

### 1.2.3 Symboler i illustrasjoner

Følgende symboler brukes i illustrasjonene:

	Disse tallene henviser til illustrasjonen foran i denne bruksanvisningen
3	Nummereringen angir rekkefølgen for arbeidstrinnene på bildet og kan avvike fra arbeidstrinnene i teksten
	Posisjonsnumrene brukes i illustrasjonen <b>Oversikt</b> og henviser til numrene på teksten i avsnittet <b>Produktoversikt</b>
	Dette symbolet betyr at håndtering av produktet krever stor grad av oppmerksomhet.

## 1.3 Produktavhengige symboler

### 1.3.1 Symboler på produktet

Følgende symboler kan brukes på produktet:

	Bruk vernebriller
n	Nominelt turtall
/min	Omdreining per minutt
RPM	Omdreining per minutt
	Diameter
	Likestrøm
Li-Ion	Li-ion-batteri
	Brukt <b>HilTI</b> Li-Ion-batteriserie. Følg anvisningene i kapitlet <b>Forskriftsmessig bruk</b> .
	Bruk aldri batteriet som slagverktøy.
	Ikke mist ned batteriet. Ikke bruk et batteri som har vært utsatt for støt eller er skadet på annen måte.
	Maskinen støtter NFC-teknologi som er kompatibel med iOS- og Android-plattformer.

## 1.4 Produktinformasjon

**HILTI**-produkter er laget for profesjonell bruk og må kun brukes, vedlikeholdes og repareres av kyndig personale. Dette personalet må informeres om eventuelle farer som kan oppstå. Produktet og tilleggsutstyret kan utgjøre en fare hvis det betjenes av ukvalifisert personale eller det benyttes feil.

Typebetegnelse og serienummer står på typeskiltet.

- ▶ Skriv inn serienummeret i tabellen nedenfor. Du trenger produktspesifikasjonene ved henvendelser til Hiltis representant eller servicesenter.

#### Produktspesifikasjoner

Vinkelsliper	AG 125-A22
Generasjon	02
Serienummer	



## 1.5 Samsvarserklæring

Vi erklærer herved at produktet som er beskrevet her, er i samsvar med gjeldende normer og direktiver. Du finner et bilde av samsvarserklæringen på slutten av denne dokumentasjonen.

Den tekniske dokumentasjonen er lagret her:

Hilti Entwicklungsgesellschaft mbH | Zulassung Geräte | Hiltistraße 6 | 86916 Kaufering, DE

## 2 Sikkerhet

### 2.1 Sikkerhetsregler

#### 2.1.1 Generelle sikkerhetsregler for elektroverktøy

**⚠ ADVARSEL! Les alle sikkerhetsanvisninger og andre anvisninger.** Manglende overholdelse av sikkerhetsanvisninger og andre anvisninger kan medføre elektrisk støt, brann og/eller alvorlige skader.

Overhold alle sikkerhetsanvisninger og instruksjoner i hele bruksperioden.

#### Sikkerhet på arbeidsplassen

- ▶ **Hold arbeidsområdet rent og godt opplyst.** Rotete eller dårlig belyste arbeidsområder kan føre til ulykker.
- ▶ **Bruk ikke elektroverktøyet i eksplosjonsfarlige omgivelser hvor det befinner seg brennbare flytende stoffer, gasser eller støv.** Elektroverktøy lager gnister som kan antenne støv eller damp.
- ▶ **Hold barn og andre personer på sikker avstand mens elektroverktøyet brukes.** Hvis du blir forstyrret under arbeidet, kan du miste kontrollen over verktøyet.

#### Elektrisk sikkerhet

- ▶ **Unngå kroppskontakt med jordete overflater som rør, radiatorer, komfyrer og kjøleskap.** Risikoen for elektrisk støt er høyere når kroppen er jordat.
- ▶ **Hold elektroverktøyet unna regn og fuktighet.** Risikoen for elektrisk støt øker ved inntrenging av vann i et elektroverktøy.

#### Personssikkerhet

- ▶ **Vær oppmerksom, pass på hva du gjør, og gå fornuftig fram under arbeidet med et elektroverktøy. Ikke bruk elektroverktøy når du er trøtt eller påvirket av narkotika, alkohol eller medikamenter.** Et øyeblikks uoppmerksomhet ved bruk av elektroverktøyet kan være nok til å forårsake alvorlige personskader.
- ▶ **Bruk alltid personlig verneutstyr og vernebriller.** Bruk av personlig verneutstyr som støvmaske, sklisikre vernesko, hjelm eller hørselsvern – avhengig av type og bruk av elektroverktøyet – reduserer risikoen for skader.
- ▶ **Unngå utilsiktet start. Forsikre deg om at elektroverktøyet er slått av før du kobler det til stikkontakten eller batteriet, løfter eller flytter på det.** Hvis du holder fingeren på bryteren når du bærer elektroverktøyet, eller kobler elektroverktøyet til strøm i innkoblet tilstand, kan dette føre til uhell.
- ▶ **Fjern justeringsverktøy og skrunøkkel før du slår på elektroverktøyet.** Et verktøy eller en nøkkel som befinner seg i en roterende maskindel, kan føre til skader.
- ▶ **Unngå uhensiktsmessige arbeidsposisjoner. Sørg for å stå stødig og i balanse.** Dermed kan du kontrollere elektroverktøyet bedre i uventede situasjoner.
- ▶ **Bruk egnede klær. Ikke bruk vide klær eller smykker. Hold hår, tøy og hansker unna deler som beveger seg.** Løstsittende tøy, smykker eller langt hår kan komme inn i deler som beveger seg.
- ▶ **Hvis det er montert støvavsugs- og oppsamlingsinnretninger, må det kontrolleres at disse er koblet til og blir brukt på riktig måte.** Bruk av støvavsug kan redusere faremomentene i forbindelse med støv.

#### Bruk og behandling av elektroverktøyet

- ▶ **Ikke overbelast verktøyet. Bruk et elektroverktøy som er beregnet til den type arbeid du vil utføre.** Med et passende elektroverktøy arbeider du bedre og sikrere i det angitte effektområdet.
- ▶ **Ikke bruk elektroverktøy med defekt bryter.** Et elektroverktøy som ikke lenger kan slås av eller på, er farlig og må repareres.
- ▶ **Fjern batteriet før du foretar maskininnstillinger, skifter tilbehørsdeler eller legger vekk maskinen.** Disse tiltakene forhindrer en utilsiktet start av elektroverktøyet.
- ▶ **Oppbevar elektroverktøy som ikke brukes utenfor barns rekkevidde. La ikke personer som ikke er fortrolige med eller ikke har lest instruksjonene, bruke verktøyet.** Elektroverktøy er farlige når de brukes av uerfarne personer.
- ▶ **Sørg for grundig stell av elektroverktøy. Kontroller at bevegelige deler på elektroverktøyet fungerer feilfritt og ikke klemmes fast, og om deler er brukket eller skadet, slik at dette innvirker på**



elektroverktøyets funksjon. La skadde deler repareres før elektroverktøyet brukes. Mange ulykker er et resultat av dårlig vedlikeholdte elektroverktøy.

- ▶ **Hold skjæreverktøy skarpe og rene.** Godt vedlikeholdte skjæreverktøy med skarpe skjærekanter blir sjeldnere fastklemt og er lettere å styre.
- ▶ **Bruk elektroverktøy, tilbehør, arbeidsverktøy osv. i overensstemmelse med denne anvisningen.** Ta hensyn til arbeidsforholdene og arbeidet som skal utføres. Bruk av elektroverktøy til andre formål enn det som er angitt, kan føre til farlige situasjoner.

#### **Bruk og behandling av det batteridrevne elektroverktøyet**

- ▶ **Bruk kun ladere som er anbefalt av produsenten når du skal lade batteriene.** Det oppstår brannfare når det brukes andre batterier i en lader enn dem laderen er egnet for.
- ▶ **Bruk bare batterier som er beregnet for de forskjellige elektroverktøyene.** Bruk av andre batterier kan medføre skader og brannfare.
- ▶ **Unngå å oppbevare brukte batterier i nærheten av binders, mynter, nøkler, nagler, skruer eller andre små metallgjenstander som kan forårsake kortslutning av kontakten.** En kortslutning mellom batterikontaktene kan føre til forbrenninger eller brann.
- ▶ **Ved feil bruk kan væske lekke fra batteriet. Unngå kontakt med denne væsken.** Batterivæske som renner ut, kan føre til irritasjoner på huden eller forbrenninger. Ved tilfeldig kontakt må det skylles med vann. Hvis det kommer væske i øynene, må du i tillegg oppsøke lege.

#### **Service**

- ▶ **Elektroverktøyet må kun repareres av kvalifisert fagpersonale og kun med originale reservedeler.** Slik opprettholdes elektroverktøys sikkerhet.

#### **2.1.2 Felles sikkerhetsanvisninger for sliping, sandpaprsliping, stålborsting, polering og kapping:**

- ▶ **Dette elektroverktøyet skal bare brukes til sliping og kapping. Overhold alle sikkerhetsanvisninger, andre anvisninger, skjematisk framstillinger og data som følger med maskinen.** Dersom du ikke overholder anvisningene nedenfor, er det fare for elektrisk støt, brann og/eller alvorlige personskader.
- ▶ **Dette elektroverktøyet er ikke egnet til sandpaprsliping, stålborsting eller polering.** Bruk av elektroverktøyet til formål det ikke er beregnet for, kan være farlig og forårsake skader.
- ▶ **Bruk ikke tilbehør som ikke er spesielt beregnet for og anbefalt til dette elektroverktøyet fra produsenten.** Selv om tilbehøret lar seg feste til elektroverktøyet, garanterer ikke dette at det er trygt å bruke det.
- ▶ **Maks. tillatt omdreiningstall for innsatsverktøyet må være minst like høyt som maks. tillatt omdreiningstall for selve elektroverktøyet.** Tilbehør som roterer raskere enn tillatt, kan gå i stykker og bli slynget ut.
- ▶ **Utvendig diameter og tykkelse på innsatsverktøyet må stemme overens med elektroverktøys dimensjoner.** Feil dimensjonerte innsatsverktøy kan ikke skjermes eller kontrolleres på tilfredsstillende måte.
- ▶ **Verktøy med gjengeinnsats må passe nøyaktig til gjengene på slipespindelen. På verktøy som monteres ved hjelp av flens, må verktøys hull diameter passe til festediameteren på flensen.** Verktøy som ikke festes nøyaktig på elektroverktøyet, roterer ujevnt, vibrerer kraftig og kan føre til at du mister kontrollen.
- ▶ **Bruk ikke skadde innsatsverktøy. Kontroller alltid innsatsverktøy før du bruker dem. På slipeskiver ser du etter avspilting og sprekker, på slipetallerkener etter sprekker, nedslitthet og slitasje og på stålborster etter løse eller brukte tinder. Hvis elektroverktøyet eller innsatsverktøyet faller ned, kontrollerer du om det er skadet eller bruker et uskadd innsatsverktøy. Når du har kontrollert og satt på plass verktøyet, lar du elektroverktøyet gå et minutt på maksimalt omdreiningstall. Sørg for at du og eventuelle andre personer i nærheten oppholder dere på trygg avstand fra det roterende verktøyet.** De fleste skadde innsatsverktøy vil brette i løpet av denne testtiden.
- ▶ **Bruk personlig verneutstyr. Bruk ansiktsmaske, øyevern eller vernebriller avhengig av bruken. Når det er nødvendig, bruker du støvmaske, hørselsvern, arbeidshansker eller spesialfôrke som beskytter mot små slipe- og materialpartikler. Øynene må beskyttes mot fremmedlegemer som kan slynges ut ved forskjellig bruk. Støvmaske eller åndedrettsvern er nødvendig for å filtrere støvet som produseres når verktøyet brukes. Hvis du i lang tid blir utsatt for høy støy, kan du bli rammet av hørselstap.**
- ▶ **Sørg for å holde andre personer på trygg avstand fra arbeidsområdet ditt. Alle som befinner seg i arbeidsområdet, må bruke personlig verneutstyr.** Bruddstykker av arbeidsstykket eller brukne innsatsverktøy kan slenges av gårde og forårsake skader også utenfor selve arbeidsområdet.
- ▶ **Hold bare elektroverktøyet i de isolerte gripeflatene når du utfører arbeid der verktøyet kan komme i kontakt med elektriske ledninger.** Kontakt med en spenningsførende ledning kan også sette maskinens metalldeleer under spenning og føre til elektrisk støt.



- ▶ **Hold nettkabelen unna roterende innsatsverktøy.** Hvis du mister kontrollen over maskinen, kan strømkabelen kuttes eller bli hengende, og hånden eller armen din kan bli trukket inn i det roterende innsatsverktøyet.
- ▶ **Legg aldri fra deg elektroverktøyet før innsatsverktøyet har stanset helt.** Det roterende innsatsverktøyet kan komme i berøring med underlaget slik at du kan miste kontrollen over elektroverktøyet.
- ▶ **La ikke elektroverktøyet gå mens du bærer det.** Klærne dine kan ved tilfeldig kontakt sette seg fast i det roterende innsatsverktøyet, og innsatsverktøyet kan bore seg inn i kroppen din.
- ▶ **Rengjør ventilasjonsåpningene på elektroverktøyet regelmessig.** Motorviften trekker støv inn i motorhuset, og stor opphopning av metallstøv kan forårsake elektrisk fare.
- ▶ **Bruk aldri elektroverktøyet i nærheten av brennbare materialer.** Materialene kan antennes av gnister.
- ▶ **Bruk ikke innsatsverktøy som krever kjølevæske.** Bruk av vann eller andre kjølevæsker kan føre til elektrisk støt.

### Rekyl og tilhørende sikkerhetsanvisninger

Rekyl er en plutselig reaksjon som følge av at et verktøy som slipeskive, slipetallerken, stålborste osv. kjører seg fast eller blokkeres slik at det oppstår en plutselig stopp i rotasjonen til verktøyet. Dermed blir et ukontrollert elektroverktøy akselerert mot rotasjonsretningen til verktøyet på blokkeringsstedet.

Hvis for eksempel en slipeskive kjører seg fast eller blokkeres, kan kanten av slipeskiven som er senket ned i emnet, bli sittende fast slik at slipeskiven brytes løs eller forårsaker en rekyl. Slipeskiven beveger seg da mot eller fra brukeren, alt etter skivens rotasjonsretning på blokkeringsstedet. I den forbindelse kan slipeskivene også brette.

En rekyl er en følge av en feil eller feilaktig bruk av elektroverktøyet. Den kan hindres gjennom egnede forholdsregler som beskrevet nedenfor.

- ▶ **Hold elektroverktøyet godt fast, og plasser kroppen og armene slik at du kan fange opp rekylkraften. Bruk alltid ekstrahåndtaket der dette finnes, for å få størst mulig kontroll over rekylkrefterne eller reaksjonsmomentet ved akselerasjon.** Brukeren kan takle rekyl- og reaksjonskrefterne gjennom egnede sikkerhetstiltak.
- ▶ **Sørg for at hendene og andre kroppsdeler alltid holdes langt unna det roterende verktøyet.** Verktøyet kan bevege seg over hånden ved rekyl.
- ▶ **Unngå å plassere kroppen i det området der elektroverktøyet vil bevege seg ved rekyl.** Rekylen driver elektroverktøyet i motsatt retning av slipeskivens bevegelsesretning på blokkeringsstedet.
- ▶ **Arbeid alltid forsiktig ved hjørner, skarpe kanter osv. Unngå at innsatsverktøyet kan slå tilbake fra eller setter seg fast i emnet.** Det roterende innsatsverktøyet har en tendens til å sette seg fast ved hjørner, skarpe kanter eller når det slår tilbake. Dette fører til manglende kontroll eller rekyl.
- ▶ **Bruk ikke kjedesagblad eller sagblad med tenner.** Slike innsatsverktøy forårsaker ofte rekyl eller tap av kontroll over elektroverktøyet.

### Spesielle sikkerhetsanvisninger vedrørende sliping og kapping:

- ▶ **Bruk bare slipeelementer som er tillatt for dette elektroverktøyet samt beskyttelsesdeksel som er beregnet for slipeelementene.** Slipeelementer som ikke er beregnet til elektroverktøyet, kan ikke skjermes tilfredsstillende og er usikre.
- ▶ **Krumme slipeskiver må monteres slik at slipeflaten ikke stikker ut over kanten av beskyttelsesdekslet.** En ufagmessig montert slipeskive som stikker ut over kanten på beskyttelsesdekslet, kan ikke skjermes tilstrekkelig.
- ▶ **Beskyttelsesdekslet må være sikkert festet på maskinen og må være innstilt for størst mulig sikkerhet, det vil si slik at en så liten del som mulig av slipeelementet ligger åpent mot brukeren.** Beskyttelsesdekslet bidrar til å beskytte brukeren mot bruddstykker, tilfeldig kontakt med slipeelementet samt mot gnister som kan antenne klærne.
- ▶ **Slipeelementer skal bare brukes til anbefalte bruksområder. For eksempel: Slip aldri med sideflaten på en kappeskive.** Kappeskiver er beregnet for materialfjerning med kanten av skiven. Sidelengs kraftinnvirkning på disse slipeelementene kan ødelegge dem.
- ▶ **Bruk alltid bare uskadede låseflenser i riktig dimensjon og form for slipeskiven du har valgt.** Egnede flenser støtter slipeskiven og reduserer på den måten faren for brudd. Flenser til kappeskiver kan være annerledes enn flensene til andre slipeskiver.
- ▶ **Bruk ikke utslitte slipeskiver fra større elektroverktøy.** Slipeskiver for større elektroverktøy er ikke dimensjonert for de høyere omdreiningsstallene til mindre elektroverktøy og kan brette.

### Ytterligere spesielle sikkerhetsanvisninger for kapping:

- ▶ **Unngå blokkering av kappeskiven eller for høyt mottrykk. Utfør ingen overdrevent dype snitt.** Overbelastning av kappeskiven øker belastningen og skivens tendens til pressing eller blokkering og dermed faren for rekyl eller brudd på slipeelementet.



- ▶ **Unngå området foran og bak den roterende kappeskiven.** Hvis du beveger kappeskiven fra deg i emnet, kan det ved en rekyl skje at elektroverktøyet og den roterende skiven slynges direkte tilbake mot deg.
- ▶ **Dersom kappeskiven setter seg fast eller du avbryter arbeidet, slår du maskinen av og holder den rolig til skiven har stanset helt. Forsøk aldri å fjerne kappeskiven fra snittet mens den fortsatt roterer, da dette kan forårsake rekyl.** Finn og fjern årsaken til fastklemmingen.
- ▶ **Start ikke elektroverktøyet så lenge det befinner seg i arbeidsemnet. La kappeskiven først nå opp i maks. omdreiningstall før du forsiktig fortsetter snittet.** Ellers kan skivene hekte seg fast, hoppe ut av arbeidsemnet eller forårsake rekyl.
- ▶ **Støtt opp plater og store arbeidsemner, da reduseres risikoen for rekyl på grunn av en fastklemte kappeskive.** Store arbeidsemner kan brette under sin egen vekt. Arbeidsemnet må støttes opp på begge sider og i nærheten av kappesnittet og kanten.
- ▶ **Vær ekstra forsiktig ved lommesnitt i eksisterende vegger eller andre områder du ikke har oversikt over.** Den innstikkende kappeskiven kan forårsake rekyl ved skjæring i gass- eller vannledninger, strømledninger eller andre objekter.

### 2.1.3 Ekstra sikkerhetsanvisninger

#### Personikkerhet

- ▶ Bruk produktet bare i teknisk feilfri stand.
- ▶ Ikke foreta modifiseringer eller endringer på maskinen.
- ▶ Unngå å berøre de roterende delene. Fare for personskader!
- ▶ Bruk vernehansker også ved skifte av verktøy. Berøring av innsatsverktøyet kan føre til kuttskader og forbrenninger.
- ▶ Før arbeidet påbegynnes, må du bringe på det rene hvilken fareklasse støvmaterialet som oppstår, tilhører. Bruk en anleggsstøvsuger med offisiell beskyttelsesklassifisering sammen med maskinen. Maskinen må oppfylle lokale støvbeskyttelseskrav. Støv fra materialer som blyholdig maling, enkelte tresorter, betong/mur/stein som inneholder kvarts, mineraler og metaller kan være helseskadelig.
- ▶ Sørg for god ventilasjon på arbeidsplassen, og bruk eventuelt åndedrettsvern tilpasset den aktuelle typen støv. Berøring eller innånding av slike typer støv kan fremkalle allergiske reaksjoner og/eller luftveissykdommer hos brukeren og andre personer som oppholder seg i nærheten. Bestemte typer støv som eikestøv eller bøkkestøv regnes som kreftfremkallende, særlig i forbindelse med stoffer for trebehandling (kromat, trepleiemidler). Asbestholdige materialer skal kun håndteres av kvalifisert personell.
- ▶ Ta pauser i arbeidet og gjør øvelser for å sikre bedre blodsirkulasjon i fingrene. Ved langvarig arbeid kan det oppstå skader på blodkar eller nervesystemet i fingrer, hender eller håndledd.

#### Elektrisk sikkerhet

- ▶ Kontroller før arbeidet påbegynnes at det ikke finnes skjulte strømledninger, gass- eller vannrør i arbeidsområdet. Utvendige metalldeleer på maskinen kan forårsake elektrisk støt hvis du utilsiktet skulle skade en strømledning.

#### Forsiktig behandling og bruk av elektroverktøy

- ▶ Ikke bruk kappeskiver til sliping.
- ▶ Trekk til innsatsverktøyet og flensen godt. Hvis innsatsverktøyet og flensen ikke trekkes godt nok til, er det etter utkobling fare for at verktøyet løsner fra spindelen under oppbremsing med maskinens motor.
- ▶ Følg produsentens anvisninger om håndtering og oppbevaring av slipeskiver.

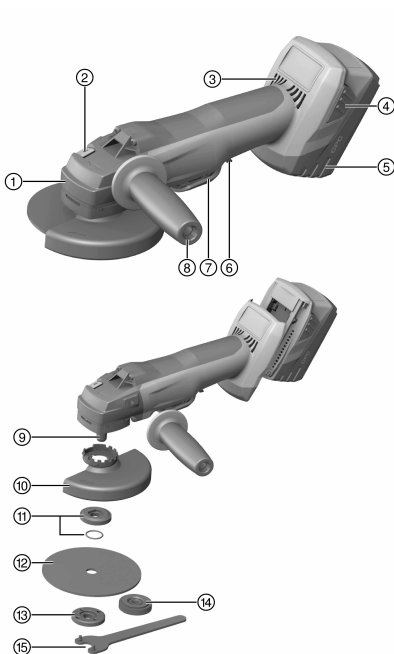
### 2.1.4 Aktsoom håndtering og bruk av batterier

- ▶ Ta hensyn til spesielle retningslinjer for transport, lagring og bruk av Li-Ion-batterier.
- ▶ Hold batteriene unna høye temperaturer, direkte solskinn og åpen ild.
- ▶ Batteriene må ikke tas fra hverandre, klemmes, varmes opp over 80 °C eller brennes.
- ▶ Ikke bruk eller lad opp batterier som har fått et støt, har falt ned over en meter eller er skadet på annen måte. Kontakt i slike tilfeller alltid **Hilti service**.
- ▶ Hvis batteriet er for varmt til å ta i, kan det være defekt. Plasser produktet på et ikke-brennbar sted med tilstrekkelig avstand fra brennbare materialer, der det kan observeres. La det avkjøles. Kontakt i slike tilfeller alltid **Hilti service**.



### 3 Beskrivelse

#### 3.1 Produktoversikt



- ① Hurtiglås for beskyttelsesdeksel
- ② Spindellåseknapp
- ③ Ventilasjonsåpning
- ④ Utløserknapp med tilleggsfunksjon for aktivering av ladenivåindikator
- ⑤ Batteri
- ⑥ Innkoblingssperre
- ⑦ Av/på-bryter
- ⑧ Vibrasjonsdempet sidehåndtak
- ⑨ Spindel
- ⑩ Standardbeskyttelsesdeksel
- ⑪ Spennflens med O-ring
- ⑫ Kappeskive/slipeskive
- ⑬ Spennmutter
- ⑭ Hurtigspennmutter **Kwik lock** (ekstrautstyr)
- ⑮ Spennøkkel

#### 3.2 Forskriftsmessig bruk

Det beskrevne produktet er en håndholdt, batteridrevet vinkelsliper. Den er beregnet til kapping og sliping av metalliske og mineralske materialer og fliseboring uten bruk av vann. Den skal bare brukes til tørrsliping og tørrkapping.

- Kapping, slissing og sliping av mineralske arbeidsemner er bare tillatt ved bruk av det tilhørende beskyttelsesdekselet (fås som ekstrautstyr).
- Ved behandling av mineralske underlag som betong og stein må det brukes et tilpasset støvdeksel på en egnet **Hilti**-støvsuger.
- ▶ Til dette produktet må det bare brukes **Hilti** Li-Ion-batterier i serien B 22.
- ▶ Bruk bare **Hilti**-laderne i C4/36-serien til disse batteriene.

#### 3.3 Dette følger med:

vinkelsliper, sidehåndtak, standardbeskyttelsesdeksel, frontvern, spennflens, spennmutter, spennøkkel, bruksanvisning.

I tillegg finner du tillatte systemprodukter til produktet hos nærmeste **Hilti Store** eller under: [www.hilti.group](http://www.hilti.group)

#### 3.4 Temperaturavhengig beskyttelse av maskinen

Den temperaturavhengige motorbeskyttelsen overvåker strømforbruket samt motoroppvarmingen og forhindrer at maskinen blir overopphetet.

Skulle motoren bli overbelastet på grunn av for høyt presstrykk, synker maskinens ytelse merkbart og maskinen kan stanse.

Hvis det oppstår stillstand eller turtallsreduksjon på grunn av overbelastning, må du redusere trykket på maskinen og la den gå ca. 30 sekunder på tomgang.



### 3.5 Beskyttelsesdeksel med frontvern

Til sliping med rette slipeskiver og til kapping med kappeskiver ved bearbeiding av metallemer må du bruke standardbeskyttelsesdeksel med frontvern.

### 3.6 Støvdeksel (kapping) DC-EX 125/5" C kompaktdeksel (tilbehør)

Til kapping av mineralske materialer med diamantkappeskiver må man bruke kompaktdekselet DC-EX 125/5" C.

**FORSIKTIG** Det er forbudt å bearbeide metall med dette dekselet.

### 3.7 Støvdeksel (sliping) DG-EX 125/5" (tilbehør)

Slipesystemet er kun beregnet til sporadisk sliping av mineralmateriale med diamantkoppeskiver.

**FORSIKTIG** Det er forbudt å bearbeide metall med dette dekselet.

### 3.8 Ladenivåindikator for Li-Ion-batteriet

Ladenivået for Li-Ion-batteriet vises når du trykker på en låseknappene for batteriet.

Tilstand	Betydning
4 LED-er lyser.	Ladenivå: 75 % til 100 %
3 LED-er lyser.	Ladenivå: 50 % til 75 %
2 LED-er lyser.	Ladenivå: 25 % til 50 %
1 LED lyser.	Ladenivå: 10 % til 25 %
1 LED blinker.	Ladenivå: < 10 %



Mens arbeidet pågår, og umiddelbart etterpå, er det ikke mulig å vise ladenivået. Ved blinkende LED-er på batteriets ladenivåindikator må du følge henvisningene i kapitlet Feilsøking.

## 4 Forbruksmaterieell

Det må bare brukes kunstharpiksbundete, fiberarmerte skiver til maks. Ø 125 mm, som er tillatt for et turtall på minst 11000/min og en periferhastighet på 80 m/s.

Skivetykkelsen kan maks. være 6,4 mm for slipeskiver og maks. 3 mm for kappeskiver.

**OBS! Ved kapping og slissing med kappeskiver må det alltid brukes standardbeskyttelsesdeksel med ekstra frontvern eller et helt lukket støvdeksel.**

### Skiver

	Bruk	Forkortet kode	Underlag
Abrasive kappeskive	Kapping, slissing	AC-D	Metallisk
Diamantkappeskive	Kapping, slissing	DC-TP, DC-D (SPX, SP, P)	Mineralsk
Abrasive slipeskive	Sliping	AG-D, AF-D, AN-D	Metallisk
Diamantslipeskive	Sliping	DG-CW (SPX, SP, P)	Mineralsk
Diamantborkrone	Fliseboring	DD-M14	Mineralsk

### Tilordning av skivene til utstyret som skal brukes

Pos.	Utstyr	AC-D	AG-D	AF-D	AN-D	DG-CW	DC-D	DD-M14
A	Beskyttelsesdeksel	X	X	X	X	X	X	X
B	Frontvern (sammen med A)	X	—	—	—	—	X	—
C	Støvdeksel (sliping) DG-EX 125/5"	—	—	—	—	X	—	—
D	Støvdeksel (kapping) DC-EX 125/5" C (sammen med A)	—	—	—	—	—	X	—





Pos.	Utstyr	AC-D	AG-D	AF-D	AN-D	DG-CW	DC-D	DD-M14
E	Sidehåndtak	X	X	X	X	X	X	X
F	Bøylehåndtak DCBG 125 (ekstrautstyr til E)	X	X	X	X	X	X	X
G	Spennmutter	X	X	X	X	X	X	—
H	Spennflens	X	X	X	X	X	X	—
I	<b>Kwik lock</b> (ekstrautstyr til G)	X	X	X	X	—	X	—

## 5 Tekniske data

	AG 125-A22
<b>Merkespenning</b>	21,6 V
<b>Nominelt turtall</b>	9 500 o/min
<b>Maksimal skivediameter</b>	125 mm
<b>Vekt i henhold til EPTA Procedure 01 med batteri B228.0</b>	3,3 kg
<b>Spindeldimensjon</b>	M14
<b>Spindellengde</b>	22 mm

### 5.1 Støyinformasjon og vibrasjonsverdier iht. EN 60745

Lydtrykk- og vibrasjonsverdiene som er angitt i denne bruksanvisningen, er målt i samsvar med en normert målemetode og kan brukes til sammenligning av elektroverktøy. De egner seg også til en foreløpig vurdering av eksponeringene. De angitte dataene representerer de viktigste bruksområdene for elektroverktøyet. Men hvis elektroverktøyet brukes til andre formål, med avvikende innsatsverktøy eller med utilstrekkelig vedlikehold, kan dataene avvike. Dette kan øke eksponeringene betraktelig gjennom hele arbeidsperioden. For å få en nøyaktig vurdering av eksponeringene må man også ta hensyn til tidsrommene da maskinen er slått av eller er i gang, men ikke i drift. Dette kan redusere eksponeringene betraktelig gjennom hele arbeidsperioden. Fastsett ekstra sikkerhetstiltak for å beskytte operatøren mot effekten av støy og/eller vibrasjoner, for eksempel: Vedlikehold av elektroverktøy og innsatsverktøy, holde hendene varme, organisering av arbeidsprosesser.

#### Støyinformasjon

<b>Avgitt lydtrykk (<math>L_{pA}</math>)</b>	83 dB(A)
<b>Usikkerhet lydtrykknivå (<math>K_{pA}</math>)</b>	3 dB(A)
<b>Lydeffektnivå (<math>L_{WA}</math>)</b>	94 dB(A)
<b>Usikkerhet lydeffektnivå (<math>K_{WA}</math>)</b>	3 dB(A)

#### Vibrasjonsinformasjon

Andre bruksområder, som kapping, kan føre til avvikende vibrasjonsverdier.

<b>Overflatesliping med vibrasjonsreducerende håndtak (<math>a_{h,AG}</math>)</b>	3,8 m/s <sup>2</sup>
<b>Usikkerhet (K)</b>	1,5 m/s <sup>2</sup>

### 5.2 Batteri

<b>Batteriets driftsspenning</b>	21,6 V
<b>Omgivelsestemperatur under drift</b>	-17 °C ... 60 °C
<b>Lagringstemperatur</b>	-20 °C ... 40 °C
<b>Batteritemperatur ved ladestart</b>	-10 °C ... 45 °C



## 6 Idriftsetting

### 6.1 Sette inn batteri 5

#### FORSIKTIG

**Fare for personskader.** på grunn av utilsikket start av vinkelsliperen.

- ▶ Før batteriet settes inn, må det kontrolleres at vinkelsliperen er slått av og at innkoblingssperren er aktivert.

#### FORSIKTIG

**Elektrisk fare.** Tilsmussede kontakter kan føre til kortslutning.

- ▶ Kontroller at det ikke er fremmedlegemer på kontaktene på batteriet eller kontaktene på vinkelsliperen før du setter batteriet inn i maskinen.

#### FORSIKTIG

**Fare for personskader.** Når batteriet ikke er satt riktig i, kan det falle ut.

- ▶ Kontroller at batteriet sitter godt fast i maskinen, slik at det ikke faller ut og setter deg eller andre personer i fare.
- ▶ Sett i batteriet, og kontroller at batteriet sitter godt i maskinen.

### 6.2 Ta ut batteriet 6

- ▶ Ta ut batteriet.

### 6.3 Montere sidehåndtak

- ▶ Skru sidehåndtaket fast på en av gjengehalsene som er beregnet til formålet.

### 6.4 Montere eller demontere beskyttelsesdekelet

#### FORSIKTIG

**Fare for personskader.** Innsatsverktøyet kan være varmt eller ha skarpe kanter.

- ▶ Bruk vernehansker ved montering, demontering, innstillingsarbeid og feilretting.
- ▶ Les monteringsveiledningen for det aktuelle beskyttelsesdekslet.

#### 6.4.1 Montere beskyttelsesdekelet 7



Beskyttelsesdekelet er utstyrt med styretapper for å sikre at kun riktig deksel kan monteres. Styretappen på beskyttelsesdekelet passer i dekselstet på maskinen.

1. Plasser beskyttelsesdekelet på spindelkragen slik at begge trekantmarkeringene på beskyttelsesdekelet og på maskinen står ovenfor hverandre.
2. Trykk beskyttelsesdekelet inn på spindelkragen.
3. Trykk på dekselets låseknapp.
4. Drei beskyttelsesdekelet til det går i inngrep og dekselets låseknapp spretter tilbake.

#### 6.4.2 Justering av beskyttelsesdeksel

- ▶ Trykk på dekselets låseknapp og vri dekelet i ønsket posisjon til det smekker på plass.

#### 6.4.3 Demontere beskyttelsesdekelet

1. Trykk på låseknappen og vri beskyttelsesdekelet til begge trekantmarkeringene på beskyttelsesdekelet og på maskinen står overfor hverandre.
2. Ta av beskyttelsesdekelet.

### 6.5 Montere eller demontere frontvernet 8



Når frontvernet skal brukes, festes det på beskyttelsesdekelet.



1. Sett frontvernet på standardbeskyttelsesdekselet med den lukkede siden til låsen går i inngrep.
2. Ved demontering åpner du låsen til frontvernet og trekker frontvernet ut av standardbeskyttelsesdekselet.

## 6.6 Plassere støvdeksel (kapping) DC-EX 125/5" C

- ▶ Plasser kompaktdekslet slik at av/på-bryteren alltid er fritt tilgjengelig for betjening.

## 6.7 Montere eller demontere innsatsverktøy

### FORSIKTIG

**Fare for personskader.** Innsatsverktøyet kan være varmt.

- ▶ Bruk vernehansker når du skifter innsatsverktøy.



Diamantskiver må skiftes ut når kutte- eller slipeytelsen blir merkbart dårligere. Vanligvis skjer dette når høyden på diamantsegmentene er lavere enn 2 mm.

Andre skivetyper må skiftes ut når kuttteytelsen blir merkbart dårligere eller deler av vinkelsliperen (unntatt skiven) kommer i kontakt med arbeidsmaterialet under arbeidet.

Slipende skiver må skiftes ut når holdbarhetsdatoen er passert.

### 6.7.1 Montere innsatsverktøy

1. Ta ut batteriet. → Side 52
2. Kontroller om O-ringen er feilfri og på plass i spennflensen.

#### Resultat

O-ringen er ødelagt.

Det er ingen O-ring i spennflensen.

- ▶ Sett in en ny spennflens med O-ring.

3. Sett spennflensen tilpasset og dreiesikkert på spindelen.
4. Sett på innsatsverktøyet.

### ADVARSEL

**Fare for personskader.** Ved bremsing av maskinens motor kan innsatsverktøyet løsne.

- ▶ Vent til innsatsverktøyet har stoppet før du griper tak i innsatsverktøyet eller spennmutteren.
- ▶ Stram innsatsverktøyet og spennflensen så hardt med spennmutteren at ingen deler på maskinens motor kan løsne fra spindelen.

5. Skru fast spennmutteren i samsvar med innsatsverktøyet som brukes.
6. Trykk på spindellåseknappen og hold den inne.
7. Trekk til spennmutteren med skrunøkkelen, slipp deretter spindellåseknappen og fjern skrunøkkelen.

### 6.7.2 Demontere innsatsverktøy

1. Ta ut batteriet. → Side 52

### FORSIKTIG

**Fare for brudd og skade.** Hvis spindellåseknappen trykkes inn mens spindelen roterer, kan innsatsverktøyet løsne.

- ▶ Trykk bare på spindellåseknappen når spindelen står i ro.
2. Trykk på spindellåseknappen og hold den inne.
  3. Løsne spennmutteren ved å sette på spennøkkelen og dreie den mot urviseren.
  4. Slipp spindellåseknappen og ta av innsatsverktøyet.


### 6.7.3 Montere innsatsverktøy med hurtigspennmutteren **Kwik lock**

### FORSIKTIG

**Fare for brudd.** For sterk slitasje kan brette hurtigspennmutteren **Kwik lock**.

- ▶ Unngå kontakt med underlaget når du arbeider med **Kwik lock** hurtigspennmutter.
- ▶ Ikke bruk skadde hurtigspennmuttere **Kwik lock**.



 Hurtigspennmutteren **Kwik lock** (ekstrautstyr) kan brukes i stedet for spennmutteren. Da kan du bytte innsatsverktøy uten å bruke ekstra verktøy.

1. Ta ut batteriet. → Side 52
2. Rengjør spennflensen og hurtigspennmutteren.
3. Sett spennflensen på spindelen.
4. Sett på innsatsverktøyet.
5. Skru hurtigspennmutteren **Kwik lock** på til den sitter fast på innsatsverktøyet.
  - ▶ Teksten **Kwik lock** er synlig i påskrudd tilstand.
6. Trykk på spindellåseknappen og hold den inne.
7. Drei innsatsverktøyet hardt videre for hånd med urviseren til hurtigspennmutteren **Kwik lock** er strammet godt. Slipp deretter spindellåseknappen.

#### 6.7.4 Demontere innsatsverktøy med hurtigspennmutteren **Kwik lock**

1. Ta ut batteriet. → Side 52

##### **FORSIKTIG**

**Fare for brudd og skade.** Hvis spindellåseknappen trykkes inn mens spindelen roterer, kan innsatsverktøyet løsne.

- ▶ Trykk bare på spindellåseknappen når spindelen står i ro.
2. Trykk på spindellåseknappen og hold den inne.
  3. Løsne hurtigspennmutteren **Kwik lock** ved å dreie hurtigspennmutteren mot urviseren for hånd.
  4. Hvis hurtigspennmutteren **Kwik lock** ikke kan løsnes for hånd, setter du en spennøkkel på hurtigspennmutteren og dreier den mot urviseren.



Ikke bruk rørtang, det kan skade hurtigspennmutteren **Kwik lock**.

5. Slipp spindellåseknappen og ta av innsatsverktøyet.

#### 6.7.5 Montere borkronen

1. Ta ut batteriet. → Side 52
2. Monter sidehåndtaket. → Side 52
3. Monter beskyttelsesdekslet. → Side 52
4. Sett på borkronen og skru den fast for hånd.
5. Trykk på spindellåseknappen og hold den inne.
6. Trekk til borkronen med en egnet fastnøkkel.
7. Slipp deretter spindellåseknappen og fjern fastnøkkelen.

## 7 Betjening

### 7.1 Sliping

##### **FORSIKTIG**

**Fare for personskader.** Innsatsverktøyet kan plutselige blokkeres eller forkiles.

- ▶ Bruk alltid maskinen med sidehåndtaket (som ekstrautstyr med bøylehåndtak), og hold den fast med begge hender.

### 7.2 Kapping

- ▶ Ved kapping bør du arbeide med moderat fremføring og ikke holde maskinen eller kappeskiven skjevt (arbeidsposisjon er ca. 90° i forhold til kappeområdet).



Profil og små firkantrør kappes best ved å legge kappeskiven an mot det minste tverrsnittet.



### 7.3 Sliping

#### **FORSIKTIG**

**Fare for personskader.** Kappeskiven kan bryte, og løsnede deler kan føre til personskader.

- ▶ Bruk aldri kappeskiver til sliping.
- ▶ Beveg maskinen frem og tilbake med en innstillingsvinkel på 5° til 30° og moderat trykk.
  - ▶ Arbeidsemnet blir ikke for varmt eller misfarget og du får ingen riller.

### 7.4 Slå på med av/på-bryter med innkoblingssperre

Med av/på-bryteren med innkoblingssperre kan du kontrollere bryterfunksjonen og hindre utilsiktet innkobling av maskinen.

1. Trykk innkoblingssperren fremover.
  - ▶ Av/på-bryteren låses opp.
2. Trykk av/på-bryteren helt ned.
  - ▶ Maskinens motor kjører med tomgangsturtall.

### 7.5 Slå av med av/på-bryter med innkoblingssperre

- ▶ Slipp av/på-bryteren.
  - ▶ Innkoblingssperren går automatisk i sperreposisjon.

## 8 Service og vedlikehold

#### **ADVARSEL**

**Fare for personskader på grunn av isatt batteri !**

- ▶ Ta alltid ut batteriet før stell og vedlikeholdsarbeid!

#### Stell av maskinen

- Fjern gjenstridig smuss forsiktig.
- Rengjør ventilasjonsåpningene forsiktig med en tørr børste.
- Rengjør huset bare med en lett fuktet klut. Ikke bruk silikonholdige pleiemiddel, da dette kan angripe plastdelene.

#### Stell av Li-Ion-batterier

- Hold batteriet rent og fritt for olje og fett.
- Rengjør huset bare med en lett fuktet klut. Ikke bruk silikonholdige pleiemiddel, da dette kan angripe plastdelene.
- Unngå inntrenging av fuktighet.

#### Vedlikehold

- Kontroller alle synlige deler regelmessig mht. skade og alle betjeningselementene mht. feilfri funksjon.
- Ved skader og/eller funksjonsfeil må produktet ikke brukes. Få maskinen reparert av **Hilti** service snarest mulig.
- Etter stell- og vedlikeholdsarbeid må alle beskyttelsesinnretninger monteres, og det må foretas funksjonskontroll av dem.

Av hensyn til sikkerheten må du bare bruke originale reservedeler og forbruksmaterialer. Reservedeler, forbruksmaterialer og tilbehør til produktet, som er godkjent av oss, finner du hos **Hilti Store** eller under: [www.hilti.group](http://www.hilti.group).

## 9 Transport og lagring av batterier

#### Transport

#### **FORSIKTIG**

**Utilsiktet start under transport !**

- ▶ Transporter alltid produktene dine uten batterier!



- ▶ Ta ut batteriene.
- ▶ Ikke transporter batterier upakket.
- ▶ Etter en lengre transport må maskin og batterier kontrolleres med hensyn til skade før bruk.

### Lagring



#### FORSIKTIG

#### Utilsiktet skade på grunn av defekte batterier eller lekkasje fra batterier !

- ▶ Oppbevar alltid produktene dine uten batterier!
- ▶ Oppbevar maskin og batterier mest mulig kaldt og tørt.
- ▶ Batteriene må aldri lagres i solen, på en radiator eller bak glassruter.
- ▶ Oppbevar maskin og batterier utenfor barns og uvedkommendes rekkevidde.
- ▶ Etter lengre tids oppbevaring må maskin og batterier kontrolleres med hensyn til skade før bruk.

## 10 Feilsøking

Ved feil som ikke står i denne tabellen eller som du selv ikke kan rette opp, må du kontakte **Hilti Service**.

### 10.1 Feilsøking

Feil	Mulig årsak	Løsning
Batteriet lades ut raskere enn vanlig.	Svært lave omgivelses-temperaturer.	▶ La batteriet varmes langsomt opp til romtemperatur.
Batteriet festes ikke med et hørbart klikk.	Festetappene på batteriet er skitne.	▶ Rengjør festetappene og sett batteriet inn igjen.
1 LED blinker.	Batteriet er utladet.	▶ Skift batteri og lad tomt batteri.
Maskinen fungerer ikke.	Batteriet er for kaldt eller for varmt.	▶ La batteriet varmes langsomt opp til romtemperatur eller avkjøles.
Alle 4 LED-er blinker. Maskinen fungerer ikke.	Maskinen er overbelastet.	▶ Slipp kontrollbryteren og trykk den inn på nytt. La deretter maskinen gå i ca. 30 sekunder på tomgang.
Kraftig varmeutvikling i vinkelsliperen eller batteriet.	Elektrisk defekt	▶ Slå maskinen av umiddelbart, ta ut batteriet, undersøk det, la det avkjøles og kontakt <b>Hilti service</b> .
Maskinen yter ikke maksimalt.	Batteri med for liten kapasitet er satt inn.	▶ Bruk et batteri med tilstrekkelig kapasitet.
Ingen bremsefunksjon for motoren.	Batteriet er utladet.	▶ Skift batteri og lad tomt batteri.
	Maskinen er kortvarig overopphetet.	▶ Slipp kontrollbryteren og trykk den inn på nytt.

## 11 Avhending

**Hilti**-apparater er i stor grad laget av resirkulerbart materiale. En forskriftsmessig materialsortering er en forutsetning for resirkulering. I mange land tar **Hilti** ditt gamle apparat i retur. Spør **Hilti** kundeservice eller forhandleren din.

### Avhending av batterier

Ved ukynndig avhending av batterier kan gasser eller væsker som lekker ut, representere helsefare.

- ▶ Ikke send skadde batterier i posten eller på annen måte!
- ▶ Dekk til kontaktene med et ikke-ledende materiale for å unngå kortslutning.
- ▶ Kasser batterier slik at de er utilgjengelige for barn.
- ▶ Lever inn batteriet i nærmeste **Hilti Store**, eller kontakt et lokalt renovasjonsfirma.



- ▶ Kast aldri elektroverktøy, elektronisk utstyr eller batterier i husholdningsavfallet!



## 12 RoHS (direktiv for begrensning av bruk av farlige stoffer)

Under følgende lenke finner du tabellen over farlige stoffer: [qr.hilti.com/r3958236](http://qr.hilti.com/r3958236).  
Du finner en lenke til RoHS-tabellen helt til slutt i denne dokumentasjonen som QR-kode.

## 13 Produsentgaranti

- ▶ Når det gjelder spørsmål om garantibetingelser, ber vi deg kontakte din lokale **Hilti**-partner.

# Alkuperäiset ohjeet

## 1 Dokumentaation tiedot

### 1.1 Tästä dokumentaatiosta

- Lue ehdottomasti tämä dokumentaatio ennen tuotteen käyttöönottoa. Se on turvallisen työn teon ja tuotteen ongelmattoman käsittelyn perusedellytys.
- Noudata tässä dokumentaatiossa ja tuotteessa olevia turvallisuus- ja varoitushuomautuksia.
- Säilytä käyttöohje aina tuotteen yhteydessä ja varmista, että käyttöohje on mukana, kun luovutat tuotteen toiselle henkilölle.

### 1.2 Merkkien selitykset

#### 1.2.1 Varoitushuomautukset

Varoitushuomautukset varoittavat tuotteen käyttöön liittyvistä vaaroista. Seuraavia varoitustekstejä käytetään:



**VAKAVA VAARA**

**VAKAVA VAARA !**

- ▶ Varoittaa uhkaavasta vaaratilanteesta, josta voi seurauksena olla vakava loukkaantuminen tai jopa kuolema.



**VAARA**

**VAARA !**

- ▶ Varoittaa mahdollisesta vaarasta, josta voi seurauksena olla vakava loukkaantuminen tai kuolema.



**VAROITUS**

**VAROITUS !**

- ▶ Varoittaa mahdollisesta vaaratilanteesta, josta voi seurata loukkaantuminen tai aineellinen vahinko.

#### 1.2.2 Symbolit dokumentaatiossa

Tässä dokumentaatiossa käytetään seuraavia symboleita:

	Lue käyttöohje ennen käyttämistä
	Toimintaohjeita ja muuta hyödyllistä tietoa
	Kierrätyskelpoisten materiaalien käsittely
	Älä hävitä sähkölaitteita ja akkuja tavallisen sekajätteen mukana

#### 1.2.3 Symbolit kuvissa

Kuvissa käytetään seuraavia symboleita:

<b>2</b>	Nämä numerot viittaavat vastaavaan kuvaan tämän käyttöohjeen alussa
----------	---



3	Numerointi kertoo työvaiheiden järjestyksen kuvissa ja saattaa poiketa numeroinnista tekstissä
	Kohtanumeroita käytetään kuvassa <b>Yleiskuva</b> , ja ne viittaavat kuvatekstien numerointiin kappaleessa <b>Tuoteyhteenvedo</b>
	Tämän merkin tarkoitus on kiinnittää erityinen huomiosi tuotteen käyttöön ja käsittelyyn.

### 1.3 Tuotekohtaiset symbolit

#### 1.3.1 Symbolit tuotteessa

Tuotteessa voidaan käyttää seuraavia symboleita:

	Käytä suojalaseja
n	Nimelliskierros-luku
/min	Kierrosta minuutissa
RPM	Kierrosta minuutissa
	Halkaisija
	Tasavirta
Li-Ion	Litiumioniakku
	Käytettävien <b>Hilti</b> -litiumioniakkujen tyyppisarja. Ota kappaleessa <b>Tarkoituksenmukainen käyttö</b> annetut tiedot huomioon.
	Älä koskaan käytä akkua lyöntityökaluna.
	Älä päästä akkua putoamaan. Älä käytä akkua, johon on kohdistunut isku tai joka on muutoin vaurioitunut.
	Tämä kone tukee iOS- ja Android-alustojen kanssa yhteensopivaa NFC-teknologiaa.

### 1.4 Tuotetiedot

**HILTI** -tuotteet on tarkoitettu ammattikäyttöön, ja niitä saa käyttää, huoltaa tai korjata vain valtuutettu, koulutettu henkilö. Käyttäjän pitää olla hyvin perillä käyttöön liittyvistä vaaroista. Tuote ja sen varusteet saattavat aiheuttaa vaaratilanteita, jos kokemattomat henkilöt käyttävät tuotetta ohjeiden vastaisesti tai muutoin asiattomasti.

Tyyppimerkinnän ja sarjanumeron löydät tyyppikilvestä.

- Kirjoita sarjanumero oheiseen taulukkoon. Tuotteen tiedot tarvitaan, jos esität kysymyksiä myynti- tai huoltoedustajallemme.

#### Tuotetiedot

Kulmahiomakone	AG 125-A22
Sukupolvi	02
Sarjanumero	

### 1.5 Vaatimustenmukaisuusvakuutus

Vakuutamme, että tässä kuvattu tuote täyttää voimassa olevien direktiivien ja standardien vaatimukset. Kuva vaatimustenmukaisuusvakuutuksesta on tämän dokumentaation lopussa.

Tekninen dokumentaatio löytyy tästä:

**Hilti** Entwicklungsgesellschaft mbH | Zulassung Geräte | Hiltistraße 6 | 86916 Kaufering, DE





## 2 Turvallisuus

### 2.1 Turvallisuusohjeet

#### 2.1.1 Sähkötyökaluja koskevat yleiset turvallisuusohjeet

**⚠ VAARA! Lue kaikki turvallisuus- ja käyttöohjeet.** Turvallisuus- ja käyttöohjeiden noudattamatta jättäminen saattaa johtaa sähköiskuun, tulipaloon ja/tai vakavaan loukkaantumiseen.

Säilytä kaikki turvallisuus- ja käyttöohjeet huolellisesti vastaisen varalle.

#### Työpaikan turvallisuus

- ▶ **Pidä työskentelyalue siistinä ja hyvin valaistuna.** Työpaikan epäjärjestys ja valaisemattomat työalueet voivat johtaa tapaturmiin.
- ▶ **Älä käytä sähkötyökalua räjähdysalttiissa ympäristössä, jossa on syttyvää nestettä, kaasua tai pölyä.** Sähkötyökalut synnyttävät kipinöitä, jotka saattavat sytyttää pölyn tai höyryt.
- ▶ **Pidä lapset ja sivulliset loitolla sähkötyökalua käyttäessäsi.** Voit menettää laitteen hallinnan huomiosi suuntautuessa muualle.

#### Sähköturvallisuus

- ▶ **Vältä koskettamasta maadotettuihin pintoihin kuten putkiin, pattereihin, liesiin ja jääkaappeihin.** Sähköiskun vaara kasvaa, jos kehosi maadottuu.
- ▶ **Älä aseta sähkötyökalua alttiiksi sateelle tai kosteudelle.** Veden tunkeutuminen sähkötyökalun sisään lisää sähköiskun vaaraa.

#### Henkilöturvallisuus

- ▶ **Ole valpas, kiinnitä huomiota työskentelyysi ja noudata tervettä järkeä sähkötyökalua käyttäessäsi.** Älä käytä sähkötyökalua, jos olet väsynyt tai huumeiden, alkoholin tai lääkkeiden vaikutuksen alaisena. Sähkötyökalua käytettäessä hetkellinenkin varomattomuus saattaa aiheuttaa vakavia vammoja.
- ▶ **Käytä henkilökohtaisia suojavarusteita ja aina suojalaseja.** Henkilökohtaiset suojavarusteet, kuten hengityssuojain, luistamattomat turvajalkineet, kypärä ja kuulosuojaimet, pienentävät oikein käytettyinä loukkaantumisriskiä sähkötyökalun käyttötilanteesta riippuen.
- ▶ **Varo tahatonta käynnistämistä.** Varmista, että sähkötyökalu on kytketty pois päältä, ennen kuin liität siihen akun, otat sen käteesi tai kannat sitä. Jos kannat sähkötyökalua sormi käyttökytkimellä tai liität pistokkeen pistorasiaan käyttökytkimen ollessa käyntiasennossa, altistat itsesi onnettomuuksille.
- ▶ **Poista kaikki säätötyökalut ja ruuvitaltat, ennen kuin käynnistät sähkötyökalun.** Työkalu tai avain, joka sijaitsee laitteen pyörivässä osassa, saattaa johtaa loukkaantumiseen.
- ▶ **Vältä vaikeita työskentelyasentoja.** Varmista aina tukeva seisoma-asento ja tasapaino. Siten voit paremmin hallita sähkötyökalua odottamattomissa tilanteissa.
- ▶ **Käytä työhösi soveltuvia vaatteita. Älä käytä löysiä työvaatteita tai koruja. Pidä hiukset, vaatteet ja käsineet loitolla liikkuvista osista.** Väljät vaatteet, korut ja pitkät hiukset voivat takertua liikkuviin osiin.
- ▶ **Jos pölynpoisto- ja keräilylaitteita voidaan asentaa, sinun on tarkastettava, että ne on liitetty oikein ja että niitä käytetään oikealla tavalla.** Pölynpoistovarustuksen käyttö vähentää pölyn aiheuttamia vaaroja.

#### Sähkötyökalun käyttö ja käsittely

- ▶ **Älä ylikuormita laitetta.** Käytä kyseiseen työhön tarkoitettua sähkötyökalua. Sopivaa sähkötyökalua käyttäen työskentelet paremmin ja varmemmin tehoalueella, jolle sähkötyökalu on tarkoitettu.
- ▶ **Älä käytä sähkötyökalua, jonka käyttökytkin ei toimi.** Sähkötyökalu, jota ei enää voida käynnistää ja pysäyttää käyttökytkimellä, on vaarallinen ja se täytyy korjata.
- ▶ **Irrota akku, ennen kuin muutat laitteen asetuksia tai vaihdat lisävarusteosia, tai kun lopetat laitteen käyttämisen.** Tämä turvatoimenpide estää sähkötyökalun tahattoman käynnistysriskin.
- ▶ **Säilytä sähkötyökalut poissa lasten ulottuvilta, kun niitä ei käytetä. Älä anna toisten henkilöiden käyttää sähkötyökalua, elleivät he ole perehtyneet sen käyttöön ja lukeneet käyttöohjeita.** Sähkötyökalut ovat vaarallisia, jos niitä käyttävät kokemattomat henkilöt.
- ▶ **Hoida sähkötyökalujasi huolellisesti.** Tarkasta, että liikkuvat osat toimivat moitteettomasti eivätkä ole puristuksissa, ja tarkasta myös, ettei sähkötyökalussa ole murtuneita tai vaurioituneita osia, jotka saattaisivat haitata sen toimintaa. Korjauta vaurioituneet osat ennen työkalun käyttämistä. Usein loukkaantumisten ja tapaturmien syy on sähkötyökalujen laiminlyöty huolto.
- ▶ **Pidä terät terävinä ja puhtaina.** Huolella hoidetut terät, joiden leikkausreunat ovat teräviä, eivät jumitu herkästi, ja niillä työnteko on kevyempää.
- ▶ **Käytä sähkötyökalua, lisävarusteita ja tarvikkeita, teriä jne. niiden käyttöohjeiden mukaisesti. Ota tällöin työolosuhteet ja suoritettava työtehtävä huomioon.** Sähkötyökalun käyttö muuhun kuin sille tarkoitettuun käyttöön saattaa johtaa vaarallisiin tilanteisiin.



## Akkukäyttöisen sähkötyökalun käyttö ja käsittely

- ▶ **Lataa akku vain valmistajan suositamalla laturilla.** Jos laturi on tarkoitettu vain tietyn akkumallin lataamiseen, palovaara on olemassa, jos laturia käytetään muiden akkujen lataamiseen.
- ▶ **Käytä ainoastaan juuri kyseiseen sähkötyökaluun tarkoitettua akkua.** Jonkun muun akun käyttö saattaa johtaa loukkaantumiseen ja tulipaloon.
- ▶ **Pidä irrallinen akku loitolla metalliesineistä, kuten paperinliittimistä, kolkkoista, avaimista, nau-loista, ruuveista tai muista pienistä metalliesineistä, jotka voivat oikosulkea akun liittimet.** Akun liittimien välinen oikosulku saattaa aiheuttaa palovammoja tai johtaa tulipaloon.
- ▶ **Väärästä käytöstä johtuen saattaa akusta vuotaa nestettä, jota ei saa koskettaa. Vältä kosketusta sen kanssa.** Akusta vuotava neste saattaa aiheuttaa ärsytystä ja palovammoja. Huuhtelee kosketuskohta vedellä. Jos nestettä pääsee silmiin, tarvitaan lisäksi lääkärin apua.

## Huolto

- ▶ **Anna koulutettujen ammattihenkilöiden korjata sähkötyökalusi ja hyväksy korjauksiin vain alkupe-räisiä varaosia.** Siten varmistat, että sähkötyökalu säilyy turvallisena.

### 2.1.2 Yhteiset turvallisuusohjeet koskien hiontaa, hiontaa hiomapaperilla, harjaterien käyttöä, kiil-lottamista ja katkaisuhiontaa:

- ▶ **Tätä sähkötyökalua on käytettävä hiomakoneena tai katkaisuhiomakoneena. Ota huomioon kaikki turvallisuusohjeet, ohjeet, kuvat ja tiedot, jotka saat koneen ja sen käyttöohjeen mukana.** Jos et noudata seuraavia ohjeita, saatat saada sähköiskun, aiheuttaa tulipalon ja / tai loukkaantua vakavasti.
- ▶ **Tämä sähkötyökalu ei sovellu hiomiseen hiomapaperia käyttäen, harjaamiseen ja kiillottamiseen.** Tämän sähkötyökalun käyttäminen muihin työtehtäviin, kuin mihin kone on suunniteltu, saattaa aiheuttaa vaaratilanteita ja loukkaantumisia.
- ▶ **Älä käytä lisävarusteita tai tarvikkeita, joita valmistaja ei erityisesti ole suunnitellut ja suositellut tähän sähkötyökaluun.** Vaikka pystyisitkin kiinnittämään lisävarusteen tai tarvikkeen sähkötyökaluusi, kokonaisuus ei välttämättä ole käytön kannalta turvallinen.
- ▶ **Koneeseen kiinnitetyn työkaluterän sallitun kierrosluvun pitää olla vähintään yhtä suuri kuin sähkötyökalun ilmoitettu maksimikierros-luku.** Sallittua nopeammin pyörivä työkaluterä saattaa murtua, jolloin sen kappaleita voi sinkoutua vaarallisesti.
- ▶ **Työkaluterän ulkohalkaisijan ja vahvuuden pitää vastata sähkötyökalun tiedoissa annettuja mitta-tietoja.** Mitoitukseltaan vääranlaista työkaluterää ei suojata tai valvota oikein.
- ▶ **Kiinnityskierteellisten työkaluterien pitää tarkasti sopia koneen hiomakaran kierteeseen. Jos työkaluterä kiinnitetään laipalla, työkaluterän reiän halkaisijan pitää sopia kiinnityskohdan halkaisijaan laipassa.** Työkaluterät, joita ei saa tarkasti oikein kiinnitettyä sähkötyökaluun, pyörivät epätasaisesti, tärisevät voimakkaasti ja saattavat johtaa sähkötyökalun hallinnan menettämiseen.
- ▶ **Älä kiinnitä vaurioituneita työkaluteriä.** Tarkasta työkaluterän kunto aina ennen käyttämistä; tarkasta esimerkiksi hiomalaikan mahdolliset murtumat ja halkeamat, hiomalautasen murtumat ja kuluneisuus sekä harjaustyökalujen irronneet tai katkenneet harjat. Jos sähkötyökalu tai siihen tarkoitettu työkaluterä putoaa, tarkasta, ettei vaurioita syntynyt tai käytä ehjää työkaluterää. Kun olet tarkastanut ja kiinnittänyt työkaluterän, pysy itse ja pidä muut henkilöt turvallisen etäällä pyörivästä työkaluterästä ja käytä konetta minuutin ajan huippukierrosluvulla. Vaurioitunut työkaluterä ei yleensä kestä tätä testi-aikaa.
- ▶ **Käytä henkilökohtaista suojavarustustasi.** Käytä työtehtävästäsi riippuen kokokasvosuojusta, sil-mäsuoja tai suojalaseja. Tarpeen mukaan käytä hengityssuojainta, kuulosuojaimia, suojakäsineitä ja suojaesiliinaa, jotka suojaavat sinua hionta- ja materiaalihiukkasilta. Suojaa silmäsi erilaisissa työtehtävissä siskoileivilta hiukkasilta ja muruilta. Pöly- ja hengityssuojaimen pitää pystyä suodattamaan työtehtävässä syntyvä pöly. Jos pitemmän aikaa altistut kovalle melulle, kuulosi saattaa vaurioitua.
- ▶ **Ota myös muut ihmiset työpisteesi lähistöllä huomioon. Kaikkien työpisteesi alueelle tulevien henkilöiden pitää käyttää henkilökohtaisia suojavarusteitaan.** Työkappaleesta tai työkaluterästä sinkoavat kappaleet saattavat aiheuttaa vammoja varsinaisen työpisteesi alueen ulkopuolellakin.
- ▶ **Pidä sähkötyökalusta kiinni vain sen eristetyistä kahvapinnoista, jos teet työtä, jossa sähkötyökalun työkaluterä saattaa osua rakenteen sisällä olevaan virtajohtoon.** Jos terä osuu virtajohtoon, koneen metalliosiin saattaa johtua virta, jolloin saatat saada sähköiskun.
- ▶ **Pidä verkkojohto mahdollisimman etäällä pyörivästä työkaluterästä.** Jos menetät koneen hallinnan, terä saattaa osua verkkojohtoon tai tarttua kiinni johonkin tai saatat satuttaa kätesi tai käsivartesi pyörivään työkaluterään.
- ▶ **Älä koskaan laske sähkötyökalua käsistäsi ennen kuin sen työkaluterä on täysin pysähtynyt.** Pyörivä työkaluterä saattaa vaarallisesti osua laskutason pintaan, minkä seurauksena saatat menettää koneen hallinnan.



- ▶ **Älä pidä sähkötyökalua käynnissä, kun kannat sitä.** Vaatteesi saattaisivat osua pyörivään työkaluterään, minkä seurauksena työkaluterä saattaisi leikkautua kehoosi.
- ▶ **Puhdista sähkötyökalusi jäädytysilmaraoit säännöllisin välein.** Moottorin jäädytyspuhallin imee pölyä koneen kotolon sisään, ja metallipölyn suuri määrä voi aiheuttaa sähköisen vaaratilanteen.
- ▶ **Älä käytä sähkötyökalua syttyvien materiaalien lähellä.** Kipinät saattaisivat sytyttää tällaiset materiaalit.
- ▶ **Älä käytä sähkötyökalussa työkaluteriä, jotka vaativat jäädytystä nesteellä.** Veden tai muun nesteen käyttö jäädytykseen saattaa aiheuttaa sähköiskun.

### Takaisku ja siihen liittyvät turvallisuusohjeet

Takaiskulla tarkoitetaan pyörivän työkaluterän kuten hiomalaikan, hiomalautasen, harjaterän jne. kiinni tarttumisen tai juuttumisen seurauksena tapahtuvan työkaluterän äkillisen pysähtymisen aiheuttamaa koneen äkillistä reaktiota. Sen seurauksena sähkötyökalu liikahtaa juuttumiskohdasta hallitsemattomasti työkaluterän käyttösuuntaan nähden vastakkaiseen suuntaan.

Jos esimerkiksi hiomalaikka tarttuu kiinni tai juuttuu työkalupaleeseen, hiomalaikan työkalupaleeseen opotettu reuna pureutuu kiinni ja sen seurauksena kone saattaa iskeä takaisin. Hiomalaikka liikahtaa koneen käyttäjää kohti tai hänestä pois päin, riippuen laikan pyörimissuunnasta juuttumiskohdassa. Tällöin hiomalaikka saattaa myös murtua.

Takaisku aiheutuu sähkötyökalun vääristä tai virheellisestä käytämisestä. Sen esiintymistä voit välttää noudattamalla seuraavassa annettuja ohjeita.

- ▶ **Pidä sähkötyökalusta kunnolla kiinni ja pidä kehosi sekä kätesi asennossa, jossa pystyt hyvin vastustamaan takaiskuvoimia.** Käytä aina lisäkahvaa, jos koneessa sellainen on, jotta pystyt parhaalla mahdollisella tavalla vastustamaan koneen takaiskuvoimia ja reaktiovoimia työn tekemisen ja aloittamisen aikana. Käyttäjän pitää tuntea takaisku- ja reaktiovoimien aiheuttamat vaarat.
- ▶ **Älä koskaan vie kättäsi pyörivän työkaluterän lähelle.** Työkaluterä saattaisi takaiskutilanteessa osua käteesi.
- ▶ **Pyri pitämään sähkötyökalua siten, että kehosi ei ole sähkötyökalun takaiskun kannalta vaarallisella alueella.** Takaisku liikuttaa sähkötyökalua työstöliikkeen vastakkaiseen suuntaan hiomalaikan juutuessa.
- ▶ **Tee työtä erityisen varovasti reunojen, terävien kulmien jne. lähellä. Varo, ettei työkaluterä pääse iskemään takaisin työkalupaleesta pois päin tai tartuttamaan kiinni.** Pyörivä työkaluterä pyrkii tartuttamaan kiinni kulmien tai terävien reunojen lähellä tai vaurioituunsa. Silloin seurauksena on hallinnan menettäminen tai takaisku.
- ▶ **Älä käytä ketjusahanterää tai hammastettua sahanterää.** Tällaiset työkaluterät aiheuttavat usein takaiskuja tai sähkötyökalun hallinnan menettämisen.

### Erityiset turvallisuusohjeet koskien hiontaa ja katkaisuhiontaa:

- ▶ **Käytä ainoastaan sähkötyökaluusi tarkoitettuja hiomatyökaluja ja näille hiomatyökaluille tarkoitettua teräsuojusta.** Hiomatyökalut, joita ei ole tarkoitettu tähän sähkötyökaluun, ovat riittämättömästi suojattuja ja käytössä epävarmoja.
- ▶ **Taivutettu hiomalaikka on kiinnitettävä siten, että laikan hiomapinta-ala ei ulotu teräsuojuksen reunatason yli.** Virheellisesti kiinnitetty hiomalaikka, joka ulottuu teräsuojuksen reunatason yli, ei ole riittävästi suojattu.
- ▶ **Teräsuojus pitää kiinnittää sähkötyökaluun ja säätää siten, että turvallisuus on paras mahdollinen, ts. siten, että mahdollisimman pieni osa hiomatyökalusta on näkyvissä käyttäjän suuntaan.** Teräsuojuksen tehtävä on suojata käyttäjää sinkoilevilta kappaleilta, estää hiomatyökalun koskettaminen vahingossa ja suojata kipinoilta, jotka saattaisivat esimerkiksi sytyttää vaatteet.
- ▶ **Hiomatyökaluja saa käyttää vain niiden suositeltuihin käyttötarvikkeisiin.** Esimerkiksi: **Älä koskaan käytä katkaisulaikan kylkipintaa hiomiseen.** Katkaisulaikat on tarkoitettu materiaalin leikkaamiseen laikan kehäpinnalla. Jos laikkaan vaikuttaa sivusuuntainen voima, siitä saattaa irota hioma-ainepalasia.
- ▶ **Käytä aina ehjää, oikean kokoista ja oikean muotoista kiinnitysliappaa valitsemasi hiomalaikan kiinnittämiseen.** Kunnolla sopivat laipat tukevat hiomalaikkaa ja vähentävät siten laikkapalasten irtoamisvaaraa. Katkaisulaikkojen laipat voivat olla erilaiset kuin muiden hiomalaikkojen laipat.
- ▶ **Älä käytä suurempien sähkötyökalujen kuluneita hiomalaikkoja.** Suurempien sähkötyökalujen hiomalaikkoja ei ole suunniteltu pienempien sähkötyökalujen suuremmille kierrosluvuille, joten tällaiset laikat saattavat murtua.

### Lisää erityisiä turvallisuusohjeita koskien katkaisuhiontaa:

- ▶ **Vältä katkaisulaikan juuttumista tai liian suurta laikkaan kohdistuvaa painamisvoimaa. Älä leikkaa turhan syvältä.** Katkaisulaikan ylikuormittaminen lisää laikkaan kohdistuvaa rasitusta sekä laikan herkkyyttä kantata tai juuttua ja siten takaiskun vaaraa tai laikan murtumisen vaaraa.
- ▶ **Varo aluetta pyörivän katkaisulaikan etu- ja takapuolella.** Jos katkaisulaikka liikkuu itsestään työkalupaleesta pois päin, pyörivä terä saattaa osua sinuun sähkötyökalun iskissä takaisin.



- ▶ Jos katkaisulaikka tarttuu kiinni tai keskeytät työn teon, kytke kone pois päältä ja odota, kunnes laikka on kokonaan pysähtynyt. Älä koskaan yritä nostaa katkaisulaikkaa pois leikkausraosta, sillä muutoin kone saattaa iskeä takaisin. Määritä ja poista kiinni tarttumisen syy.
- ▶ Älä kytke sähkötyökalu päälle, jos sen terä on työkappaleessa. Anna katkaisulaikan ensin saavuttaa täysi kierroslukunsa, ennen kuin varovasti jatkat leikkaamista. Muutoin laikka saattaa kantata, ponnahtaa työkappaleesta tai aiheuttaa takaiskun.
- ▶ Tue levyt tai suuremmat työkappaleet hyvin, jotta katkaisulaikan mahdollisen kiinni tarttumisen aiheuttama takaiskuvaara vähenee. Suuremmat työkappaleet saattavat oman painonsa vuoksi taipua. Työkappaletta on siksi tuettava molemmilta sivuilta ja katkaisukohtaan sekä reunan läheltä.
- ▶ Ole erityisen varovainen upottaessasi terää seinään tai muuhun kohteeseen, jonka rakennetta et näe tarkasti. Kun upotat katkaisulaikkaa, rakenteen sisällä olevat kaasu- tai vesiputket, sähköjohdot tai muut esineet saattavat aiheuttaa takaiskun.

### 2.1.3 Muut turvallisuusohjeet

#### Henkilöturvallisuus

- ▶ Käytä vain tuotetta, joka on teknisesti moitteettomassa kunnossa.
- ▶ Älä koskaan tee koneeseen minkäänlaisia muutoksia.
- ▶ Varo, ettet koske pyöriin osiin - loukkaantumisvaara!
- ▶ Käytä työkaluterän vaihdossa suojakäsineitä. Työkaluterän koskettaminen saattaa aiheuttaa haavoja ja palovammoja.
- ▶ Selvitä työssä syntyvän pölyn vaarallisuus ennen työn aloittamista. Käytä rakennustyömaakäyttöön hyväksyttyä pölynimuria, joka täyttää viralliset pölysuojaluokitusmääräykset. Tiettyjen materiaalien kuten liijypitöisen maalin, joidenkin puulajien, kvartsia sisältävän betonin / muurauksen / kivetyksen ja mineraalien sekä metallien pölyt voivat olla terveydelle vaarallisia.
- ▶ Varmista työpisteen hyvä tuuletus ja tarvittaessa käytä hengityssuojainta, joka soveltuu kyseessä olevalla pölyllä. Pölyjen ihokosketus tai hengittäminen saattaa aiheuttaa allergisia reaktioita ja/tai hengitystiesairauksia koneen käyttäjälle tai lähellä oleville henkilöille. Tietty pölyt kuten tammen tai pyökin pöly on luokiteltu syöpää aiheuttaviksi, erityisesti jos niihin liittyy puunkäsittelyn lisäaineita (kromaatti, puunsuoja-aineet). Asbestia sisältäviä materiaaleja saavat työstää vain erikoiskoulutetut henkilöt.
- ▶ Pidä työssäsi taukoja, joiden aikana tee sormivoimisteluliikkeitä varmistaaksesi sormiesi hyvän verenkierron. Pitempään jatkuva työntö saattaa tärinän vuoksi aiheuttaa verenkiertohäiriötä tai sormien, käsien ja ranteiden hermokipuja.

#### Sähköturvallisuus

- ▶ Tarkasta ennen työn aloittamista, onko työskentelyalueella rakenteiden sisälle asennettuja sähköjohtoja tai kaasu- ja vesiputkia. Koneen ulkopinnan metalliosista saatat saada sähköiskun, jos vahingossa osut sähköjohtoon.

#### Sähkötyökalujen käyttö ja hoito

- ▶ Älä koskaan käytä katkaisulaikkoja hiomiseen.
- ▶ Kiristä työkaluterä ja laippa kunnolla kiinni. Jos työkaluterä ja laippa eivät ole kunnolla kiinni kiristetty, työkaluterä saattaa irrota karasta koneen moottorin jarruttaessa.
- ▶ Noudata valmistajan antamia ohjeita koskien hiomalaikkojen käsittelyä ja säilyttämistä.

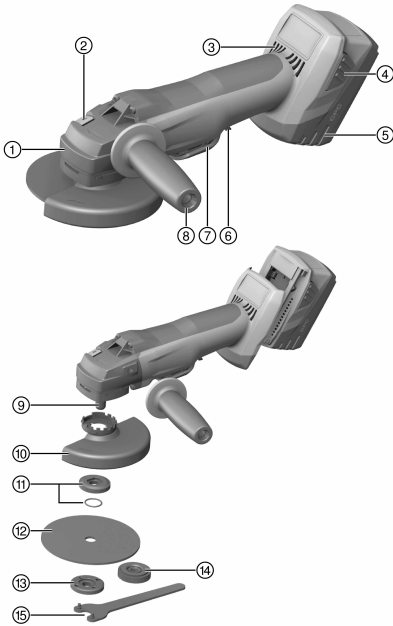
### 2.1.4 Akkujen käyttö ja hoito

- ▶ Ota litiumioniakkujen kuljettamisesta, varastoinnista ja käyttämisestä annetut erityisohjeet huomioon.
- ▶ Suojaa akut korkeilta lämpötiloilta, suoralta auringonpaisteelta ja avotulelta.
- ▶ Akkuja ei saa avata, puristaa, kuumentaa yli 80 °C:n lämpötilaan tai polttaa.
- ▶ Älä käytä tai lataa akkua, joka on saanut iskun, joka on pudonnut yli metrin korkeudelta tai joka on muulla tavoin vaurioitunut. Tällaisessa tapauksessa ota aina yhteys **Hilti -huoltoon**.
- ▶ Jos akku on liian kuumaa koskea, se saattaa olla vaurioitunut. Aseta tuote riittävän etäälle syttyvistä materiaaleista palovaarattomaan paikkaan, jossa voit valvoa tuotetta, ja anna sen jäähtyä. Tällaisessa tapauksessa ota aina yhteys **Hilti -huoltoon**.



### 3 Kuvaus

#### 3.1 Tuoteyhteenvedo



- ① Teräsuojuksen vapautuspainike
- ② Karan lukituspainike
- ③ Jäähdytysilma-ot
- ④ Vapautuspainike jossa lisätoimintona lataustilan näytön aktivointi
- ⑤ Akku
- ⑥ Päälle kytkemisen salpa
- ⑦ Käyttökytkin
- ⑧ Tärinävaimennettu sivukahva
- ⑨ Kara
- ⑩ Vakiomallinen teräsuojus
- ⑪ Kiristyslaippa ja O-renkas
- ⑫ Katkaisulaikka / karhennuslaikka
- ⑬ Kiinnitysmutteri
- ⑭ **Kwik lock** -pikakiinnitysmutteri (lisävaruste)
- ⑮ Kiristysavain

#### 3.2 Tarkoituksenmukainen käyttö

Kuvattu tuote on käsiohjattava akkukäyttöinen kulmahiomakone. Se on tarkoitettu metalli- ja mineraalimateriaalien katkaisemiseen ja karhentamiseen sekä laattojen poraamiseen vettä käyttämättä. Sitä saa käyttää ainoastaan kuivahiontaan ja -katkaisuhiontaan.

- Mineraalimateriaalien katkaisuhionta, leikkaaminen ja karhentaminen on sallittua vain käytettäessä tarkoituksenmukaista teräsuojusta (saatavana lisävarusteena).
- Suositamme, että käytät mineraalimateriaalien kuten betonin tai kiven työstössä aina pölynpoistosuojusta, joka on sovitettu soveltuvaan **Hilti**-imuriin.
- ▶ Käytä tämän tuotteen yhteydessä vain B 22 -tyyppisarjan **Hilti**-litiumioniakkuja.
- ▶ Käytä tämän akun yhteydessä vain C4/36-sarjan **Hilti**-latureita.

#### 3.3 Toimituksen sisältö

Kulmahiomakone, sivukahva, vakiomallinen teräsuojus, etupään suojus, kiinnityslaippa, kiinnitysmutteri, kiintoavain, käyttöohje.

Muita tälle tuotteelle hyväksytyjä järjestelmätuotteita löydät **Hilti Store** -liikkeestä tai nettiosoitteesta: [www.hilti.group](http://www.hilti.group)

#### 3.4 Ylikuumenemissuoja

Moottorin ylikuumenemissuoja valvoo virrankulutusta ja moottorin lämpötilaa ja estää mahdolliset ylikuumenemisvauriot.

Jos moottori ylikuormittuu konetta liian voimakkaasti painettaessa, koneen teho heikkenee huomattavasti tai kone saattaa pysähtyä.

Jos kone pysähtyy tai sen kierrosluku laskee ylikuormituksen vuoksi, nosta laikka irti työkappaleesta ja käytä konetta joutokäyntikierrosluvulla noin 30 sekunnin ajan.



### 3.5 Teräsuojus jossa etupään suojus 2

Jos karhennat metallimateriaaleja suorilla karhennuslaikoilla ja katkaiset metallimateriaaleja katkaisulaikoilla, käytä koneessa vakiomallista teräsuojusta ja etupään suojusta.

### 3.6 Pölynpoistosuojus (katkaisemiseen) DC-EX 125/5" C Kompaktisuojaus (lisävaruste) 3

Jos teet mineraalimateriaalien katkaisuhiontaa timanttikatkaisulaikoja käyttäen, käytä kompaktisuojausta DC-EX 125/5" C.

**VAROITUS** Metallin työstäminen tätä suojusta käyttäen on kielletty.

### 3.7 Pölynpoistosuojus (hiontaan) DG-EX 125/5" (lisävaruste) 4

Hiomakonetta saa käyttää vain satunnaisesti kivimateriaalien hiontaan timanttikuppilakalla.

**VAROITUS** Metallin työstäminen tätä suojusta käyttäen on kielletty.

### 3.8 Litiumioniakun lataustilan näyttö

Litiumioniakun lataustila näytetään, kun jompaakumpaa akun lukituksen vapautuspainikkeista painetaan kevyesti.

Tila	Merkitys
4 LED-merkkivaloa palaa.	Lataustila: 75 % ... 100 %
3 LED-merkkivaloa palaa.	Lataustila: 50 % ... 75 %
2 LED-merkkivaloa palaa.	Lataustila: 25 % ... 50 %
1 LED-merkkivalo palaa.	Lataustila: 10 % ... 25 %
1 LED-merkkivalo vilkkuu.	Lataustila: < 10 %



Lataustilan tarkastaminen koneen käytön aikana tai välittömästi käyttämisen jälkeen ei ole mahdollista. Jos akun lataustilan LED-merkkivalot vilkkuvat, ota huomioon ohjeet kappaleessa Apua häiriötilanteisiin.

## 4 Käyttömateriaali

Koneessa saa käyttää vain keinohartsisidonnaisia kuituvahvisteisia katkaisulaikoja, joiden max. Ø on 125 mm ja jotka on hyväksytty vähintään kierrosluvulle 11000/min ja kehänopeudelle 80 m/s.

Laikan paksuus saa karhennushiontatoissa olla max. 6,4 mm ja katkaisuhionnassa max. 3 mm.

**HUOMIO!** Katkaisulaikoilla katkaistaessa ja leikattaessa koneessa on aina käytettävä etupään suoja-levyillistä vakiomallista teräsuojusta tai täysin suljettua pölynpoistosuojusta.

#### Laikat

	Käyttökohde	Lyhenn nimi	Alusta
Abrasiiv-katkaisulaikka	Katkaisuhionta, leikkaaminen	AC-D	metallinen
Timanttikatkaisulaikka	Katkaisuhionta, leikkaaminen	DC-TP, DC-D (SPX, SP, P)	mineraalinen
Abrasiiv-karhennuslaikka	Karhennushionta	AG-D, AF-D, AN-D	metallinen
Timanttikarhennuslaikka	Karhennushionta	DG-CW (SPX, SP, P)	mineraalinen
Timanttikorakruunu	Laattaporaus	DD-M14	mineraalinen

#### Laikan ja käytettävän varustuksen kohdistus

Kohta	Varustus	AC-D	AG-D	AF-D	AN-D	DG-CW	DC-D	DD-M14
A	Teräsuojus	X	X	X	X	X	X	X
B	Etupään suojus (A:n yhteydessä)	X	-	—	—	—	X	—
C	Pölynpoistosuojus (hiontaan) DG-EX 125/5"	—	—	—	—	X	—	—



Kohta	Varustus	AC-D	AG-D	AF-D	AN-D	DG-CW	DC-D	DD-M14
D	Pölynpoistosuojus (katkaisemiseen) DC-EX 125/5°C (A:n yhteydessä)	—	—	—	—	—	X	—
E	Sivukahva	X	X	X	X	X	X	X
F	Silitysrautakahva DCBG 125 (lisävaruste E:lle)	X	X	X	X	X	X	X
G	Kiinnitysmutteri	X	X	X	X	X	X	—
H	Kiinnityslaippa	X	X	X	X	X	X	—
I	<b>Kwik lock</b> (lisävaruste G:lle)	X	X	X	X	—	X	—

## 5 Tekniset tiedot

	AG 125-A22
Nimellisjännite	21,6 V
Nimelliskierrosluku	9 500/min
Laikan maksimihalkaisija	125 mm
Paino EPTA Procedure 01 mukaan sisältäen akun B228.0	3,3 kg
Karan kierre	M14
Karan pituus	22 mm

### 5.1 Melutiedot ja värinäarvot EN 60745 mukaan

Tässä käyttöohjeessa annetut äänenpaine- ja värinäarvot on mitattu standardoitujen mittausten menetelmien mukaisesti, ja näitä arvoja voidaan käyttää sähkötyökalujen vertailussa. Ne soveltuvat myös altistumisten tilapäiseen arviointiin. Annetut arvot koskevat sähkötyökalun pääasiallisia käyttötarkoituksia. Jos sähkötyökalua kuitenkin käytetään muihin tarkoituksiin, poikkeavia työkaluja tai teriä käyttäen tai puutteellisesti huollettuna, arvot voivat poiketa tässä ilmoitetuista. Tämä saattaa merkittävästi lisätä altistumista koko työskentelyajan aikana. Altistumisia tarkasti arvioitaessa on otettava huomioon myös ne ajat, jolloin kone on kytketty pois päältä tai jolloin kone on päällä, mutta sillä ei tehdä varsinaista työtä. Tämä saattaa merkittävästi vähentää altistumista koko työskentelyajan aikana. Käyttäjän suojaamiseksi melun ja/tai värinän vaikutukselta ryhdy tarpeellisiin turvatoimenpiteisiin kuten: Sähkötyökalun ja siihen kiinnitettävien työkaluterien huolto, käsien lämpimänä pitäminen, työtehtävien organisointi.

#### Meluarvot

Melupäästön äänenpainetaso ( $L_{pA}$ )	83 dB(A)
Äänenpainetaso epävarmuus ( $K_{pA}$ )	3 dB(A)
Äänitehotaso ( $L_{WA}$ )	94 dB(A)
Äänitehotason epävarmuus ( $K_{WA}$ )	3 dB(A)

#### Tärinäarvot

Muut käytettävät kuten katkaiseminen saattavat aiheuttaa tästä poikkeavia värinäarvoja.

Pintahionta värinäävaimennettua kahvaa käyttäen ( $a_{h,AG}$ )	3,8 m/s <sup>2</sup>
Epävarmuus (K)	1,5 m/s <sup>2</sup>

### 5.2 Akku

Akkutoimintajännite	21,6 V
Ympäristön lämpötila käytettäessä	-17 °C ... 60 °C
Varastointilämpötila	-20 °C ... 40 °C
Akun lämpötila lataamisen alkaessa	-10 °C ... 45 °C



## 6 Käyttöönotto

### 6.1 Akun kiinnitys 5

#### VAROITUS

**Loukkaantumisvaara.** Johtuu kulmahiomakoneen tahattomasta käynnistymisestä.

- ▶ Ennen akun kiinnittämistä varmista, että kulmahiomakone on kytketty pois päältä ja että käynnistymisen esto on kytketty päälle.

#### VAROITUS

**Sähköinen vaara.** Likaantuneet liittimet voivat aiheuttaa oikosulun.

- ▶ Ennen kuin laitat akun paikalleen, varmista ettei akun liittimissä akussa ja kulmahiomakoneessa ole vieraita esineitä.

#### VAROITUS

**Loukkaantumisvaara.** Jos akku ei ole kunnolla paikallaan, se saattaa pudota.

- ▶ Varmista, että akku on kunnolla kiinni, jotta se ei putoa alas eikä vaaranna Sinua tai muita.
- ▶ Laita koneeseen akku ja varmista, että se on kunnolla kiinni.

### 6.2 Akun irrotus 6

- ▶ Irrota akku.

### 6.3 Sivukahvan kiinnitys

- ▶ Kiinnitä sivukahva yhteen koneessa olevista kierrehelkeistä.

### 6.4 Teräsuojuksen kiinnitys ja irrotus

#### VAROITUS

**Loukkaantumisvaara.** Työkalu voi olla kuuma tai teräväreunainen.

- ▶ Käytä suojakäsineitä, kun kiinnität tai irrotat osia, teet säätöjä tai korjaat toimintahäiriöitä.
- ▶ Noudata kyseisen suojuksen kiinnitysohjetta.

#### 6.4.1 Teräsuojuksen kiinnitys 7



Teräsuojuksessa on ohjausnastat, joten koneeseen voidaan kiinnittää vain siihen sopiva suojus. Teräsuojus liikkuu ohjausnastojensa varassa koneessa olevassa suojuksen kiinnityksessä.

1. Sovita teräsuojus karan kaulukselle siten, että koneen ja suojuksen kolmiomerkit ovat kohdakkain.
2. Paina teräsuojus karan kaulukseen.
3. Paina suojuksen lukituksen vapautuspainiketta.
4. Kierrä teräsuojusta, kunnes se lukittuu ja lukituksen vapautuspainike ponnahtaa takaisin.

#### 6.4.2 Teräsuojuksen säätö

- ▶ Paina teräsuojuksen lukituksen vapautuspainiketta ja käännä suojus haluamaasi asentoon siten, että suojus lukittuu paikalleen.

#### 6.4.3 Teräsuojuksen irrotus

1. Paina teräsuojuksen vapautuspainiketta ja käännä suojusta siten, että siinä ja koneessa olevat kaksi kolmiomerkkiä ovat kohdakkain.
2. Ota teräsuojus pois.

### 6.5 Etupään suojuksen kiinnitys ja irrotus 8



Jos käytetään etupään suojusta, se kiinnitetään teräsuojukseen.





1. Aseta etupään suojus suljettu puoli edellä vakiomalliseen teräsuojukseen siten, että etupään suojus lukittuu paikalleen.
2. Irrota etupään suojus avaamalla sen lukitus ja vedä se irti vakiomallisesta teräsuojuksesta.

## 6.6 Pölynpoistosuojuksen (katkaisemiseen) DC-EX 125/5" C asettaminen paikalleen

- ▶ Aseta kompaktisuoja paikalleen siten, että koneen käyttökytkin on aina esteettömästi käytettävissä.

## 6.7 Työkaluterien kiinnitys ja irrotus

### VAROITUS

**Loukkaantumiswaara.** Työkaluterä saattaa olla kuuma.

- ▶ Käytä suojakäsineitä, kun vaihdat työkaluterää.



Timanttilaikka on vaihdettava, jos sen katkaisu- tai hiontateho on huomattavasti heikentynyt. Yleensä näin on, kun timanttisegmenttien korkeus on kulunut alle 2 mm:iin.

Muun tyyppiset laikat on vaihdettava, jos niiden katkaisuteho on huomattavasti heikentynyt tai jos kulmahiomakoneen osat (laikkaa lukuun ottamatta) työtä tehtäessä koskettavat katkaistavaa materiaalia.

Abrasiv-katkaisulaikat on vaihdettava laikan viimeisen käyttöpäivän ylityttyä.

### 6.7.1 Työkalun kiinnitys

1. Irrota akku. → Sivu 66
2. Tarkasta, että kiristyslaipassa on O-rengas ja että O-rengas on vaurioton.

#### Tulos

O-rengas on vaurioitunut.

Kiristyslaipassa ei ole O-rengasta.

- ▶ Aseta uusi kiristyslaippa O-renkaineen paikalleen.

3. Aseta kiristyslaippa muutosulkeisesti karaan ja varmista, ettei laippa pääse kiertymään.
4. Aseta laikka paikalleen.

### VAARA

**Loukkaantumiswaara.** Työkaluterä saattaa irrota koneen moottorin jarruttaessa.

- ▶ Odota, kunnes työkaluterä on pysähtynyt, ennen kuin kosket työkaluterään tai kiristysmutteriin.
- ▶ Kiristä työkaluterä ja kiristyslaippa kiristysmutterilla niin tiukalle, että laitteen moottorin jarruttaessa karasta ei pääse irtoamaan mitään osia.

5. Kiristä kiinnitysmutteri käytettävän työkaluterän mukaisesti kiinni.
6. Paina karan lukituspainiketta ja pidä se painettuna.
7. Kiristä kiinnitysmutteri kiintoavaimella kiinni, vapauta sitten karan lukituspainike ja poista kiintoavain.

### 6.7.2 Työkalun irrotus

1. Irrota akku. → Sivu 66

### VAROITUS

**Murtumis- ja rikkoontumisvaara.** Jos karalukituksen painiketta painetaan karan pyöriessä, työkaluterä voi irrota.

- ▶ Paina karalukituksen painiketta vain, kun kara ei pyöri.
2. Paina karan lukituspainiketta ja pidä se painettuna.
  3. Irrota kiinnitysmutteri kiinnittämällä siihen kiintoavain ja sitten vastapäivään kiertäen.
  4. Vapauta karajarrun painike ja ota työkaluterä pois.

### 6.7.3 Työkaluterän kiinnitys **Kwik lock** -pikakiinnitysmutterilla

### VAROITUS

**Murtumavaara.** Liian suuri kulutus saattaa saada **Kwik lock** -pikakiinnitysmutterin murtumaan.

- ▶ Työtä tehdessäsi varmista, ettei **Kwik lock** -pikakiinnitysmutteri kosketa työstettävään pintaan.
- ▶ Älä käytä vaurioitunutta **Kwik lock** -pikakiinnitysmutteria.





Kiinnitysmutterin sijasta voidaan vaihtoehtoisesti käyttää **Kwik lock** -pikakiinnitysmutteria. Silloin työkaluterän vaihdossa ei tarvita muita työkaluja.

1. Irrota akku. → Sivu 66
2. Puhdista kiristyslaippa ja pikakiinnitysmutteri.
3. Aseta kiristyslaippa karaan.
4. Aseta laikka paikalleen.
5. Kierrä **Kwik lock** -pikakiinnitysmutteri paikalleen siten, että se on työkaluterää vasten.
  - ▶ Teksti **Kwik lock** on näkyvässä, kun mutteri on paikallaan.
6. Paina karan lukituspainiketta ja pidä se painettuna.
7. Kierrä työkaluterää voimakkaasti käsin myötäpäivään, kunnes **Kwik lock** -pikakiinnitysmutteri on tiukasti kiinni, ja vapauta sitten karan lukituspainike.

#### 6.7.4 **Kwik lock** -pikakiinnitysmutterilla kiinnitetyn työkaluterän irrotus

1. Irrota akku. → Sivu 66



#### **VAROITUS**

**Murtumis- ja rikkoontumisvaara.** Jos karalukituksen painiketta painetaan karan pyöriessä, työkaluterä voi irrota.

- ▶ Paina karalukituksen painiketta vain, kun kara ei pyöri.
2. Paina karan lukituspainiketta ja pidä se painettuna.
  3. Irrota **Kwik lock** -pikakiinnitysmutteri kiertämällä sitä käsin vastapäivään.
  4. Jos **Kwik lock** -pikakiinnitysmutteria ei saa irrotettua käsin, aseta kiintoavain pikakiinnitysmutteriin ja kierrä mutteria vastapäivään.



Älä koskaan käytä putkipihtejä, jotta **Kwik lock** -pikakiinnitysmutteri ei vaurioidu.

5. Vapauta karajarrun painike ja ota työkaluterä pois.

#### 6.7.5 Porakruunun kiinnitys

1. Irrota akku. → Sivu 66
2. Kiinnitä sivukahva. → Sivu 66
3. Kiinnitä teräsuojus. → Sivu 66
4. Aseta porakruunu paikalleen ja kiristä se kiinni käsitiukkuuteen.
5. Paina karan lukituspainiketta ja pidä se painettuna.
6. Kiristä porakruunu sopivalla kiintoavaimella kiinni.
7. Vapauta karajarrun painike ja ota kiintoavain pois.

## 7 Käyttö

### 7.1 Hionta



#### **VAROITUS**

**Loukkaantumisvaara.** Työkaluterä voi jumittua tai takertua äkillisesti.

- ▶ Käytä koneessa aina sivukahvaa (lisävarusteena silitysrautakahva) ja pidä koneesta aina lujasti kiinni molemmin käsin.

### 7.2 Katkaisuhionta

- ▶ Katkaisuhionnassa käytä kohtuullista syöttöä; älä kanttaa konetta tai katkaisulaikkaa (pidä kone noin 90° kulmassa katkaistavaan pintaan nähden).



Profiliit ja pienet nelikulmaputket kannattaa katkaista kohdistamalla katkaisulaikka kapeimpaan kohtaan.



### 7.3 Karhennushionta

#### VAROITUS

**Loukkaantumisvaara.** Kattkaisulaikka voi hajjeta ja sinkoilevat osat voivat aiheuttaa loukkaantumisia.

► Älä koskaan käytä kattkaisulaikkoja karhennushiontaan.

- Liikuta konetta työstökulmalla 5° - 30° edestakaisin keskimääräisellä voimalla painaen.
  - Työkappale ei kuumene liikaa tai värjäänny eikä siihen synny uria.

### 7.4 Päälle kytkeminen jos käyttökytkimessä päälle kytkemisen salpa

Käyttökytkimellä, jossa on päälle kytkemisen salpa, voit ohjata koneen toimintaa ja estät konetta kytkeytymästä vahingossa päälle.

1. Paina päälle kytkemisen salpa eteen.
  - Käyttökytkin vapautuu.
2. Paina käyttökytkin kokonaan pohjaan.
  - Koneen moottori käy joutokäyntikierrosluvulla.

### 7.5 Pois päältä kytkeminen jos käyttökytkimessä päälle kytkemisen salpa

- Vapauta käyttökytkin.
  - Päälle kytkemisen salpa kytkeytyy automaattisesti estoasentoon.

## 8 Huolto, hoito ja kunnossapito

#### VAARA

**Loukkaantumisvaara jos akku paikallaan !**

► Irrota akku aina ennen hoito- ja kunnostustöitä!

#### Koneen hoito

- Poista pinttynyt lika varovasti.
- Puhdista jäähdytysilmaroot varovasti kuivalla harjalla.
- Käytä kotelon puhdistamiseen vain kevyesti kostutettua kangasta. Älä käytä silikonia sisältäviä hoitoaineita, sillä ne voivat vaurioittaa muoviosia.

#### Litiumioniakkujen hoito

- Pidä akku puhtaana, öljyttömänä ja rasvattomana.
- Käytä kotelon puhdistamiseen vain kevyesti kostutettua kangasta. Älä käytä silikonia sisältäviä hoitoaineita, sillä ne voivat vaurioittaa muoviosia.
- Varo, ettei kosteutta pääse tunkeutumaan sisään.

#### Kunnossapito

- Tarkasta säännöllisin välein kaikkien näkyvien osien mahdolliset vauriot ja käyttöelementtien moitteeton toiminta.
- Jos havaitset vaurioita ja / tai toteat toimintahäiriöitä, älä käytä tuotetta. Korjauta heti **Hilti**-huollossa.
- Hoito- ja kunnostustöiden jälkeen kiinnitä kaikki suojalaitteet ja tarkasta niiden toiminta.

Käyttöturvallisuuden varmistamiseksi käytä vain alkuperäisiä varaosia ja käyttömateriaaleja. Tälle tuotteelle hyväksytyjä varaosia, kulutusmateriaaleja ja lisävarusteita löydät **Hilti Store** -liikkeestä tai osoitteesta: [www.hilti.group](http://www.hilti.group).

## 9 Akkukäyttöisten koneiden kuljetus ja varastointi

#### Kuljettaminen

#### VAROITUS

**Käynnistyminen vahingossa kuljetuksen aikana !**

► Kuljeta tuotteesi aina akku irrotettuna!



- ▶ Irrota akut.
- ▶ Älä koskaan kuljeta akkuja irrallaan muiden tavaroiden joukossa.
- ▶ Pitemmän kuljetuksen jälkeen tarkasta koneen ja akkujen mahdolliset vauriot ennen käyttöä.

#### Varastointi



#### VAROITUS

#### Viallinen tai vuotava akku voi aiheuttaa vaurioita !

- ▶ Varastoi tuotteesi aina akku irrotettuna!
- ▶ Varastoi kone ja akut viileässä ja kuivassa paikassa.
- ▶ Älä koskaan varastoi akkuja auringonpaisteessa, lämmittimen tai patterin päällä tai ikkunan vieressä.
- ▶ Varastoi kone ja akut lasten ja asiattomien henkilöiden ulottumattomissa.
- ▶ Pitemmän varastoinnin jälkeen tarkasta kone ja akkujen mahdolliset vauriot ennen käyttöä.

## 10 Apua häiriötilanteisiin

Häiriöissä, joita ei ole kuvattu tässä taulukossa tai joita et itse pysty poistamaan, ota yhteys **Hilti**-huoltoon.

### 10.1 Vianmääritys

Häiriö	Mahdollinen syy	Ratkaisu
Akku tyhjenee tavallista nopeammin.	Erittäin alhainen ympäristön lämpötila.	▶ Anna akun hitaasti lämmitä huoneenlämpötilaan.
Akku ei lukitu paikalleen selvästi naksauttaen.	Akun korvakkeet ovat likaantuneet.	▶ Puhdista salpanokat ja kiinnitä akku uudelleen paikalleen.
1 LED merkkivalo vilkkuu. Kone ei toimi.	Akku tyhjentynyt.	▶ Vaihda akku ja lataa tyhjentynyt akku.
	Akku on liian kylmä tai liian kuuma.	▶ Anna akun hitaasti lämmitä tai jäähtyä huoneenlämpötilaan.
Kaikki 4 LED-merkkivaloa vilkkuvat. Kone ei toimi.	Kone on ylikuormittunut.	▶ Vapauta käyttökytkin ja paina sitä uudelleen. Anna sitten koneen käydä noin 30 minuutin ajan joutokäyntiä.
Kulmahiomakone tai akku kuumenee voimakkaasti.	Sähköinen vika	▶ Kytke kone heti pois päältä, irrota akku koneesta, valvo akku, anna sen jäähtyä ja hakeudu <b>Hilti</b> -huoltoon.
Koneen teho on heikko.	Käytettävän akun kapasiteetti on liian pieni.	▶ Käytä akku, jonka kapasiteetti on riittävä.
Ei moottorin jarrutustoimintoa.	Akku tyhjentynyt.	▶ Vaihda akku ja lataa tyhjentynyt akku.
	Kone on hetkellisesti ylikuormittunut.	▶ Vapauta käyttökytkin ja paina sitä uudelleen.

## 11 Hävittäminen

**Hilti**-työkalut, -koneet ja -laitteet on pääosin valmistettu kierrätyskelppoisista materiaaleista. Kierrätyksen edellytys on materiaalien asianmukainen lajittelu. Useissa maissa **Hilti** ottaa vanhat koneet ja laitteet vastaan kierrätystä ja hävitystä varten. Lisätietoja saat **Hilti**-huollosta tai -edustajalta.

#### Akkujen hävittäminen

Määräystenvastaisten hävittämisen seurauksena akuista ulos pääsevät kaasut tai nesteet voivat vaarantaa terveyden.

- ▶ Älä lähetä vaurioituneita akkuja!
- ▶ Peitä liitännät sähköä johtamattomalla materiaalilla oikosulkujen välttämiseksi.
- ▶ Hävitä akut siten, etteivät ne voi joutua lasten käsiin.
- ▶ Hävitä akku viemällä se **Hilti Store** -liikkeeseen tai käännä vastuullisen jätteenkäsittely-yrityksen puoleen.





- ▶ Älä hävitä sähkötyökaluja, elektronisia laitteita ja akkuja tavallisen sekajätteen mukana!

## 12 RoHS (vaarallisten aineiden käytön rajoittamisen direktiivi)

Vaarallisten aineiden taulukon löydät seuraavista linkeistä: [qr.hilti.com/r3958236](http://qr.hilti.com/r3958236).  
Linkki RoHS-taulukkoon on tämän dokumentaation lopussa QR-koodina.

## 13 Valmistajan myöntämä takuu

- ▶ Jos sinulla on takuuehtoihin liittyviä kysymyksiä, ota yhteys paikalliseen **Hilti**-edustajaan.

# Originaalkasutusjuhend

## 1 Andmed dokumentatsiooni kohta

### 1.1 Kasutusjuhend

- Enne seadme kasutuselevõttu lugege see kasutusjuhend läbi. See on ohutu kasutamise ja tõrgeteta töö eeldus.
- Järgige kasutusjuhendis esitatud ja tootele märgitud ohutusnõudeid ja hoiatusi.
- Hoidke kasutusjuhend alati seadme juures ja toote edasiandmisel teistele isikutele andke üle ka kasutusjuhend.

### 1.2 Märkide selgitus

#### 1.2.1 Hoiatused

Hoiatused annavad märku toote kasutamisel tekkivatest ohtudest. Kasutatakse alljärgnevat märksõnu:



**OHT**

**OHT!**

- ▶ Võimalikud ohtlikud olukorrad, mis võivad põhjustada kasutaja raskeid kehavigastusi või hukkumist.



**HOIATUS**

**HOIATUS!**

- ▶ Võimalik ohtlik olukord, mis võib põhjustada kasutaja raskeid kehavigastusi või hukkumist.



**ETTEVAATUST**

**ETTEVAATUST!**

- ▶ Võimalikud ohtlikud olukorrad, millega võivad kaasneda kergemad kehavigastused või varaline kahju.

#### 1.2.2 Kasutusjuhendis kasutatud sümbolid

Selles dokumendis kasutatakse järgmisi sümboleid.



Lugege enne kasutamist läbi kasutusjuhend!



Soovitused seadme kasutamiseks ja muu kasulik teave



Taaskasutatavate materjalide käsitsemine



Elektriseadmeid ja akusid ei tohi visata olmejäätmete hulka.

#### 1.2.3 Joonistel kasutatud sümbolid

Joonistel kasutatakse järgmisi sümboleid.



2111867

Eesti

71

<b>2</b>	Numbrid viitavad vastavatele joonistele kasutusjuhendi alguses
3	Numeratsioon kajastab tööetappide järjekorda pildi kujul ja võib tekstis kirjeldatud tööetappidest erineda
<b>11</b>	Positsiooninumbrid <b>kasutatakse ülevaatejoonisel</b> ja need viitavad selgituste numbritele <b>toote ülevaates</b>
	See märk näitab, et toote käsitlemisel tuleb olla eriti tähelepanelik.

### 1.3 Tootepõhised sümbolid

#### 1.3.1 Sümbolid tootel

Tootel võib kasutada järgmisi sümboleid:

	Kasutage kaitseprille
n	Nimipöörete arv
/min	Pööret minutis
RPM	Pööret minutis
	Läbimõõt
	Alalisvool
Li-Ion	Liitumioonaku
	Kasutatud <b>Hilti</b> Li-ioonaku seeria. Pidage kinni peatükis <b>Sihipärane kasutamine</b> toodud juhistest.
	Ärge kasutage akut kunagi löögiriistana.
	Ärge laske akul kunagi maha kukkuda. Ärge kasutage akut, mis on saanud löögi või on muul moel kahjustatud.
	Seade toetab NFC-tehnoloogiat, mis on ühildatav iOS- ja Android-platvormidega.

#### 1.4 Tooteinfo

**HILTI** tooted on ette nähtud professionaalsele kasutajale ja neid tohivad käsitseda, hooldada ja korras hoida ainult volitatud ja asjaomase väljaõppega isikud. Nimetatud personal peab olema teadlik kõikidest kaasnevatest ohtudest. Seade ja sellega ühendatavad abivahendid võivad osutada ohtlikuks, kui neid ei kasutata nõuetekohaselt või kui nendega töötab vastava väljaõppeta isik.

Tüübitähis ja seerianumber on tüübisildil.

- Kandke seerianumber järgmisse tabelisse. Andmeid toote kohta vajate meie esindusele või hooldekeskusele päringute esitamisel.

##### Tooteinfo

Nurklihvmasin	AG 125-A22
Generatsioon	02
Seerianumber	

#### 1.5 Vastavusdeklaratsioon

Kinnitame ainuvastutajana, et käesolevas kasutusjuhendis kirjeldatud seade vastab kehtivate direktiivide ja standardite nõuetele: Vastavusdeklaratsiooni ärakirja leiate käesoleva kasutusjuhendi lõpust.

Tehnilised dokumendid on saadaval:

**Hilti** Entwicklungsgesellschaft mbH | Zulassung Geräte | Hiltistraße 6 | 86916 Kaufering, DE



## 2 Ohutus

### 2.1 Ohutusnõuded

#### 2.1.1 Üldised ohutusnõuded elektriliste tööriistade kasutamisel

**⚠ HOIATUS! Lugege läbi kõik ohutusnõuded ja juhised.** Järgnevate ohutusnõuete eiramise tagajärjeks võib olla elektrilöökk, tulekahju ja/või rasked vigastused.

Hoidke kõik ohutusnõuded ja juhised edaspidiseks kasutamiseks alles.

#### Ohutus töökohal

- ▶ **Hoidke oma töökoht puhas ja valgustage seda korralikult.** Korrastamata ja valgustamata töökoht võib põhjustada õnnetusi.
- ▶ **Ärge kasutage elektritööriista plahvatusohtlikus keskkonnas, kus leidub tuleohtlikke vedelikke, gaase või tolmu.** Elektritööriistadest lööb sädemeid, mis võivad tolmu või aurud süüdata.
- ▶ **Hoidke lapsed ja kõik teised töökohast eemal, kui kasutate elektritööriista!** Kui teie tähelepanu juhitakse kõrvale, võib seade teie kontrolli alt väljuda.

#### Elektriohutus

- ▶ **Vältige kehalist kontakti maandatud pindadega, nagu torud, radiaatorid, pliidid ja külmkapid.** Kui Teie keha on maandatud, on elektrilöögi oht suurem.
- ▶ **Kaitske elektritööriista vihma ja niiskuse eest.** Kui elektritööriista sisemusse satub vett, suurendab see elektrilöögiohtu.

#### Inimeste turvalisus

- ▶ **Olge tähelepanelik, jälgige oma tegevust ning toimige elektrilise tööriistaga töötades kaalutletult. Ärge töötage elektrilise tööriistaga, kui olete väsinud või alkoholi, narkootikumide või ravimite mõju all!** Hetkeline tähelepanematus elektrilise tööriista kasutamisel võib põhjustada raskeid kehavigastusi või varalist kahju.
- ▶ **Kandke isiklikke kaitsevahendeid ja alati kaitseprille.** Isiklike kaitsevahendite, nt tolmu maski, libisemiskindlate turvajalatsite, kaitsekiivri või kuulmiskaitsevahendite kandmine (sõltuvalt elektritööriista tüübist ja kasutusala) vähendab vigastusohu.
- ▶ **Vältige elektrilise tööriista tahtmatut käivitamist. Veenduge, et elektriline tööriist on välja lülitatud, kui ühendate selle külge aku või kui seda tõstate või kannate.** Kui hoiate elektrilise tööriista kandmisel sõrme lülilil või ühendate vooluvõrku sisselülitatud tööriista, võib tagajärjeks olla tööõnnetus.
- ▶ **Eemaldage enne elektritööriista sisselülitamist selle küljest seade- ja mutrivõtmed.** Elektritööriista pöörleva osa küljes olev seade- või mutrivõti võib põhjustada vigastusi.
- ▶ **Vältige ebataavalist tööasendit! Võtke stabiilne tööasend ja säilitage alati tasakaal.** Nii saate seadet ootamatutes olukordades paremini kontrollida.
- ▶ **Kandke sobivat rõivastust. Ärge kandke laiu riideid ega ehteid! Hoidke juuksed, rõivad ja kindad seadme liikuvatest osadest eemal.** Lotendavad riided, ehted ja pikad juuksed võivad sattuda seadme liikuvate osade vahele.
- ▶ **Kui elektritööriista külge on võimalik paigaldada tolmueemaldus- ja kogumiseadiseid, veenduge, et need on tööriistaga ühendatud ja et neid kasutatakse nõuetekohaselt.** Tolmueemaldusseadise kasutamine võib vähendada tolmust tingitud ohte.

#### Elektrilise tööriista kasutamine ja käsitsemine

- ▶ **Ärge koormake seadet üle! Kasutage konkreetseks tööks sobivat elektrilist tööriista.** See töötab ettenähtud jõudluspiirides tõhusamalt ja ohutumalt.
- ▶ **Ärge kasutage elektrilist tööriista, mille lüliti on rikkis!** Elektriline tööriist, mida ei saa enam lülitist korralikult sisse ja välja lülitada, on ohtlik ning tuleb viia parandusse.
- ▶ **Eemaldage aku, enne kui asute tööriista seadistama, tarvikuid vahetama või tööriista hoiele panema.** See ettevaatusabinõu hoiab ära seadme tahtmatu käivitamise.
- ▶ **Kasutusvälisel ajal hoidke elektrilist tööriista lastele kättesaamatus kohas. Ärge lubage seadet kasutada isikutel, kes seda ei tunne või ei ole lugenud käesolevaid juhiseid.** Asjatundmatute isikute käes on elektrilised tööriistad ohtlikud.
- ▶ **Hooldage elektrilisi tööriistu hoolikalt. Kontrollige, kas seadme liikuvad detailid töötavad veatult ega kiilu kiini.** Veenduge, et seadme detailid ei ole murdunud või kahjustatud määral, mis mõjutab seadme töökindlust. Laske kahjustatud osad enne seadme kasutamist parandada. Ebapiisavalt hooldatud elektrilised tööriistad põhjustavad tööõnnetusi.
- ▶ **Hoidke lõiketarvikud teravad ja puhtad.** Hästi hooldatud, teravate lõikeservadega lõiketarvikud kiiluvad harvemini kinni ja neid on lihtsam juhtida.



- ▶ **Kasutage elektrilist tööriista, tarvikuid ja lisatarvikuid vastavalt nende juhiste. Arvestage seejuures töötingimuste ja tehtava töö iseloomuga.** Elektrilise tööriista kasutamine otstarbel, milleks see ei ole ette nähtud, võib põhjustada ohtlikke olukordi.

#### Akuga tööriista kasutamine ja käsitsemine

- ▶ **Laadige akusid ainult tootja soovitatud laadimiseseadmega.** Kui teatud tüüpi aku laadimiseks ettenähtud laadimiseseadet kasutatakse teist tüüpi akude laadimiseks, tekib tulekahjuoht.
- ▶ **Kasutage elektritööriistades ainult neile ettenähtud akusid.** Teist tüüpi akude kasutamine võib põhjustada vigastus- ja põlenguohu.
- ▶ **Hoidke akud kasutusvälisel ajal eemal kirjklambritest, müntidest, võtmetest, naeltest, kruvidest ja teistest väikestest metallesemetest, mis võivad aku kontaktid omavahel ühendada.** Aku kontaktide vahel tekkinud lühis võib põhjustada põletust või tulekahju.
- ▶ **Väärkasutuse korral võib akudelilge akust välja voolata. Vältige sellega kokkupuudet.** Väljavoolav akudelilge võib põhjustada nahaärritust või põletusi. Juhusliku kokkupuute korral loputage kahjustatud kohta veega. Kui vedelik satub silma, pöörduge lisaks arsti poole.

#### Hooldus

- ▶ **Laske elektrilist tööriista parandada ainult kvalifitseeritud spetsialistidel, kes kasutavad originaalvaruosi.** Nii on tagatud, et elektritööriista ohutus säilib.

### 2.1.2 Ühised ohutusnõuded lihvimisel, liivapaberiga lihvimisel, traatharjadega töötlemisel, poleerimisel ja lõikamisel:

- ▶ **Elektriline tööriist on ette nähtud kasutamiseks lihvmasina ja ketaslõikurina.** Järgige kõiki seadmega kaasasolevaid ohutusnõudeid, juhiseid, kirjeldusi ja andmeid. Järgnevate juhiste eiramise tagajärjeks võib olla elektrilöökk, tulekahju ja/või rasked vigastused.
- ▶ **Elektriline tööriist ei sobi liivapaberiga lihvimiseks, traatharjadega töötlemiseks ja poleerimiseks.** Seadme kasutamine otstarbel, milleks seade ei ole ette nähtud, on ohtlik ja võib põhjustada vigastusi.
- ▶ **Ärge kasutage lisatarvikuid, mida tootja ei ole spetsiaalselt selle seadme jaoks ette näinud ega soovitanud.** Asjaolu, et lisatarvikut saab seadme külge kinnitada, ei taga veel ohutut tööd.
- ▶ **Tarviku lubatud pöörete arv peab olema vähemalt sama suur nagu seadmel toodud maksimaalne pöörlemiskiirus.** Lubatust kiiremini pöörlev tarvik võib puruneda ja selle tükiid võivad laiali paiskuda.
- ▶ **Tarviku välisläbimõõt ja paksus peavad olema vastavuses seadme mõõtmetega.** Valede mõõtmetega tarvikuid ei kata kettakaitse piisaval määral ning need võivad väljuda Teie kontrolli alt.
- ▶ **Keermestatud tarvikud peavad spindli keermega täpselt sobima. Seibi abil monteeritavate tarvikute puhul peab tarviku siseava läbimõõt vastama seibi läbimõõdule.** Tarvikud, mis ei ole tööriista küljes kindlalt kinni, pöörlevad ebaühtlaselt, vibreerivad tugevalt ja võivad kaasa tuua kontrolli kaotuse.
- ▶ **Ärge kasutage kahjustatud tarvikuid.** Iga kord enne kasutamist kontrollige tarvikuid, näiteks lihvketaid pragude, lihvtaidu pragude või kulumise, traatharju lahtiste või murdunud traatide suhtes. Kui seade või tarvik kukub maha, kontrollige seda vigastuste suhtes ja vajaduse korral võtke kasutusele vigastamata tarvik. Pärast tarviku kontrollimist ja paigaldamist laske seadmel töötada ühe minuti jooksul maksimaalsetel pööretel. Seejuures veenduge, et ei Teie ega läheduses viibivad inimesed ei asu pöörleva tarvikuga ühel joonel. Nimetatud katseaja jooksul vigastatud tarvikud üldjuhul murduvad.
- ▶ **Kasutage isikukaitsevahendeid.** Kandke vastavalt töö iseloomule näokaitsemaski, silmade kaitsemaski või kaitseprille. Vajaduse korral kandke tolmukaitsemaski, kuulmiskaitsevahendeid, kaitsekindaid või kaitsepõlde, mis püüab kinni lihvimisel eralduvad väiksemad materjaliosakesed. Silmad peavad olema kaitstud erinevatel töödel eralduvate ja eemalepaiskuvate vöörkehade eest. Tolmu- ja hingamisteede kaitsemask peab filtreerima töötamisel tekkiva tolmu. Pikaajaline vali müra võib kahjustada kuulmist.
- ▶ **Veenduge, et teised inimesed viibivad tööpiirkonnast ohutul kaugusel. Kõik tööpiirkonda sisenevad inimesed peavad kandma isikukaitsevahendeid.** Töödeldava tooriku või murdunud tarviku osakesed võivad eemale paiskuda ja põhjustada vigastusi ka väljaspool vahetatud tööpiirkonda.
- ▶ **Kui teete töid, mille puhul võib tarvik tabada varjatud elektrijuhtmeid, hoidke seadet isoleeritud haardepinnast.** Kokkupuude pingestatud elektrijuhtmega võib seada pinge alla ka seadme metalldetailid ja põhjustada elektrilöögi.
- ▶ **Veenduge, et teitejuhe on pöörlevatest tarvikust eemal.** Kui seade Teie kontrolli alt väljub, tekib teitejuhtme läbilõikamise või kinnijäämise oht, mille tagajärjel võib Teie käsi pöörleva tarvikuga kokku puutuda.
- ▶ **Ärge pange seadet kunagi käest enne, kui tarvik on täielikult seiskunud.** Pöörlev tarvik võib pinnaga kokku puutuda, mille tagajärjel võib seade Teie kontrolli alt väljuda.
- ▶ **Seadme kandmise ajal ei tohi seade töötada.** Pöörlev tarvik võib Teie riietega juhuslikult kokku puutuda ja Teid vigastada.





- ▶ **Puhastage seadme ventilatsioonivahendi regulaarselt.** Mootori jahutusventilaator tõmbab tolmu korpusesse ning kuhjunud metallitolm võib põhjustada elektrilisi ohte.
- ▶ **Ärge kasutage seadet süttivate materjalide läheduses.** Sädemed võivad need materjalid süüdata.
- ▶ **Ärge kasutage tarvikuid, mille jahutamiseks on ette nähtud jahutusvedelikud.** Vee või teiste jahutusvedelike kasutamine võib põhjustada elektrilöögi.

#### Tagasilöökk ja asjaomased ohutusnõuded

Tagasilöökk on kinnikiilunud tarviku, näiteks lihvketta, lihvalla, traatharja jmt tõttu tekkinud äkiline reaktsioon. Kinnikiilumine põhjustab pöörleva tarviku järsu seiskumise. Selle toimel liigub kontrolli alt väljunud seade tarviku pöörlemissuunale vastupidises suunas.

Kui näiteks lihvketas toorikus kinni kiilub, võib lihvketta serv toorikusse kinni jääda, mille tagajärjel võib lihvketas murduda või põhjustada tagasilöögi. Lihvketas liigub siis sõltuvalt ketta pöörlemissuunast kas seadme kasutaja poole või temast eemale. Lihvketad võivad seejuures ka murduda.

Tagasilöökk on seadme vale kasutuse või puudulike töövetete tagajärg. Seda saab järgnevalt kirjeldatud sobivate ettevaatusabinõude rakendamisega ära hoida.

- ▶ **Hoidke seadet tugevasti kinni ja viige oma keha ja käed asendisse, milles saate tagasilöögiõududele vastu astuda.** Kasutage alati lisakäepidet, kui see on olemas, et tagasilöögiõudu või reaktsioonimomenti seadme ülespaikumisest maksimaalselt kontrolli all hoida. Sobivate ettevaatusabinõude rakendamisega suudab seadme kasutaja tagasilöögi- ja reaktsioonijõudu kontrollida.
- ▶ **Ärge asetage oma kätt pöörlevate tarvikute lähedusse.** Tarvik võib tagasilöögi puhul liikuda üle Teie käe.
- ▶ **Hoidke oma keha eemal piirkonnast, kuhu seade tagasilöögi puhul liigub.** Tagasilöökk viib seadme lihvketta pöörlemissuunale vastupidises suunas.
- ▶ **Töötage eriti ettevaatlikult nurkades, teravate servade piirkonnas jm. Vältige tarvikute tagasi-põrkumist toorikult ja tarvikute kinnikiilumist.** Pöörlev tarvik kaldub nurkades, teravate servade piirkonnas ja toorikult tagasi-põrkumise korral kinni kiiluma. See põhjustab kontrolli kaotuse seadme üle ja tagasilöögi.
- ▶ **Ärge kasutage kettsaelehte ega hammastusega saeketast.** Sellised tarvikud põhjustavad tihti tagasilöögi või kontrolli kaotuse seadme üle.

#### Ohutuse erinõuded lihvimisel ja lõikamisel:

- ▶ **Kasutage üksnes seadme jaoks ette nähtud lihvketast ja selle ketta jaoks ette nähtud kettakaitset.** Lihvkettaid, mis ei ole seadme jaoks ette nähtud, katab kettakaitse ebapiisavalt ja need on seetõttu ohtlikud.
- ▶ **Kõverdatud lihvketad tuleb paigaldada nii, et nende lihvimispiind ei ulatu üle kettakaitse serva.** Valesti paigaldatud lihvketast, mis ulatub üle kettakaitse serva, ei katta kettakaitse piisavalt.
- ▶ **Kettakaitse peab olema elektrilise tööriista külge kindlalt kinnitatud ja olema maksimaalse turvalisuse tagamiseks seatud nii, et kasutaja poole jääb katmata lihvimistarvikust võimalikult väike osa.** Kettakaitse aitab kasutajat kaitsta murdunud osakeste, lihvkettaga juhusliku kokkupuute ja sädemete eest.
- ▶ **Lihvkettaid tohib kasutada vaid ettenähtud otstarbel.** Näiteks ärge kunagi kasutage lõikeketta külgpinda lihvimiseks. Lõikeketad on ette nähtud materjali lõikamiseks ketta servaga. Külgsuunas rakendatava jõu mõjul võib lõikeketas puruneda.
- ▶ **Valitud lihvketta jaoks kasutage alati vigastamata ja õige suuruse ning kujuga kinnitusseibi.** Sobivad seibid kaitsevad lihvketast ja vähendavad lihvketta purunemise ohtu. Lõikeketaste seibid võivad lihvketaste seibidest erineda.
- ▶ **Ärge kasutage suuremate seadmete kulunud lihvkettaid.** Suuremate seadmete lihvketad ei ole kohandatud väiksemate seadmete suurema pöörlemiskiirusega ja võivad puruneda.

#### Ohutuse täiendavad erinõuded lõikamisel:

- ▶ **Vältige lõikeketta kinnikiilumist ja liiga suurt avaldatavat survet.** Ärge tehke liiga sügavaid lõikeid. Liigse surve avaldamine lõikekettale suurendab ketta koormust ja kinnikiilumisohtu ning sellega ka tagasilöögi või ketta purunemise võimalust.
- ▶ **Vältige pöörleva lõikeketta ette ja taha jäävat piirkonda.** Kui suunate lõikeketast toorikus endast eemale, võib tagasilöögi korral seade koos pöörleva kettaga otse Teie suunas paiskuda.
- ▶ **Kui lõikeketas kinni kiilub või kui Te töö katkestate, lülitage seade välja ja hoidke seda paigal seni, kuni ketas on täielikult seiskunud.** Ärge püüdke veel pöörlevat lõikeketast lõikejoonest välja tõmmata, vastasel juhul võib tekkida tagasilöökk. Tehke kindlaks ja kõrvaldage kinnikiilumise põhjus.
- ▶ **Ärge lülitage seadet sisse, kui see on veel toorikus.** Laske lõikekettal kõigepealt saavutada maksimaalne pöörlemiskiirus ja jätkake seejärel lõiget ettevaatlikult. Vastasel korral võib ketas kinni kiiluda, toorikust välja hüpata või tagasilöögi põhjustada.



- ▶ **Plaadid ja suured toorikud toestage, et vältida kinnikiilunud lõikekettast põhjustatud tagasilöögi ohtu.** Suured toorikud kalduvad omaenda raskuse mõjul läbi painduma. Toorik peab olema toestatud mõlemalt küljelt ja nii lõikejoone lähedalt kui ka servast.
- ▶ **Olge eriti ettevaatlik uputuslõigete tegemisel seintesse või teistesse varjatud kohtadesse.** Uputatav lõikeketas võib gaasi- või veetorude, elektrijuhtmete või teiste objektide tabamisel põhjustada tagasilöögi.

### 2.1.3 Täiendavad ohutusnõuded

#### Isikuohutus

- ▶ Kasutage toodet ainult siis, kui selle tehniline seisukord on veatu.
- ▶ Ärge muutke ega modifitseerige seadet mingil viisil.
- ▶ Vältige kokkupuudet seadme pöörlevate osadega - vigastuste oht!
- ▶ Kandke ka tarvikut vahetades kaitsekindaid! Tarviku puudutamine võib tekitada löikehaavu ja põletusi.
- ▶ Enne töö algust tehke kindlaks töötamisel tekkiva tolmu ohuklass. Kasutage ettenähtud kaitseklassi kuuluvat ehitustolmuimejat, mis vastab kehtivatele tolmu kaitsemeetmetele. Pliisisaldusega värvid, teatavat liiki puidu, betooni/müüritise/kvartsisisaldusega kivi, mineraalide ja metalli tolm võib kahjustada tervist.
- ▶ Tagage töökohal hea ventilatsioon ja kandke tekkiva tolmu filtreerimiseks sobivat hingamisteede kaitsemaski. Kokkupuude tolmu või tolmu sissehingamine võib põhjustada kasutajal või läheduses viibivatel isikutel allergilist reaktsiooni ja/või hingamisteede haigusi. Teatav tolm, nt tamme- või pöögitolm on kantserogeenne, seda eeskätt koosmõjus puidu töötlemiseks ettenähtud lisaainetega (kromaat, puidukaitsevahendid). Asbesti sisaldavate materjalide töötlemine on lubatud vaid asjaomase kvalifikatsiooniga isikutel.
- ▶ Tehke tööpauze ja liigutage sõrmi, et parandada nende verevarustust. Pikemaajaliste tööde korral võib vibratsioon tekitada probleeme sõrmede, käte ja käelligeste veresoontes ja närvüsteemis.

#### Elektriohutus

- ▶ Enne töö algust kontrollige tööpiirkond üle ja veenduge, et seal ei ole varjatud elektrijuhtmeid, gaasi- ega veetorusid. Seadme välised metalliosad võivad elektrijuhtme vigastamise korral tekitada elektrilöögi.

#### Elektriliste tööriistade hoolikas käsitsemine ja kasutamine

- ▶ Ärge kasutage lihvimiseks lõikeketaid.
- ▶ Pingutage tarvik ja flants tugevasti kinni. Kui tarvikut ja flantsi ei ole kõvasti kinni pingutatud, võib otsak mootori seiskamisel spindli küljest lahti tulla.
- ▶ Pidage kinni tootja juhistest lihvketaste käsitsemise ja hoidmise kohta.

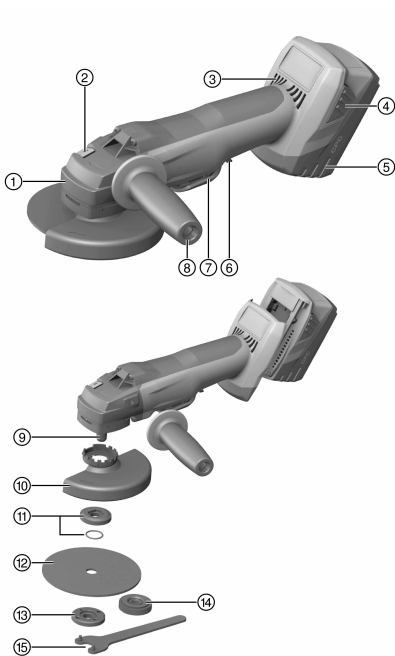
### 2.1.4 Akude hoolikas käsitsemine ja kasutamine

- ▶ Järgige liitiumioonakude veo, ladustamise ja käsitsemise suhtes kehtivaid erinõudeid.
- ▶ Kaitske akusid kõrgete temperatuuride, otsese päikese kiirguse ja tule eest.
- ▶ Akusid ei tohi lahti võtta, muljuda, kuumutada üle 80 °C ega põletada.
- ▶ Ärge kasutage ega laadige akusid, mis on saanud löögi, kukkunud kõrgemalt kui üks meetrit või muul viisil vigastada saanud. Võtke sellisel juhul alati ühendust **Hilti hooldekeskusega**.
- ▶ Kui aku on nii kuum, et seda ei saa puudutada, võib aku olla defektnine. Asetage aku tulekindlasse kohta nii, et see jääb süttivatest materjalidest piisavalt kaugemale ja et seda saaks jälgida, ning laske akul jahtuda. Võtke sellisel juhul alati ühendust **Hilti hooldekeskusega**.



### 3 Kirjeldus

#### 3.1 Toote ülevaade 1



- ① Katte vabastusnupp
- ② Spindlilukustusnupp
- ③ Ventilatsioonivad
- ④ Vabastusnupp koos laetuse astme näidu aktiveerimise lisafunktsiooniga
- ⑤ Aku
- ⑥ Sisselülitustõkis
- ⑦ Toitelüüti
- ⑧ Vibratsioonisummutusega lisakäepide
- ⑨ Spindel
- ⑩ Standardne kettakaitse
- ⑪ Kinnitusseib koos rõngastihendiga
- ⑫ Lõikeketas / lihvketas
- ⑬ Kinnitusmutter
- ⑭ Kiirkinnitusmutter **Kwik lock** (lisavarustus)
- ⑮ Kinnitusvõti

#### 3.2 Eesmärgipärane kasutamine

Kirjeldatud toode on käsitsi juhitud akutoitega ketaslõikur. See on ette nähtud metallide ja mineraalsete materjalide lihvimiseks ja lõikamiseks ning keraamiliste plaatide kuivpuurimiseks. Seda tohib kasutada üksnes kuivlõikamiseks/lihvimiseks.

- Mineraalsete materjalide lõikamine, lõhestamine ja lihvimine on lubatud vaid vastava kettakaitse (lisavarustus) kasutamise korral.
- Mineraalsete materjalide, näiteks betooni või kivi töötlemisel tuleb kasutada tolmueemalduskatet, mis on kohandatud sobiva **Hilti** tolmuimejaga.
- ▶ Kasutage selle toote jaoks ainult B 22 tüüpi **Hilti** liitiumioonakusid.
- ▶ Nende akude laadimiseks kasutage ainult C4/36 tüüpi **Hilti** laadimisestseadmeid.

#### 3.3 Tarnekomplekt

Nurklihvija, lisakäepide, standardvarustuse kaitsekate, esikate, kinnitusflants, kinnitusmutter, haakvõti, kasutusjuhend.

Muud süsteemitooted leiata müügiesindusest **Hilti Store** või veebisaidilt: [www.hilti.group](http://www.hilti.group)

#### 3.4 Temperatuurist sõltuv mootorikaitse

Temperatuurist sõltuv mootorikaitse süsteem jälgib sisendvoolu ja mootori temperatuuri ja kaitseb seadet ülekuumenemise eest.

Liiga suurest rakendatavast survest tingitud mootori ülekoormuse korral alaneb seadme jõudlus tunduvalt ja seade võib koguni seiskuda.

Ülekoormusest tingitud seiskumise või pöörlemiskiiruse alanemise korral tuleb seadmele rakendatavat survet vähendada ja lasta seadmel umbes 30 sekundit tühikäigul töötada.



### 3.5 Eesmise kattega kettakaitse 2

Metallide töötlemise korral kasutage sirgete lihvketastega lihvimisel ja lõikeketastega lõikamisel eesmise kattega standardset kettakaitset.

### 3.6 Tolmueemalduskate (lõikamine) DC-EX 125/5" C Kompaktne kate (tarvik) 3

Mineraalsete pindade lõikamiseks teemantlõikeketastega tuleb kasutada kompaktset katet DC-EX 125/5" C. **ETTEVAATUST** Metallide töötlemine on selle kattega keelatud.

### 3.7 Tolmueemalduskate (lihvimine) DG-EX 125/5" (tarvik) 4

Seade sobib mineraalsete materjalide lihvimiseks teemantkaussketaste abil vaid mõõndustega. **ETTEVAATUST** Metallide töötlemine on selle kattega keelatud.

### 3.8 Li-Ion-aku laetuse astme näit

Li-Ion-aku laetuse astme näitu kuvatakse, kui vajutada aku ühele vabastusnupule.

Seisund	Tähendus
4 LED-tuld põlevad.	Laetuse aste: 75 % kuni 100 %
3 LED-tuld põlevad.	Laetuse aste: 50 % kuni 75 %
2 LED-tuld põlevad.	Laetuse aste: 25 % kuni 50 %
1 LED-tuli põleb.	Laetuse aste: 10 % kuni 25 %
1 LED vilgub.	Laetuse aste: < 10 %



Töötamise ajal ja vahetult pärast töö lõppu ei ole võimalik aku laetuse astet teada saada. Kui aku laetuse astme indikaatori LED-tuled vilguvad, tegutsege vastavalt punktis „Abi tõrgete puhul” toodud juhistelega.

## 4 Kulumaterjal

Kasutada tohib vaid kunstvaiksideainega ja kiudainega tugevdatud kettaid, mille max Ø on 125 mm ning mille lubatud pöörlemiskiirus on vähemalt 11000/min ja perifeerikiirus 80 m/s.

Lihvketaste paksus võib olla max 6,4 mm ja lõikeketaste paksus max 3 mm.

**TÄHELEPANU!** Kasutage lõikeketastega lõikamisel ja lõhestamisel alati kas täiendava eesmise kattega standardset kettakaitset või täielikult suletud tolmueemalduskatet.

### Kettad

	Rakendus	Tähis	Materjal
Abrasiivne lõikeketas	Lõikamine, lõhestamine	AC-D	Metallid
Teemantlõikeketas	Lõikamine, lõhestamine	DC-TP, DC-D (SPX, SP, P)	Mineraalsed materjalid
Abrasiivne lihvketas	Lihvimine	AG-D, AF-D, AN-D	Metall
Teemantlihvketas	Lihvimine	DG-CW (SPX, SP, P)	Mineraalsed materjalid
Teemantkroonpuur	Keraamiliste plaatide puurimine	DD-M14	Mineraalsed materjalid

### Ketaste liigitus vastavalt kasutatud varustusele

Pos.	Seadis	AC-D	AG-D	AF-D	AN-D	DG-CW	DC-D	DD-M14
A	Kettakaitse	X	X	X	X	X	X	X
B	Eesmine kate (kombinatsioon A-ga)	X	—	—	—	—	X	—
C	Tolmueemalduskate (lihvimine) DG-EX 125/5"	—	—	—	—	X	—	—
D	Tolmueemalduskate (lõikamine) DC-EX 125/5" C (kombinatsioon A-ga)	—	—	—	—	—	X	—



Pos.	Seadis	AC-D	AG-D	AF-D	AN-D	DG-CW	DC-D	DD-M14
E	Lisakäepide	X	X	X	X	X	X	X
F	Kaarkäepide DCBG 125 (valikuliselt E juurde)	X	X	X	X	X	X	X
G	Kinnitusmutter	X	X	X	X	X	X	—
H	Kinnitusseib	X	X	X	X	X	X	—
I	<b>Kwik lock</b> (valikuliselt G juurde)	X	X	X	X	—	X	—

## 5 Tehnilised andmed

	AG 125-A22
<b>Nimipinge</b>	21,6 V
<b>Nimipöörlemiskiirus</b>	9 500 p/min
<b>Ketta maksimaalne läbimõõt</b>	125 mm
<b>Kaal EPTA Procedure 01 järgi koos akuga B228.0</b>	3,3 kg
<b>Spindli keere</b>	M14
<b>Spindli pikkus</b>	22 mm

### 5.1 Andmed müra ja vibratsiooni kohta vastavalt standardile EN 60745

Käesolevas kasutusjuhendis toodud helirõhu- ja vibratsioonitase on mõõdetud standarditult mõõtemeetodil ning asjaomaseid näitajaid saab kasutada elektriliste tööriistade võrdlemiseks. Need sobivad ka müra- ja vibratsioonitaseme esialgseks hindamiseks. Toodud näitajad iseloomustavad elektrilise tööriista põhilisi ettenähtud töid. Kui aga elektrilist tööriista kasutatakse muul otstarbel, teiste tarvikutega või kui tööriista on ebapiisavalt hooldatud, võivad näitajad käesolevas juhendis toodud näitajatest kõrvale kalduda. See võib vibratsiooni- ja müratasest töötamise koguperioodil tunduvalt suurendada. Müra- ja vibratsioonitaseme täpseks hindamiseks tuleb arvesse võtta ka aega, mil tööriist oli välja lülitatud või küll sisse lülitatud, kuid tegelikult tööle rakendamata. See võib vibratsiooni- ja müratasest töötamise koguperioodil tunduvalt vähendada. Seadme kasutaja kaitsmiseks müra ja/või vibratsiooni eest rakendage täiendavaid kaitseabinõusid, näiteks: hooldage seadet ja tarvikuid korralikult, hoidke käed soojad, tagage sujuv töökorraldus.

#### Teave müra kohta

<b>Helirõhutase (<math>L_{pA}</math>)</b>	83 dB(A)
<b>Mõõtemääramatus helirõhutaseme puhul (<math>K_{pA}</math>)</b>	3 dB(A)
<b>Helivõimsustase (<math>L_{WA}</math>)</b>	94 dB(A)
<b>Helivõimsustaseme mõõtemääramatus (<math>K_{WA}</math>)</b>	3 dB(A)

#### Teave vibratsiooni kohta

Muude rakenduste, nt löikamise puhul võib vibratsioonitase olla teistsugune.

<b>Pinna lihvimine, kasutades vibratsiooni summutavat käepidet (<math>a_{h,AG}</math>)</b>	3,8 m/s <sup>2</sup>
<b>Mõõtemääramatus (K)</b>	1,5 m/s <sup>2</sup>

### 5.2 Aku

<b>Aku tööpinge</b>	21,6 V
<b>Ümbritseva keskkonna temperatuur töötamise ajal</b>	-17 °C ... 60 °C
<b>Hoiutemperatuur</b>	-20 °C ... 40 °C
<b>Aku temperatuur laadimise alguses</b>	-10 °C ... 45 °C



## 6 Kasutuselevõtt

### 6.1 Aku paigaldamine 5

#### ETTEVAATUST

**Vigastuste oht.** tingitud ketaslõikuri soovimatust töölerakendamisest.

- ▶ Enne aku paigaldamist veenduge, et ketaslõikur on välja lülitatud ja sisselülitustõkis on aktiveeritud.

#### ETTEVAATUST

**Elektrioht.** Määratud kontaktid võivad tekitada lühise.

- ▶ Enne aku paigaldamist veenduge, et aku kontaktid ja ketaslõikuri kontaktid on vabad võõrkehadest.

#### ETTEVAATUST

**Vigastuste oht.** Kui aku ei ole korrektselt paigaldatud, võib see alla kukkuda.

- ▶ Kontrollige aku kindlat kinnitumist seadmesse, et vältida aku allakukkumist ja sellest tingitud vigastusi.
- ▶ Paigaldage aku ja kontrollige aku kindlat kinnitumist seadmesse.

### 6.2 Aku eemaldamine 5

- ▶ Eemaldage aku.

### 6.3 Lisikäepideme paigaldamine

- ▶ Keerake lisikäepideme ühte ettenähtud keermestatud pesadest.

### 6.4 Kettakaitsme paigaldamine või mahavõtmine

#### ETTEVAATUST

**Vigastuste oht.** Tarvik võib olla kuum või teravate servadega.

- ▶ Paigaldamisel, mahavõtmisel, seadistamisel ja tõrgete kõrvaldamisel kandke kaitsekindaid.

- ▶ Järgige asjaomase kettakaitsme paigaldusjuhendit.

#### 6.4.1 Kettakaitsme paigaldamine 7



Kettakaitsme on varustatud seadenukkidega, mis tagavad, et paigaldada saab üksnes seadme jaoks ette nähtud tüüpi kettakaitsset. Kettakaitsme seadenukid haakuvad tööriista kinnitustesse.

1. Asetage kettakaitsme spindlikaelale nii, et kettakaitsmel ja seadmel oleval kolmnurkmärgisel on kohakuti.
2. Suruge kettakaitsme spindlikaelale.
3. Vajutage kettakaitsme vabastusnupule.
4. Keerake kettakaitsset, kuni see fikseerub kohale ja vabastusnupp hüppab tagasi.

#### 6.4.2 Kettakaitsme seadmine

- ▶ Vajutage kettakaitsme vabastusnupule ja keerake kettakaitsme soovitud asendisse, kuni see fikseerub kohale.

#### 6.4.3 Kettakaitsme eemaldamine

1. Vajutage kettakaitsme vabastusnupule ja pöörake kettakaitsset, kuni kettakaitsel ja seadmel oleval kolmnurkmärgisel on kohakuti.
2. Võtke kettakaitsme maha.

### 6.5 Eesmise kate paigaldamine või mahavõtmine 5



Eesmine kate tuleb panna kettakaitsme peale.

1. Asetage eesmine kate kohale nii, et selle suletud pool jääb standardse kettakaitsme peale, ja laske lukustusel sulguda.



2. Mahavõtmiseks avage eesmise kate lukustus ja võtke kate standardset kettakaitsmelt maha.

## 6.6 Tolmueemalduskate (lõikamine) DC-EX 125/5 "C seadmine õigesse asendisse

- ▶ Seadke kompaktnete kate sellisesse asendisse, et toitelüliti on kogu aeg vabalt ligipääsetav ja käsitsetav.

## 6.7 Tarviku paigaldamine või eemaldamine

### ETTEVAATUST

**Vigastuste oht.** Tarvik võib olla kuum.

- ▶ Tarviku vahetamisel kandke kaitsekindaid.

Teemantkettad tuleb välja vahetada, kui lõike- või lihvimisjõudlus märgatavalt väheneb. Üldjuhul tuleb seda teha siis, kui teemantsegmentide kõrgus on väiksem kui 2 mm.

Muud tüüpi kettad tuleb vahetada, kui lõikejõudlus märgatavalt väheneb või kui nurklihvmasina osad (peale ketta) töötamise ajal materjaliga kokku puutuvad.

Abrasiivkettad tuleb välja vahetada nende kasutamiseks ettenähtud aja möödumisel.

### 6.7.1 Tarviku paigaldamine

1. Eemaldage aku. → Lehekülg 80
2. Kontrollige, kas rõngastihend on kinnitusflantsis olemas ja kas see on terve.

#### Tulemus

Rõngastihend on kahjustada saanud.

Kinnitusflantsis puudub rõngastihend.

- ▶ Paigaldage uus kinnitusflants koos rõngastihendiga.

3. Asetage kinnitusflants spindlile nii, et see on korrektses asendis ega saa paigast nihkuda.
4. Asetage peale tarvik.

### HOIATUS

**Vigastuste oht.** Seadme mootori seiskamisel võib tarvik lahti tulla.

- ▶ Enne tarviku või kinnitusmutri puudutamist oodake, kuni tarvik on seiskunud.
  - ▶ Pingutage tarvik ja kinnitusflants kinnitusmutriga kinni nii, et seadme mootori seiskamisel ei tule spindli küljest osi lahti.
5. Keerake kinnitusmutter vastavalt paigaldatud tarkikule kinni.
  6. Vajutage spindlilukustusnupp alla ja hoidke seda selles asendis.
  7. Pingutage kinnitusmutter otsvõtme abil kindlalt kinni, seejärel vabastage spindlilukustusnupp ja eemaldage otsvõti.

### 6.7.2 Tarviku mahavõtmine

1. Eemaldage aku. → Lehekülg 80

### ETTEVAATUST

**Purunemise ja hävinemise oht.** Kui spindlilukustusnupule vajutada ajal, mil spindel pöörleb, võib tarvik lahti tulla.

- ▶ Vajutage spindlilukustusnupule üksnes siis, kui spindel seisab.
2. Vajutage spindli lukustusnupp alla ja hoidke seda selles asendis.
  3. Vabastage kiirkinnitusmutter, keerates seda otsvõtmega vastupäeva.
  4. Vabastage spindlilukustusnupp ja eemaldage tarvik.

### 6.7.3 Tarviku paigaldamine **Kwik lock** tüüpi kiirkinnitusmutriga

### ETTEVAATUST

**Purunemise oht.** Liiga suure kulumise tõttu võib **Kwik lock** tüüpi kiirkinnitusmutter puruneda.

- ▶ Töötamisel veenduge, et **Kwik lock** tüüpi kiirkinnitusmutter ei puutu aluspinnaga kokku.
- ▶ Ärge kasutage kahjustatud **Kwik lock** tüüpi kiirkinnitusmutrit.





Kinnitusmutri asemel võib kasutada **Kwik lock** tüüpi kiirkinnitusmutrit. Sel juhul ei ole tarvikute vahetamiseks vaja mingeid tööriistu.

1. Eemaldage aku. → Lehekülg 80
2. Puhastage kinnitusflants ja kiirkinnitusmutter.
3. Asetage kinnitusflants spindlile.
4. Asetage peale tarvik.
5. Kruvige **Kwik lock** tüüpi kiirkinnitusmutter tarviku peale, nii et see on korrektselt paigas.
  - ▶ Kiri **Kwik lock** on pealekeeratud asendis nähtav.
6. Vajutage spindlilukustusnupp alla ja hoidke seda selles asendis.
7. Keerake tarvikut käega päripäeva tugevasti edasi, kuni **Kwik lock** tüüpi kiirkinnitusmutter on kindlalt kinni pingutatud, seejärel vabastage spindlilukustusnupp.

#### 6.7.4 **Kwik lock** tüüpi kiirkinnitusmutriga tarviku eemaldamine

1. Eemaldage aku. → Lehekülg 80

##### **ETTEVAATUST**

**Purunemise ja hävinemise oht.** Kui spindlilukustusnupule vajutada ajal, mil spindel pöörleb, võib tarvik lahti tulla.

- ▶ Vajutage spindlilukustusnupule üksnes siis, kui spindel seisab.
2. Vajutage spindlilukustusnupp alla ja hoidke seda selles asendis.
  3. Vabastage **Kwik lock** tüüpi kiirkinnitusmutter, keerates seda käsitsi vastupäeva.
  4. Kui **Kwik lock** tüüpi kiirkinnitusmutrit ei ole võimalik käsitsi lahti keerata, keerake see otsvõtmega vastupäeva lahti.



Ärge kunagi kasutage torutange, et vältida **Kwik lock** tüüpi kiirkinnitusmutri kahjustamist.

5. Vabastage spindlilukustusnupp ja eemaldage tarvik.

#### 6.7.5 Kroonpuuri paigaldamine

1. Eemaldage aku. → Lehekülg 80
2. Paigaldage lisakäepide. → Lehekülg 80
3. Paigaldage kettakaitse. → Lehekülg 80
4. Asetage kroonpuur kohale ja kruvige see käega kinni.
5. Vajutage spindlilukustusnupp alla ja hoidke seda selles asendis.
6. Keerake puurkroon sobiva lehtvõtmega kinni.
7. Seejärel vabastage spindlilukustusnupp ja eemaldage lehtvõti.

## 7 Käsitsemine

### 7.1 Lihvimine

##### **ETTEVAATUST**

**Vigastuste oht.** Tarvik võib äkitselt blokeeruda või kinni kiiluda.

- ▶ Kasutage seadet alati koos lisakäepidemega (lisavarustuses kaarkäepide) ja hoidke seadet alati kahe käega.

### 7.2 Lõikamine

- ▶ Lõikamisel töötage mõõduka ettenihkega ja ärge kallutage seadet ega lõikeketast (töösand on lõiketandi suhtes ca 90° all).



Profiile ja väikesi nelikantorusid on kõige parem lõigata, kui asetada lõikeketas väikseimale ristlõikele.





### 7.3 Lihvimine

#### ETTEVAATUST

**Vigastuste oht.** Lõikeketas võib puruneda ja laialipaiskuvad osad võivad tekitada vigastusi.

- ▶ Ärge kunagi kasutage lihvimiseks lõikeketaid.
- ▶ Liigutage seadet 5°–30° nurga all mõõduka survega edasi-tagasi.
  - ▶ Toorik ei lähe liiga kuumaks, ei muuda värvi ja ei teki kriimustusi.

### 7.4 Sisselülitamine sisselülitustõkisega varustatud toitelülitist

Sisselülitustõkisega toitelüliti abil saate kontrollida lülitusfunktsiooni ja hoida ära seadme juhusliku käivitamise.

1. Vajutage sisselülitustõkis ette.
  - ▶ Toitelüliti vabaneb.
2. Vajutage lüliti (sisse/välja) lõpuni sisse.
  - ▶ Seadme mootor töötab tühikäigupöoretel.

### 7.5 Väljalülitamine sisselülitustõkisega varustatud toitelülitist

- ▶ Vabastage lüliti (sisse/välja).
  - ▶ Sisselülitustõkis hüppab automaatselt lukustavasse asendisse.

## 8 Hooldus ja korrashoid

#### HOIATUS

**Vigastuste oht paigaldatud aku korral !**

- ▶ Enne mis tahes hooldus- ja korrashoiutöid eemaldage seadmest aku!

#### Seadme hooldamine

- Eemaldage kõvasti kinni olev mustus ettevaatlikult.
- Puhastage ventilatsiooniavad ettevaatlikult kuiva harjaga.
- Puhastage korpust kergelt niiske lapiga. Ärge kasutage silikooni sisaldavaid hooldusvahendeid, sest need võivad kahjustada seadme plastdetalle.

#### Liitumioonakude hooldus

- Hoidke aku puhas ja vaba õlist ja rasvast.
- Puhastage korpust kergelt niiske lapiga. Ärge kasutage silikooni sisaldavaid hooldusvahendeid, sest need võivad kahjustada seadme plastdetalle.
- Vältige vedeliku sissetungimist.

#### Korrashoid

- Kontrollige regulaarselt, kas kõik nähtavad osad on terved ja kas juhtelemendid toimivad veatult.
- Kahjustuste ja/või tõrgete korral ei tohi seadet kasutada. Laske tööriist kohe **Hilti** hooldekeskuses parandada.
- Pärast hooldus- ja korrashoiutöid paigaldage kõik kaitseseadised ja kontrollige nende toimivust.

Tööohutuse tagamiseks kasutage ainult originaalvaruosi ja -materjale. Teie tootega sobivaid ja meie poolt heakskiidetud varuosad, materjalid ja tarvikud leiate kauplusest **Hilti Store** või veebilehelt: [www.hilti.group](http://www.hilti.group).

## 9 Akutööriistade transport ja ladustamine

#### Transport

#### ETTEVAATUST

**Soovimatu käivitamine transportimisel !**

- ▶ Transportige tooteid ilma akudeta!



- ▶ Eemaldage akud.
- ▶ Ärge kunagi transportige akusid lahtiselt.
- ▶ Pärast pikemat transporti kontrollige, kas tööriist või akud on saanud vigastusi.

## Ladustamine

### ETTEVAATUST

#### Defektsed akud või lekkivad akud võivad tekitada vigastusi !

- ▶ Kasutusvälisel ajal eemaldage seadmest aku!
- ▶ Hoidke seadet ja akusid võimalikult jahedas ja kuivas kohas.
- ▶ Ärge hoidke akusid kunagi päikese käes, küttekeha peal ega aknalaual.
- ▶ Hoidke seadet ja akusid lastele ja kõrvalistele isikutele ligipääsmatus kohas.
- ▶ Pärast pikemaajalist ladustamist kontrollige, kas tööriist või akud on saanud vigastusi.

## 10 Abi tõrgete puhul

Kui peaks esinema tõrge, mida ei ole järgmises tabelis nimetatud või mida Te ei suuda ise kõrvaldada, pöörduge **Hilti** hooldekeskusse.

### 10.1 Veatsing

Tõrge	Võimalik põhjus	Lahendus
Aku tühjeneb tavalisest kiiremini.	Ümbritseva keskkonna väga madal temperatuur.	▶ Laske akul aeglaselt ruumitemperatuurile soojeneda.
Aku ei fikseeru kuuldava klõpsuga kohale.	Aku fiksaatorninad on määrdunud.	▶ Puhastage fiksaatorninad ja paigaldage aku uuesti.
1 LED vilgub. Seade ei tööta.	Aku on tühi.	▶ Vahetage aku välja ja laadige tühi aku täis.
	Aku on liiga kuum või liiga külm.	▶ Laske akul aeglaselt ruumitemperatuurile soojeneda või jahtuda.
Kõik 4 LED-tuld vilguvad. Seade ei tööta.	Seadmele avaldub ülekoormus.	▶ Vabastage juhtlüliti ja vajutage sellele uuesti. Seejärel laske seadmel ca 30 sekundit tühikäigul töötada.
Nurklühvmasin või aku läheb väga kuumaks.	Elektriline rike	▶ Lülitage seade kohe välja, eemaldage aku, jälgige seda, laske akul jahtuda ja võtke ühendust <b>Hilti</b> hooldekeskusega.
Seade ei tööta täisvõimsusel.	Paigaldatud on liiga väikese mahutuvusega aku.	▶ Kasutage piisava mahtuvusega akut.
Mootori pidurdusfunktsioon ei toimi.	Aku on tühi.	▶ Vahetage aku välja ja laadige tühi aku täis.
	Tööriistale on lühiajaliselt avaldunud ülekoormus.	▶ Vabastage juhtlüliti ja vajutage sellele uuesti.

## 11 Utiliseerimine

**Hilti** seadmed on suures osas valmistatud taaskasutatavatest materjalidest. Taaskasutuse eelduseks on materjalide korralik sorteerimine. Paljudes riikides kogub **Hilti** kasutusressursi ammendanud seadmed kokku. Lisateavet saate **Hilti** müügiesindusest.

### Akude utiliseerimine

Asjatundmatu käitlemise korral võib akudest eralduda terviseohtlikke gaase või vedelikke.

- ▶ Ärge saatke kahjustada saanud akusid posti teel!
- ▶ Lühise vältimiseks katke akukontaktid elektrit mittejuhtiva materjaliga.
- ▶ Käideldge akusid nii, et need ei satu laste kätte.
- ▶ Utiliseerige aku **Hilti Store** esinduses või pöörduge asjaomase jäätmekäitlusettevõtte poole.





- ▶ Ārge visake kasutusresursi ammandanud elektrilisi tōōriistu, elektroonikaseadmeid ja akusid olmejāātmete hulka!

## 12 RoHS (direktiiv ohtlike ainete kasutamise piirangute kohta)

Jārgmistel linkidel leiate ohtlike ainete tabeli: [qr.hilti.com/r3958236](http://qr.hilti.com/r3958236).

RoHS-tabeli juurde viiva lingi leiate kāesoleva dokumendi lōpust QR-koodina.

## 13 Tootja garantii

- ▶ Kui Teil on kūsimumi garantiiingimuste kohta, pōōrduge **Hilti** mūūgiesindusse.

# Originālā lietošanas instrukcija

## 1 Informācija par dokumentāciju

### 1.1 Par šo dokumentāciju

- Pirms ekspluatācijas sākšanas obligāti izlasiet šo dokumentāciju. Tas ir priekšnoteikums darba drošībai un izstrādājuma lietošanai bez traucējumiem.
- Ievērojiet drošības norādījumus un brīdinājumus, kas atrodami šajā dokumentācijā un uz izstrādājuma.
- Vienmēr glabājiet lietošanas instrukciju izstrādājuma tuvumā un nododiet to kopā ar izstrādājumu, ja tas tiek nodots citām personām.

### 1.2 Apzīmējumu skaidrojums

#### 1.2.1 Brīdinājumi

Brīdinājumi pievērš uzmanību bīstamībai, kas pastāv, strādājot ar izstrādājumu. Tiek lietoti šādi signālvārdi:

#### **BĪSTAMI!**

**BĪSTAMI! !**

- ▶ Pievērš uzmanību draudošām briesmām, kas var izraisīt smagus miesas bojājumus vai nāvi.

#### **BRĪDINĀJUMS!**

**BRĪDINĀJUMS! !**

- ▶ Pievērš uzmanību iespējamam apdraudējumam, kas var izraisīt smagas traumas vai pat nāvi.

#### **IEVĒROT PIESARDZĪBU!**

**UZMANĪBU! !**

- ▶ Norāda uz iespējami bīstamām situācijām, kas var izraisīt vieglas traumas vai materiālos zaudējumus.

#### 1.2.2 Dokumentācijā lietotie simboli

Šajā dokumentācijā tiek lietoti šādi simboli:

	Pirms lietošanas izlasiet instrukciju
	Norādījumi par lietošanu un cita noderīga informācija
	Rīcība ar otrreiz pārstrādājamiem materiāliem
	Neizmetiet elektroiekārtas un akumulatorus sadzīves atkritumos.

#### 1.2.3 Attēlos lietotie simboli

Attēlos tiek lietoti šādi simboli:



2111867

Latviešu

85

<b>2</b>	Šie skaitļi norāda uz attiecīgajiem attēliem, kas atrodami šīs instrukcijas sākumā.
3	Numerācija attēlos atbilst veicamo darbību secībai un var atšķirties no darbību apraksta tekstā.
<b>11</b>	Pozīciju numuri tiek lietoti attēlā <b>Pārskats</b> un norāda uz leģendas numuriem sadaļā <b>Izstrādājuma pārskats</b> .
	Šī simbola uzdevums ir pievērst īpašu uzmanību izstrādājuma lietošanas laikā.

### 1.3 Simboli atkarībā no izstrādājuma

#### 1.3.1 Simboli uz izstrādājuma

Uz izstrādājuma var tikt lietoti šādi simboli:

	Lietojiet aizsargbrilles
n	Nominālais apgriezienu skaits
/min	Apgriezienu skaits minūtē
RPM	Apgriezienu skaits minūtē
	Diametrs
	Līdzstrāva
Li-Ion	Litija jonu akumulators
	Izmantotā <b>Hilti</b> litija jonu akumulatoru sērija. Ņemiet vērā informāciju, kas iekļauta nodaļā <b>Nosacījumiem atbilstīga lietošana</b> .
	Nekādā gadījumā nelietojiet akumulatoru kā triecieninstrumentu.
	Sargājiet akumulatoru no kritieniem. Nelietojiet akumulatoru, ja tas ir bijis pakļauts triecienam vai tam ir radušies cita veida bojājumi.
	Iekārta atbalsta tehnoloģiju NFC, kas ir saderīga ar iOS un Android platformām.

#### 1.4 Izstrādājuma informācija

**HILTI** izstrādājumi ir paredzēti profesionāliem lietotājiem, un to darbināšanu, apkopi un tehniskā stāvokļa uzturēšanu drīkst veikt tikai kvalificēts, atbilstīgi apmācīts personāls. Personālam ir jābūt labi informētam par iespējamajiem riskiem, kas var rasties darba laikā. Izstrādājums un tā papildaprīkojums var radīt bīstamas situācijas, ja to uztic neprofesionālam personālam vai nelieto atbilstīgi nosacījumiem. Iekārtas tipa apzīmējums un sērijas numurs ir norādīti uz identifikācijas datu plāksnītes.

- Ierakstiet sērijas numuru zemāk redzamajā tabulā. Izstrādājuma dati jānorāda, vērstoties mūsu pārstāvniecībā vai servisā.

##### Izstrādājuma dati

Leņķa slīpmašīna	AG 125-A22
Paaudze	02
Sērijas Nr.	

#### 1.5 Atbilstības deklarācija

Uzņemoties pilnu atbildību, mēs apliecinām, ka šeit aprakstītais izstrādājums atbilst šādām direktīvām un standartiem: Atbilstības deklarācijas attēls ir atrodams šīs dokumentācijas beigās.

Tehniskā dokumentācija ir saglabāta šeit:

**Hilti** Entwicklungsgesellschaft mbH | Zulassung Geräte | Hiltistraße 6 | 86916 Kaufering, DE



## 2 Drošība

### 2.1 Drošība

#### 2.1.1 Vispārīgi drošības norādījumi par darbu ar elektroiekārtām

**⚠ BRĪDINĀJUMS!** Izlasiet visus drošības norādījumus un instrukcijas. Šeit izklāstīto drošības norādījumu un instrukciju neievērošana var izraisīt elektrošoku, ugunsgrēku un/vai nopietnas traumas.

Saglabājiet visus drošības norādījumus un instrukcijas turpmākai lietošanai.

#### Drošība darba vietā

- ▶ **Uzturiet darba vietā tīrību un kārtību un nodrošiniet labu apgaismojumu.** Nekārtīgā darba vietā vai sliktā apgaismojumā var viegli notikt nelaimes gadījums.
- ▶ **Nestrādājiet ar elektroiekārtu sprādzienbīstamā vidē, kur atrodas uzliesmojoši šķidrumi, gāzes vai putekļi.** Darbības laikā elektroiekārtas mēdz dzirkstēlot, un tas var izraisīt viegli degošu putekļu vai tvaiku aizdegšanos.
- ▶ **Lietojot elektroiekārtu, neļaujiet nepiederošām personām un jo īpaši bērniem tuvoties darba vietai.** Citu personu klātbūtne var novērst uzmanību, un tā rezultātā jūs varat zaudēt kontroli pār iekārtu.

#### Elektrodrošība

- ▶ **Darba laikā nepieskarieties sazemētiem priekšmetiem, piemēram, caurulēm, radiatoriem, plītiem un ledusskapjiem.** Pieskaroties sazemētām virsmām, pieaug risks saņemt elektrisko triecienu.
- ▶ **Nelietojiet elektroiekārtu lietus laikā, neturiet to mitrumā.** Mitrumam iekļūstot elektroiekārtā, pieaug risks saņemt elektrisko triecienu.

#### Personiskā drošība

- ▶ **Strādājot ar elektroiekārtu, esiet uzmanīgi, pievērsiet uzmanību tam, ko jūs darāt un rīkojieties saprātīgi.** Ar elektroiekārtu nedrīkst strādāt personas, kas ir nogurušas vai atrodas narkotiku, alkohola vai medikamentu ietekmē. Mirklis neuzmanības darbā ar elektroiekārtu var novest pie nopietnām traumām.
- ▶ **Izmantojiet individuālos aizsardzības līdzekļus un darba laikā vienmēr nēsājiet aizsargbrilles.** Individuālo aizsardzības līdzekļu (putekļu aizsargmaskas, neslidošu apavu un aizsargķiveres vai ausu aizsargu) lietošana atbilstoši elektroiekārtas tipam un veicamā darba raksturam ļauj izvairīties no savainojumiem.
- ▶ **Nepieļaujiet iekārtas nekontrolētas ieslēgšanās iespēju.** Pirms akumulatora pievienošanas, elektroiekārtas satveršanas vai pārvietošanas pārliecinieties, ka tā ir izslēgta. Ja iekārtas pārvietošanas laikā pirksts atrodas uz slēdža vai ja ieslēgta iekārta tiek pievienota elektrotīklam, var notikt nelaimes gadījums.
- ▶ **Pirms elektroiekārtas ieslēgšanas jānoņem visi regulēšanas piederumi un uzgriežņu atslēgas.** Regulēšanas piederumi vai uzgriežņu atslēga, kas iekārtas ieslēgšanas brīdī atrodas iekārtā, var radīt traumas.
- ▶ **Izvairieties no nedabiskām pozām.** Darba laikā vienmēr saglabājiet līdzsvaru un nodrošinieties pret paslīdēšanu. Tas atvieglos elektroiekārtas vadību neparedzētās situācijās.
- ▶ **Izvēlieties darbam piemērotu apģērbu.** Darba laikā nenēsājiet brīvi plandošas drēbes un rotaslietas. Netuviniet matus, apģērbu un aizsargcimdus iekārtas kustīgajām daļām. Vaļīgas drēbes, rotaslietas un gari mati var ieķerties iekārtas kustīgajās daļās.
- ▶ **Ja elektroiekārtas konstrukcija ļauj pievienot putekļu nosūkšanas vai savākšanas ierīci, sekojiet, lai tā būtu pievienota un tiktu darbināta pareizi.** Putekļu nosūcēja lietošana samazina putekļu kaitīgo ietekmi.

#### Elektroiekārtas lietošana un apkope

- ▶ **Nepārslodojiet elektroiekārtu.** Katram darbam izvēlieties piemērotu iekārtu. Elektroiekārta darbosies labāk un drošāk pie nominālās slodzes.
- ▶ **Nelietojiet elektroiekārtu, ja ir bojāts tās slēdzis.** Elektroiekārta, ko nevar ieslēgt un izslēgt, ir bīstama un nekavējoties jānodod remontā.
- ▶ **Izņemiet no iekārtas akumulatoru, pirms iestatījumu veikšanas, aprikojuma daļu nomaiņas vai iekārtas novietošanas glabāšanā.** Šādi jūs novērsīsiet elektroiekārtas nejausās ieslēgšanās risku.
- ▶ **Elektroiekārtu, kas netiek darbināta, uzglabājiet piemērotā vietā.** Neļaujiet lietot iekārtu personām, kas nav iepazinušas ar tās funkcijām un izlasījušas šo lietošanas instrukciju. Ja elektroiekārtu lieto nekompetentas personas, tas var apdraudēt cilvēku veselību.
- ▶ **Rūpīgi veiciet elektroiekārtu apkopi.** Pārbaudiet, vai kustīgās daļas darbojas bez traucējumiem un neķeras un vai kāda no daļām nav salauzta vai bojāta un tādējādi netraucē elektroiekārtas nevainojamu darbību. Raugieties, lai pirms iekārtas lietošanas tiktu nomainītas vai saremontētas bojātās daļas. Daudzi nelaimes gadījumi notiek tāpēc, ka elektroiekārtām nav nodrošināta pareiza apkope.



- ▶ **Griezējinstrumentiem vienmēr jābūt uzasinātiem un tīriem.** Rūpīgi kopti griezējinstrumenti ar asām šķautnēm retāk iestrēgst un ir vieglāk vadāmi.
- ▶ **Lietojiet elektroiekārtu, piederumus, maināmos instrumentus utt. saskaņā ar šiem norādījumiem.** Jāņem vērā arī konkrētie darba apstākļi un veicamās operācijas īpatnības. Elektroiekārtu lietošana citiem mērķiem, nekā to ir paredzējusi ražotājfirma, ir bīstama un var izraisīt neparedzamas sekas.

#### **Ar akumulatoru darbināmas iekārtas lietošana un apkope**

- ▶ **Akumulatora uzlādei jālieto tikai ražotāja ieteiktie lādētāji.** Noteikta veida akumulatoriem paredzēts lādētājs kļūst ugunsbīstams, ja to izmanto ar cita veida akumulatoriem.
- ▶ **Izmantojiet elektroiekārtas barošanai tikai tai paredzētos akumulatorus.** Cita tipa akumulatoru lietošana var izraisīt iekārtas un/vai akumulatora aizdegšanos.
- ▶ **Laikā, kad akumulators ir atvienots no iekārtas, nepieļaujiet tā kontaktu saskaršanos ar saspraudēm, monētām, atslēgām, naglām, skrūvēm vai citiem nelieliem metāla priekšmetiem, kas varētu izraisīt issavienojumu.** Ja starp akumulatora kontaktiem rodas issavienojums, tas var sadegt vai kļūt par ugunsgrēka cēloni.
- ▶ **Nepareizi lietojot akumulatoru, no tā var izplūst šķidrums. Nepieļaujiet tā nokļūšanu uz ādas.** No akumulatora izplūdušais šķidrums var izraisīt ādas kairinājumu vai pat apdegumus. Ja tas tomēr nejausī ir noticis, noskalojiet ar ūdeni. Ja šķidrums iekļūst acīs, izskalojiet acis un nekavējoties griezieties pie ārsta.

#### **Serviss**

- ▶ **Uzdodiet elektroiekārtas remontu veikt tikai kvalificētam personālam, kas izmanto vienīgi oriģinālās rezerves daļas.** Tikai tā ir iespējams saglabāt elektroiekārtas funkcionālo drošību.

#### **2.1.2 Vispārīgi drošības norādījumi, kas jāievēro, slīpējot, lietojot smilšpapīru, strādājot ar stieplu birstēm, veicot pulēšanas un griešanas darbus**

- ▶ **Šī elektroiekārta ir paredzēta slīpēšanai, kā arī abrazīvajai griešanai. Ievērojiet visus drošības norādījumus, instrukcijas, attēlus un datus, kas saņemti kopā ar iekārtu.** Šādu norādījumu neievērošana var kļūt par cēloni elektrotraumām, ugunsgrēkam un / vai smagiem savainojumiem.
- ▶ **Šī elektroiekārta nav paredzēta slīpēšanai ar smilšpapīru, darbam ar stieplu birstēm un pulēšanai.** Elektroiekārtas izmantošana mērķiem, kam tā nav paredzēta, var izraisīt bīstamas situācijas un traumas.
- ▶ **Nelietojiet nekādu papildu aprikojumu, ja tā lietošanu kopā ar konkrēto elektroiekārtu nav paredzējis un ieteicis iekārtas ražotājs.** Tas vien, ka aprikojumu ir iespējams nostiprināt jūsu elektroiekārtā, vēl nenozīmē, ka tiek garantēta drošība.
- ▶ **Iekārtā nostiprināmā instrumenta pieļaujamajam rotācijas ātrumam jābūt vismaz tikpat lielam kā uz iekārtas norādītajam maksimālajam rotācijas ātrumam.** Ja instrumentu rotācijas ātrums pārsniedz pieļaujamo, tie var salūzt un aizlidot.
- ▶ **Iekārtā nostiprināmā instrumenta ārējam diametram un biežumam jāatbilst norādītajiem elektroiekārtas parametriem.** Instrumentus ar neatbilstīgiem parametriem nav iespējams pietiekami nosēgt vai kontrolēt.
- ▶ **Maināmajiem instrumentiem ar vītnes kātu precīzi jāatbilst slīpēšanas vārpstas vītnei. Maināmajiem instrumentiem, kas tiek montēti ar atloksavienojuma palīdzību, instrumenta atveres diametram jāatbilst atloka iestiprināšanas diametram.** Darba instrumenti, kas netiek stiprināti tieši pie elektroiekārtas, var rotēt nevienmērīgi, spēcīgi vibrēt un izraisīt kontroles zudumu.
- ▶ **Nelietojiet bojātas elektroiekārtas. Pirms katras lietošanas reizes pārbaudiet, vai nostiprināmajiem instrumentiem, piemēram, slīpīpām, nav atdalījušās šķembas un radušās plaisas, slīpēšanas diskjiem nav radušās plaisas vai izteiktas nodiluma vai nolietojuma pazīmes un stieplu birstēm nav atdalījušās vai salūzušās atsevišķas stieples.** Ja elektroiekārta vai nostiprināmais instruments nokrīt zemē, pārbaudiet, vai nav radušies bojājumi, un šaubu gadījumā lietojiet citu instrumentu. Pēc tam, kad esat instrumentu pārbaudījuši un nostiprinājuši iekārtā, ļaujiet iekārtai vienu minūti darboties ar maksimālo rotācijas ātrumu, nodrošinot, lai ne jūs, ne citas personas neatrastos rotējošā instrumenta kustības zonā. Ja nostiprinātais instruments ir bojāts, tas vairumā gadījumu salūst jau testa laikā.
- ▶ **Valkājiet individuālo aizsargaprikojumu. Atkarībā no darba veida lietojiet pilnu sejas masku, pusmasku vai aizsargbrilles. Ja nepieciešams, valkājiet masku ar putekļu filtru, ausiņas vai ausu aizbāžņus, aizsargcimdus vai speciālu priekšautu, kas pasargā no slīpēšanas putekļiem un sīkām materiāla daļiņām.** Sargājiet acis no svešķermeņiem, kas dažādu darbu laikā var atdalīties no apstrādājamā materiāla. Respiratoram vai maskai jānodrošina darba laikā radīto putekļu filtrēšana. Ilgstoša spēcīga trokšņa iedarbība var izraisīt dzirdes traucējumus.
- ▶ **Pievērsiet uzmanību tam, lai darba zonai netuvotos citi cilvēki. Visiem, kas uzturas darba zonā, jāvalkā atbilstošs individuālais aizsargaprikojums.** Apstrādājamā materiāla šķembas vai salūzuša instrumenta daļas var apdraudēt cilvēkus arī ārpus tiešās darba veikšanas zonas.



- ▶ **Ja darba laikā pastāv iespēja, ka elektroiekārtā nostiprinātais instruments var nonākt saskarē ar apslēptiem elektriskajiem vadiem, vienmēr satveriet iekārtu tikai aiz izolētajām rokturu virsmām.** Saskaroties ar spriegumam pieslēgtiem vadiem, spriegums tiek novadīts uz iekārtas metāla daļām, radot elektrošoka risku.
- ▶ **Sargājiet iekārtas barošanas kabeli no rotējošiem instrumentiem.** Ja jūs zaudējat kontroli pār iekārtu, instruments var pārraut vai aizķert barošanas kabeli, kā rezultātā jūsu roka var tikt ierauta instrumenta darbības zonā un saskarties ar to.
- ▶ **Nekad nenolieciet iekārtu, kamēr nav pilnībā apstājies tajā nostiprinātā instrumenta kustība.** Rotējošais instruments var saskarties ar virsmu, uz kuras novietota iekārta, un jūs zaudēsiet kontroli pār elektroiekārtu.
- ▶ **Nekādā gadījumā nepārnēsājiet iedarbinātu elektroiekārtu.** Rotējošais darba instruments var nejauši nonākt saskarē ar jūsu apģērbu un izraisīt traumas.
- ▶ **Regulāri iztīriet elektroiekārtas ventilācijas atveres.** Motora ventilators ierauj putekļus iekārtas korpusā, tādēļ pastiprināta metāla putekļu uzkrāšanās var mazināt iekārtas elektrodrošību.
- ▶ **Nelietojiet elektroiekārtu degošu materiālu tuvumā.** Dzirksteles var izraisīt aizdegšanos.
- ▶ **Nelietojiet iekārtu darba instrumentus, kam nepieciešama dzesēšanas emulsija.** Ūdens vai citu dzesēšanas šķidrumu lietošana var kļūt par cēloni elektrošokam.

#### Atsitiens un ar to saistītie drošības norādījumi

Atsitiens ir negaidīta reakcija uz rotējoša instrumenta, piemēram, slīpripas, pulēšanas diska vai tērauda birstes u.c., iekēršanas vai nobloķēšanas. Ja instruments iekeras vai nobloķējas, nekavējoties tiek apstādīnāta tā rotācijas kustība. Tā rezultātā nepietiekami kontrolēta elektroiekārta tiek pakļauta straujam paātrinājuma triecienam, kas darbojas pretēji rotējošā instrumenta kustības virzienam.

Piemēram, ja slīpripa iekeras apstrādājamā materiālā vai nobloķējas, materiālā iegremdētā ripas mala var iestrēgt, izraisot slīpripas izlaušanu un radot atsitienu. Šādā gadījumā slīpripas kustība ir pavērsta pret iekārtas lietotāju vai pretējā virzienā – atkarībā no slīpripas rotācijas virziena nobloķēšanās vietā. Rezultātā slīpripa var arī salūzt.

Atsitiens ir nepareizas vai neatbilstīgas elektroiekārtu izmantošanas sekas. No tā ir iespējams izvairīties, ievērojot turpmāk aprakstītos drošības pasākumus.

- ▶ **Satveriet elektroiekārtu kārtīgi un ieņemiet tādu ķermeņa pozīciju un turiet rokas tā, lai nepieciešamības gadījumā varētu droši reaģēt uz atsitienu spēku.** Ja iekārtai ir paredzēts papildu rokturis, tas vienmēr jālieto, lai nodrošinātu maksimālu kontroli pār eventuālo atsitienu un spēku, ko rada paātrinājums, iekārtai uzņemot apgrīzienus. Ja iekārtas lietotājs veic atbilstošus piesardzības pasākumus, viņš spēj adekvāti reaģēt uz atsitienu vai paātrinājuma spēkiem.
- ▶ **Nekādā gadījumā netuviniet rokas rotējošiem instrumentiem.** Atsitienu gadījumā instruments var savainot jūsu rokas.
- ▶ **Nostājieties tā, lai jūsu ķermenis neatrastos iespējamā atsitienu iedarbības zonā.** Elektroiekārtas piedziņa instrumenta nobloķēšanās gadījumā izraisīs slīpripas atsitienu pretēji tās kustības virzienam.
- ▶ **Īpaša piesardzība jāievēro, strādājot asu šķautņņu un stūru tuvumā u.tml. vietās. Nepieļaujiet iespēju, ka iekārtā nostiprinātais instruments var atsisties atpakaļ no apstrādājamā materiāla un iestrēgt.** Stūros, pie šķautnēm vai atsišanās gadījumā rotējošajam instrumentam piemīt tendence iestrēgt. Tā rezultātā var zust kontrole pār iekārtu vai rasties spēcīgs atsitiens.
- ▶ **Nelietojiet ķēdes zāģus vai zobainos zāģu asmeņus.** Šādi instrumenti bieži rada atsitienu vai mazina kontroli pār elektroiekārtu.

#### Īpaši drošības norādījumi par slīpēšanu un abrazīvo griešanu

- ▶ **Kopā ar elektroiekārtu izmantojiet tikai konkrētai paredzētus slīpēšanas materiālus un kopā ar tiem lietojamo drošības pārsegu.** Slīpēšanas materiālus, kas nav paredzēti konkrētajai elektroiekārtai, nav iespējams pietiekami nodrošināt, tādēļ tie var radīt bīstamas situācijas.
- ▶ **Liekta slīpripas jāuzmontē tā, lai slīpēšanas plakne nebūtu izvirzīta ārpus drošības pārsega malas.** Ja slīpripa nav uzmontēta pareizi un ir izvirzīta ārpus drošības pārsega malas, to nav iespējams aizsardzības nolūkā pietiekami aizseg.
- ▶ **Drošības pārsegam jābūt kārtīgi nostiprinātam pie elektroiekārtas un, lai garantētu maksimālu drošību, iestatītam tā, lai iespējami neliela slīpēšanas instrumenta daļa būtu valējā veidā pavērsta pret iekārtas lietotāju.** Drošības pārsegs palīdz pasargāt iekārtas lietotāju no lidojošām atlūzām, nejaušas saskares ar slīpēšanas instrumentu, kā arī dzirkstelēm, kas var izraisīt apģērba aizdegšanos.
- ▶ **Slīpēšanas materiālus drīkst izmantot tikai norādītajiem lietojuma veidiem. Piemēram: nelietojiet griezējripas slīpēšanai.** Griezējripas ir paredzētas materiāla kārtas noņemšanai ar ripas malu. Ja uz šādiem slīpēšanas materiāliem iedarbojas spēks no sāniem, tie var salūzt.



- ▶ **Izvēlētās slīpripas nostiprināšanai vienmēr izmantojiet nebojātus fiksācijas atlokus ar atbilstīgiem izmēriem un formu.** Piemēroti atloki pareizi atbalsta slīpripu un tādējādi samazina rīpas salūšanas risku. Griezējripu nostiprināšanai paredzētie fiksācijas atloki var atšķirties no citu slīpripu atloka stiprinājumiem.
- ▶ **Neizmantojiet nolietotas slīpripas, kas pirms tam izmantotas kopā ar lielākām elektroiekārtām.** Lielākā izmēra elektroiekārtu slīpripas nav paredzētas mazo elektroiekārtu lielajam rotācijas ātrumam un tādējādi var salūzt.

#### **Citi īpaši drošības norādījumi par abrazīvo griešanu**

- ▶ **Nepieļaujiet griezējripas nobloķēšanos un neizdariet uz to pārāk lielu spiedienu. Neveiciet pārmērīgi dziļus griezumus.** Griezējripas pārslodze palielina spēkus, kas uz to iedarbojas, un sasvēršanās vai nobloķēšanās iespēju, kā rezultātā atbilstoši palielinās arī atsitiena un slīpēšanas materiāla salūšanas risks.
- ▶ **Izvaieties uzturēties rotējošās griezējripas priekšpusē un aiz tās.** Ja jūs virzāt griezējripu apstrādājamā materiālā tieši prom no sevis, atsitiena gadījumā elektroiekārta centrālās spēka iedarbībā tiks uzgrūsta jums virsū.
- ▶ **Ja griezējripa iestrēgst vai ja vēlaties pārtraukt darbu, izslēdziet iekārtu un turiet to mierīgi, līdz rīpas rotācija pilnībā apstājas. Nekādā gadījumā nemēģiniet izvilkt griezējripu no griezuma vietas, kamēr tā vēl rotē, jo tas var izraisīt atsitieni.** Atrodiet un novērsiet iestrēgšanas cēloni.
- ▶ **Nemēģiniet no jauna ieslēgt iekārtu, kamēr instruments atrodas materiālā. Vispirms ļaujiet griezējripai sasniegt pilnu apgriezumu skaitu un tikai pēc tam varat uzmanīgi turpināt griezumu.** Pretējā gadījumā rīpa var iestrēgt, atlekt no apstrādājamā materiāla un izraisīt atsitieni.
- ▶ **Lai novērstu iestrēgušas griezējripas atsitiena risku, plāksnes vai citas liela izmēra apstrādājamās detaļas atbilstoši jāatbalsta.** Liela izmēra detaļas var izliekties pašas no sava svara. Detaļa jāatbalsta abās rīpas pusēs, turklāt gan griezuma tuvumā, gan pie ārmas.
- ▶ **Ievērojiet īpašu piesardzību, izdarot "iegremdētus iegriezumus" esošās sienās vai citās nepārrēdzamās vietās.** Iegremdēšanas laikā griezējripa var saskarties ar gāzes vai ūdensvada caurulēm, elektroinstalācijām vai citiem iestrādātiem objektiem un izraisīt atsitieni.

### **2.1.3 Papildnorādījumi par drošību**

#### **Personiskā drošība**

- ▶ Lietojiet izstrādājumu tikai tad, ja tas ir tehniski nevainojamā stāvoklī.
- ▶ Nekādā gadījumā neveiciet ar iekārtu neatļautas manipulācijas un nemēģiniet to pārveidot.
- ▶ Izvaieties no saskares ar rotējošām daļām. Traumu risks!
- ▶ Arī instrumenta maiņas laikā valkājiet aizsargcimdus. Saskare ar maināmo instrumentu var izraisīt grieztas traumas un apdegumus.
- ▶ Pirms darba sākšanas noskaidrojiet darba laikā radušos putekļu bīstamības kategoriju. Lietojiet celtniecības putekļsūcēju ar oficiālas sertifikācijas ietvaros piešķirtu drošības klasifikāciju, kas atbilst vietējiem putekļu ietekmes ierobežošanas normatīviem. Putekļi, ko rada tādi materiāli kā, piemēram, svīnu saturoša krāsa, daži koksnes veidi, betons / mūris / kvarcu saturoši akmeņi, minerāli un metāls, var būt kaitīgi veselībai.
- ▶ Nodrošiniet darba vietā labu ventilāciju un, ja nepieciešams, valkājiet elpceļu aizsargmasku, kas aizsargā pret attiecīgā veida putekļiem. Saskare ar šiem putekļiem vai to ieelpošana var izraisīt lietotāja vai citu tuvumā esošo personu alerģiskas reakcijas un/vai elpceļu saslimšanas. Noteikti putekļu veidi, piemēram, ozola un skābarža koksnes putekļi, tiek uzskatīti par kancerogēniem – jo īpaši kopā ar kokapstrādē izmantojamām vielām (hromātiem, koksnes aizsarglīdzekļiem). Azbestu saturošus materiālus drīkst apstrādāt tikai kompetenti speciālisti.
- ▶ Darba pārtraukumos izpildiet pirkstu vingrinājumus, kas uzlabo asinsriti. Ilgstoša darba gadījumā vibrācija var radīt traucējumus pirkstu, roku vai plaukstas locītavu asinsvadu un nervu sistēmas funkcijās.

#### **Elektrodrošība**

- ▶ Pirms darba sākšanas pārbaudiet, vai darba zonā neatrodas neseģti elektrības vadi, gāzes vai ūdensapgādes caurules. Nejausi sabojājot zem sprieguma esošus vadus, iekārtas ārējās metāla daļas var izraisīt elektrošoku.

#### **Rūpīga elektroiekārtu lietošana un apkope**

- ▶ Nelietojiet griezējripas rauņķajai slīpēšanai.
- ▶ Stingri pievelciet darba instrumentu un atloka stiprinājumu. Ja darba instruments un atloka stiprinājums netiek stingri pievilkti, pastāv iespēja, ka pēc izslēgšanas darba instruments iekārtas motora bremzēšanas rezultātā atdalās no vārpstas.
- ▶ Ievērojiet ražotāja norādījumus par slīpripu lietošanu un uzglabāšanu.



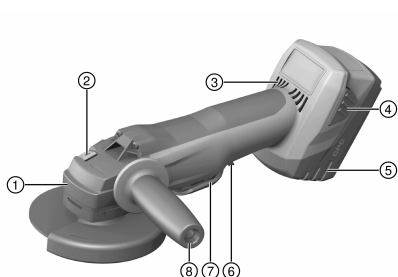


### 2.1.4 Akumulatoru pareiza lietošana un apkope

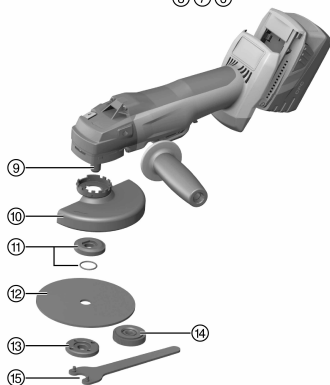
- ▶ Ievērojiet īpašos norādījumus par litija jonu akumulatoru transportēšanu, uzglabāšanu un ekspluatāciju.
- ▶ Sargājiet akumulatorus no augstas temperatūras, tiešiem saules stariem un uguns.
- ▶ Akumulatorus nedrīkst izjaukt, saspīest, sakarsēt virs 80 °C vai sadedzināt.
- ▶ Nemēģiniet izmantot vai uzlādēt akumulatorus, kas bijuši pakļauti triecienam, krituši no vairāk nekā viena metra augstuma vai ir citā veidā bojāti. Šādā gadījumā vienmēr vērsieties savā **Hilti servisā**.
- ▶ Ja akumulators kļūst pārāk karsts, iespējams, ka tas ir bojāts. Novietojiet iekārtu pietiekamā attālumā no degošiem materiāliem, vietā, kur nevar notikt aizdegšanās un kur to iespējams pastāvīgi novērot, un ļaujiet tai atdzist. Šādā gadījumā vienmēr vērsieties savā **Hilti servisā**.

## 3 Apraksts

### 3.1 Izstrādājuma pārskats



- 1 Pārsega atbloķēšanas taustiņš
- 2 Vārpstas bloķēšanas taustiņš
- 3 Ventilācijas atveres
- 4 Atbloķēšanas taustiņš ar papildu funkciju – uzlādes statusa indikācijas aktivēšanu
- 5 Akumulators
- 6 Ieslēgšanās bloķēšana
- 7 Ieslēgšanas un izslēgšanas slēdzis
- 8 Vibrāciju slāpējošs sānu rokturis
- 9 Vārpsta
- 10 Standarta drošības pārsegs
- 11 Fiksācijas atloks ar apaļa šķērsriezuma gredzenu
- 12 Abrazīvā griezējripa / raupjās slīpēšanas riņa
- 13 Stiprināšanas uzgrieznis
- 14 Ātrās fiksācijas uzgrieznis **Kwik lock** (opcija)
- 15 Fiksācijas atslēga



### 3.2 Nosacījumiem atbilstīga lietošana

Aprakstītais izstrādājums ir manuāli vadāma, ar akumulatoru darbināma leņķa slīpmašīna. Tā ir paredzēta metāla un minerālu materiālu abrazīvai griešanai un raupjai slīpēšanai, kā arī flīžu urbšanai, nepievadot ūdeni. To drīkst lietot tikai griešanai / slīpēšanai sausā veidā.

- Minerālu materiālu griešana, rievošana un slīpēšana ir atļauta tikai tad, ja tiek izmantots atbilstīgs drošības pārsegs (iegādājams papildus).
- Apstrādājot minerālus materiālus, piemēram, betonu vai akmeni, jāizmanto putekļu nosūkšanas pārsegs ar atbilstīgu **Hilti** sistēmas putekļu nosūcēju.
- ▶ Lietojiet šī izstrādājuma barošanai tikai sērijas B 22 **Hilti** litija jonu akumulatorus.
- ▶ Lietojiet šo akumulatoru uzlādēšanai tikai sērijas C4/36 **Hilti** lādētājus.

### 3.3 Piegādes komplektācija

Leņķa slīpmašīna, sānu rokturis, standarta drošības pārsegs, priekšējais aizsargs, fiksācijas atloks, fiksācijas uzgrieznis, fiksācijas atslēga, lietošanas instrukcija.



### 3.4 Iekārtas termiskā aizsardzība

Motora termiskās aizsardzības sistēma kontrolē ieejas strāvu un motora sasilšanas procesu, tādējādi pasargājot iekārtu no pārkaršanas.

Ja pārāk liela piespiešanas spēka rezultātā notiek motora pārslodze, motora jauda ievērojami samazinās vai iekārtas darbība apstājas pavisam.

Ja pārslodzes dēļ apstājas iekārtas darbība vai samazinās apgriezību skaits, iekārta jāatbrīvo no slodzes un aptuveni 30 sekundes jādarbina tukšgaitā.

### 3.5 Drošības pārsegs ar priekšējo aizsargu

Apstrādājot metāla materiālus, raupjajai slīpēšanai ar taisnām slīpripām un griešanai ar abrazīvajām griezējripām jālieto standarta drošības pārsegs ar priekšējo pārsegu.

### 3.6 Putekļu pārsegs (griešanai) DC-EX 125/5°C kompaktais pārsegs (papildaprīkojums)

Minerālu materiālu abrazīvajai griešanai ar dimanta griezējripām jālieto kompaktais pārsegs DC-EX 125/5" C. **UZMANĪBU!** Apstrādājot metālus, šī pārsega lietošana ir aizliegta.

### 3.7 Putekļu pārsegs (slīpēšanai) DG-EX 125/5" (papildaprīkojums)

Slīpēšanas sistēma ir izmantojama, lai ar to tikai atsevišķos gadījumos slīpētu minerālus materiālus, izmantojot kausveida dimanta slīpripas.

**UZMANĪBU!** Apstrādājot metālus, šī pārsega lietošana ir aizliegta.

### 3.8 Litija jonu akumulatora uzlādes statusa indikācija

Litija jonu akumulatora uzlādes statusu iespējams apskatīties, īsi nospiežot vienu no akumulatora atbloķēšanas taustiņiem.

Stavuss	Nozīme
4 LED deg.	Uzlādes stavuss: no 75 % līdz 100 %
3 LED deg.	Uzlādes stavuss: no 50 % līdz 75 %
2 LED deg.	Uzlādes stavuss: no 25 % līdz 50 %
1 LED deg.	Uzlādes stavuss: no 10 % līdz 25 %
1 LED mirgo.	Uzlādes stavuss: < 10 %



Darba laikā un uzreiz pēc tā pabeigšanas uzlādes statusa nolasišana nav iespējama. Ja mirgo akumulatora uzlādes statusa indikācijas LED, lūdzu, sekojiet nodaļas "Traucējumu diagnostika" norādījumiem.

## 4 Patēriņa materiāli

Drīkst izmantot tikai ripas ar sintētisko sveķu saistvielu un šķiedru armējumu, kas paredzētas maks. Ø 125 mm un aļautas lietošanai ar rotācijas ātrumu vismaz 11000 apgr./min un aploces ātrumu 80 m/s.

Raupjās slīpēšanas ripas biezumam jābūt maks. 6,4 mm un abrazīvās griezējripas biezumam - maks. 3 mm.

**UZMANĪBU!** Veicot griešanu un rievšanu ar abrazīvajām griezējripām, vienmēr lietojiet standarta drošības pārsegu ar papildu priekšējo aizsargu vai pilnībā noslēgtu putekļu pārsegu.

### Ripas

	Lietošana	Saišinājums	Virsmā
Abrazīva griezējriņa	Griešana, rievšana	AC-D	metāla
Dimanta griezējriņa	Griešana, rievšana	DC-TP, DC-D (SPX, SP, P)	minerāla
Abrazīva raupjās slīpēšanas riņa	Raupjā slīpēšana	AG-D, AF-D, AN-D	metāla
Dimanta raupjās slīpēšanas riņa	Raupjā slīpēšana	DG-CW (SPX, SP, P)	minerāla



	Lietošana	Saisnājums	Virsmā
Dimanta vainagurbis	Flīžu urbšana	DD-M14	minerāla

#### Ripu atbilstība izmantojamajam aprīkojumam

Poz.	Aprīkojums	AC-D	AG-D	AF-D	AN-D	DG-CW	DC-D	DD-M14
A	Drošības pārsegs	X	X	X	X	X	X	X
B	Priekšējais pārsegs (kopā ar A)	X	—	—	—	—	X	—
C	Putekļu pārsegs (slīpēšanai) DG-EX 125/5"	—	—	—	—	X	—	—
D	Putekļu pārsegs (griešanai) DC-EX 125/5"C (kopā ar A)	—	—	—	—	—	X	—
E	Sānu rokturis	X	X	X	X	X	X	X
F	Stīpas rokturis DCBG 125 (opcija pie E)	X	X	X	X	X	X	X
G	Fiksācijas uzgrieznis	X	X	X	X	X	X	—
H	Fiksācijas atloks	X	X	X	X	X	X	—
I	<b>Kwik lock</b> (pēc izvēles kopā ar G)	X	X	X	X	—	X	—

## 5 Tehniskie parametri

	AG 125-A22
Nominālais spriegums	21,6 V
Nominālais apgriezīnu skaits	9 500 apgr./min
Ripas maksimālais diametrs	125 mm
Svars saskaņā ar EPTA Procedure 01, ar akumulatoru B22/8.0	3,3 kg
Darba vārpstas vītne	M14
Vārpstas garums	22 mm

### 5.1 Informācija par troksni un vibrāciju saskaņā ar EN 60745

Šajās instrukcijās norādītie lielumi, kas raksturo skaņas spiedienu un vibrāciju, ir noteikti ar standartizētas mērījumu metodes palīdzību, un tos var izmantot elektroiekārtu savstarpējai salīdzināšanai. Tos var izmantot arī trokšņa un vibrācijas iedarbības pagaidu novērtējumam. Norādītie parametri attiecas uz elektroiekārtas galvenajiem lietošanas veidiem. Taču, ja elektroiekārta tiek izmantota citos nolūkos, ar citiem maināmajiem instrumentiem vai netiek nodrošināta pietiekama tās apkope, parametri var atšķirties no norādītajiem. Tas var ievērojami palielināt trokšņa un vibrācijas iedarbību visā darba laikā. Lai precīzi novērtētu iedarbību, jāņem vērā arī laiks, cik ilgi iekārta ir izslēgta vai ir ieslēgta, taču faktiski netiek darbināta. Tas var būtiski samazināt iedarbību kopējā darba laikā. Jāparedz papildu drošības pasākumi, lai aizsargātu iekārtas lietotāju pret trokšņa un/vai vibrācijas iedarbību, piemēram, elektroiekārtas un maināmo instrumentu apkope, roku turēšana siltumā, darba procesu organizācija.

#### Informācija par troksni

Skaņas spiediena līmenis ( $L_{pA}$ )	83 dB(A)
Skaņas spiediena līmeņa pielāide ( $K_{pA}$ )	3 dB(A)
Skaņas jaudas līmenis ( $L_{WA}$ )	94 dB(A)
Skaņas jaudas līmeņa pielāide ( $K_{WA}$ )	3 dB(A)

#### Informācija par vibrāciju

Lietošana citiem darbiem, piemēram, griešanai, var izraisīt vibrācijas lielumu izmaiņas.

Virsmas slīpēšana, izmantojot vibrāciju slāpējošo rokturi ( $a_{h,AG}$ )	3,8 m/s <sup>2</sup>
Iespējamā kļūda (K)	1,5 m/s <sup>2</sup>



## 5.2 Akumulators

Akumulatora darba spriegums	21,6 V
Apkārtējā temperatūra darbības laikā	-17 °C ... 60 °C
Uzglabāšanas temperatūra	-20 °C ... 40 °C
Akumulatora temperatūra uzlādes sākumā	-10 °C ... 45 °C

## 6 Lietošanas sākšana

### 6.1 Akumulatora ievietošana

#### IEVĒROT PIESARDZĪBU!

**Traumu risks**, ko izraisa leņķa slīpmašīnas nekontrolēta ieslēgšanās.

- ▶ Pirms akumulatora ievietošanas pārliecinieties, vai leņķa slīpmašīna ir izslēgta un vai ir aktivēta ieslēgšanās bloķēšana.

#### IEVĒROT PIESARDZĪBU!

**Elektrorisks**. Netīri kontakti var izraisīt īssavienojumu.

- ▶ Pirms akumulatora ievietošanas pārliecinieties, ka uz akumulatora un leņķa slīpmašīnas kontaktiem nav nekādu svešķermeņu.

#### IEVĒROT PIESARDZĪBU!

**Traumu risks**. Ja akumulators nav ievietots kārtīgi, tas var nokrist.

- ▶ Lai akumulatora nokrišana neapdraudētu jūs vai citus cilvēkus, pārbaudiet, vai tas ir nofiksēts kārtīgi.
- ▶ Ievietojiet akumulatoru un pārbaudiet, vai tas ir droši nofiksēts iekārtā.

### 6.2 Akumulatora izņemšana

- ▶ Izņemiet akumulatoru.

### 6.3 Sānu roktura montāža

- ▶ Ieskrūvējiet sānu rokturi vienā no paredzētajiem vītņotajiem ieliktniem.

### 6.4 Drošības pārsega montāža un demontāža

#### IEVĒROT PIESARDZĪBU!

**Traumu risks**. Maināmais instruments var būt karsts vai ar asām malām.

- ▶ Montāžas, demontāžas, iestatīšanas un traucējumu novēršanas darbu laikā valkājiet aizsargcimdus.

- ▶ Ievērojiet attiecīgā drošības pārsega montāžas instrukciju.

#### 6.4.1 Drošības pārsega montāža



Drošības pārsegam ir kodēšanas tapa, kas ļauj uzmontēt tikai tādu pārsegu, kas atbilst konkrētajai iekārtai. Drošības pārsegs ar kodēšanas tapu nofiksējas iekārtas pārsega stiprinājumā.

1. Uzlieciet drošības pārsegu uz vārpstas sašaurinājuma tā, lai trīsstūra marķējumi uz iekārtas un uz pārsega būtu novietoti viens otram pretī.
2. Uzspiediet drošības pārsegu uz vārpstas sašaurinājuma.
3. Nospiediet pārsega atbloķēšanas pogu.
4. Pagrieziet drošības pārsegu, līdz tas nofiksējas un pārsega bloķēšanas poga izlec ārā.

#### 6.4.2 Drošības pārsega pozīcijas maiņa

- ▶ Pārvarot atsperes spēku, uzspiediet pārsegu uz vārpstas sašaurinājuma un pagrieziet to vajadzīgajā pozīcijā, līdz tas nofiksējas.



### 6.4.3 Drošības pārsega demontāža

1. Nospiediet atbloķēšanas taustiņu un pagrieziet pārsegu tā, lai trīsstūra marķējums uz iekārtas būtu novietots pretī atzīmei uz pārsega.
2. Noņemiet drošības pārsegu.

## 6.5 Priekšējā pārsega montāža un demontāža



Ja tiek izmantots priekšējais pārsegs, tas jānofiksē uz drošības pārsega.

1. Uzlieciet priekšējo pārsegu ar slēgtu pusi uz standarta drošības pārsega, līdz tas nofiksējas.
2. Lai veiktu demontāžu, atveriet priekšējā pārsega fiksāciju un noņemiet priekšējo pārsegu no standarta drošības pārsega.

## 6.6 Putekļu pārsega (griešanai) DC-EX 125/5°C pozicionēšana

- ▶ Novietojiet kompakto pārsegu tā, lai jebkurā brīdī būtu netraucēti pieejams un nospiežams ieslēgšanas / izslēgšanas slēdzis.

## 6.7 Maināmā darba instrumenta montāža un demontāža

### IEVĒROT PIESARDZĪBU!

**Traumu risks.** Darba instruments var spēcīgi sakarst.

- ▶ Darba instrumenta nomaīņas laikā valkājiet aizsargcimdus.



Dimanta slīpriņas jāmaina, līdzko ievērojami samazinās griešanas vai slīpēšanas efektivitāte. Kopumā ņemot, tas parasti notiek tad, kad dimanta segmentu augstums ir kļuvis mazāks nekā 2 mm.

Pārējo tipu ripas jāmaina, līdzko ievērojami samazinās griešanas efektivitāte vai citas leņķa slīpmašīnas daļas (izņemot slīpriņu) nonāk saskarē ar apstrādājamo materiālu.

Abrazīvās ripas jāmaina, kad beidzas to derīguma termiņš.

### 6.7.1 Maināmā instrumenta montāža

1. Izņemiet akumulatoru. → Lappuse 94
2. Pārbaudiet, vai apaļā šķērsriezuma blīvgredzens atrodas fiksācijas atlokā un nav bojāts.

#### Rezultāts

Apaļā šķērsriezuma blīvgredzens ir bojāts.

Apaļā šķērsriezuma blīvgredzens neatrodas fiksācijas atlokā.

- ▶ Ievietojiet jaunu apaļā šķērsriezuma blīvgredzenu.
3. Uzlieciet fiksācijas atloku uz vārpstas tā, lai tas piekļautos virsmai un nebūtu pagrozāms.
  4. Uzlieciet maināmo instrumentu.

### BRĪDINĀJUMS!

**Traumu risks.** Iekārtas motora bremzēšanas laikā var atbrīvoties maināmā darba instrumenta fiksācija.

- ▶ Pirms pieskarties darba instrumentam vai fiksācijas uzgriežnim, nogaidiet, līdz apstājas darba instrumenta kustība.
- ▶ Pievelciet darba instrumentu un fiksācijas atloku ar fiksācijas uzgriezni tā, lai iekārtas motora bremzēšanas laikā neviena detaļa nevarētu atdalīties no vārpstas.

5. Pievelciet fiksācijas uzgriezni atbilstīgi lietojamajam darba instrumentam.
6. Nospiediet vārpstas bloķēšanas taustiņu un turiet to nospiestu.
7. Ar fiksācijas atslēgu pievelciet fiksācijas uzgriezni, pēc tam atlaidiet vārpstas bloķēšanas taustiņu un noņemiet fiksācijas atslēgu.

### 6.7.2 Maināmā instrumenta demontāža

1. Izņemiet akumulatoru. → Lappuse 94



**⚠ IEVĒROT PIESARDZĪBU!**

**Salūšanas un bojājumu risks.** Ja vārpstas bloķēšanas taustiņš tiek nospiests laikā, kad vārpsta griežas, var atbrīvoties darba instrumenta fiksācija.

- ▶ Spiediet vārpstas bloķēšanas taustiņu tikai tad, kad vārpsta neatrodas kustībā.
2. Nospiediet vārpstas bloķēšanas taustiņu un turiet to nospiestu.
  3. Atbrīvojiet fiksācijas uzgriezni, uzliekot uz tā fiksācijas atslēgu un pagriežot pretēji pulksteņrādītāja kustības virzienam.
  4. Atlaidiet vārpstas bloķēšanas taustiņu un noņemiet maināmo darba instrumentu.

**6.7.3 Maināmā darba instrumenta ar ātrās fiksācijas uzgriezni Kwik lock montāža 11****⚠ IEVĒROT PIESARDZĪBU!**

**Salūšanas risks.** Spēcīgs nodlums var izraisīt ātrās fiksācijas uzgriežņa **Kwik lock** salūšanu.

- ▶ Raugieties, lai ātrās fiksācijas uzgrieznis **Kwik lock** nenonāktu saskarē ar apstrādājamo virsmu.
- ▶ Nelietojiet bojātu ātrās fiksācijas uzgriezni **Kwik lock**.



Fiksācijas uzgriežņa vietā pēc izvēles var lietot ātrās fiksācijas uzgriezni **Kwik lock**. Tas ļauj veikt maināmo darba instrumentu nomaiņu bez papildu instrumentu palīdzības.

1. Izņemiet akumulatoru. → Lappuse 94
2. Notīriet fiksācijas atloku un ātrās fiksācijas uzgriezni.
3. Uzlieciet fiksācijas atloku uz vārpstas.
4. Uzlieciet maināmo instrumentu.
5. Līdz atdurei uzskrūvējiet ātrās fiksācijas uzgriezni **Kwik lock** uz darba instrumenta.
  - ▶ Uzskrūvētā stāvoklī ir redzams uzraksts **Kwik lock**.
6. Nospiediet vārpstas bloķēšanas taustiņu un turiet to nospiestu.
7. Ar roku turpiniet spēcīgi griezt maināmo instrumentu pulksteņrādītāja kustības virzienā, līdz ātrās fiksācijas uzgrieznis **Kwik lock** ir stingri pievilkts, un pēc tam atlaidiet vārpstas bloķēšanas taustiņu.

**6.7.4 Maināmā darba instrumenta ar ātrās fiksācijas uzgriezni Kwik lock demontāža**

1. Izņemiet akumulatoru. → Lappuse 94

**⚠ IEVĒROT PIESARDZĪBU!**

**Salūšanas un bojājumu risks.** Ja vārpstas bloķēšanas taustiņš tiek nospiests laikā, kad vārpsta griežas, var atbrīvoties darba instrumenta fiksācija.

- ▶ Spiediet vārpstas bloķēšanas taustiņu tikai tad, kad vārpsta neatrodas kustībā.
2. Nospiediet vārpstas bloķēšanas taustiņu un turiet to nospiestu.
  3. Atskrūvējiet ātrās fiksācijas uzgriezni **Kwik lock**, ar roku pagriežot to pretēji pulksteņrādītāja kustības virzienam.
  4. Ja ātrās fiksācijas uzgriezni **Kwik lock** ar roku neizdodas atskrūvēt, uzlieciet uz ātrās fiksācijas uzgriežņa fiksācijas atslēgu un pagriežiet to pretēji pulksteņrādītāja kustības virzienam.



Lai nesabojātu ātrās fiksācijas uzgriezni **Kwik lock**, nekādā gadījumā nelietojiet cauruļatslēgu.

5. Atlaidiet vārpstas bloķēšanas taustiņu un noņemiet maināmo darba instrumentu.

**6.7.5 Vainagurbja montāža 12**

1. Izņemiet akumulatoru. → Lappuse 94
2. Piemontējiet atpakaļ vietā sānu rokturi. → Lappuse 94
3. Piemontējiet drošības pārsegu. → Lappuse 94
4. Uzlieciet vainagurbi un pievelciet to ar roku.
5. Nospiediet vārpstas bloķēšanas taustiņu un turiet to nospiestu.
6. Pievelciet vainagurbi ar atbilstīgas dakšatslēgas palīdzību.
7. Pēc tam atlaidiet vārpstas bloķēšanas taustiņu un noņemiet dakšatslēgu.



## 7 Lietošana

### 7.1 Slīpēšana

#### IEVĒROT PIESARDZĪBU!

**Traumu risks.** Darba instruments var negaidīti nobloķēties vai iestrēgt.

- ▶ Lietojiet iekārtu kopā ar sānu rokturi (vai pēc izvēles – ar stīpas rokturi) un vienmēr satveriet iekārtu ar abām rokām.

### 7.2 Griešana

- ▶ Veiciet abrazīvo griešanu, ar mērenu spiedienu virzot iekārtu uz priekšu un nesašķiebjot iekārtu vai abrazīvo griezējripi (darba stāvoklī tā jātur apm. 90 ° leņķī pret griežamo virsmu).



Profilus un nelielas taisnstūra caurules vislabāk var pārgriezt, izdarot griezumu mazākā šķērsriezuma vietā.

### 7.3 Raupjā slīpēšana

#### IEVĒROT PIESARDZĪBU!

**Traumu risks.** Abrazīvā griezējripi var pārplīst, un atlūzušās daļas var izraisīt traumas.

- ▶ Nekādā gadījumā nelietojiet abrazīvās griezējripiņas virsmas raupjajai slīpēšanai.
- ▶ Izdarot mērenu spiedienu, kustiniet iekārtu turp un atpakaļ 5° līdz 30° leņķī attiecībā pret apstrādājamo virsmu..
  - ▶ Tādējādi apstrādājamais materiāls pārāk nesakarsīs un nemainīs krāsu un uz virsmas nepaliks rievās.

### 7.4 Iekārtas ieslēgšana, izmantojot ieslēgšanas / izslēgšanas slēdzi ar ieslēgšanās bloķēšanu



Pateicoties ar ieslēgšanas bloķēšanu aprīkotajiem ieslēgšanas / izslēgšanas slēdžiem, ir iespējams kontrolēt slēdža funkcijas un novērst iekārtas nejaušas iedarbināšanas iespēju.

1. Paspiediet ieslēgšanas bloķētāju uz priekšu.
  - ▶ Ieslēgšanas / izslēgšanas slēdzis atbloķējas.
2. Nospiediet ieslēgšanas / izslēgšanas slēdzi līdz galam.
  - ▶ Iekārtas motors darbojas ar tukšgaitas apgriezību skaitu.

### 7.5 Iekārtas izslēgšana, izmantojot ieslēgšanas / izslēgšanas slēdzi ar ieslēgšanās bloķēšanu

- ▶ Atlaidiet ieslēgšanas / izslēgšanas slēdzi.
  - ▶ Ieslēgšanas bloķēšana automātiski pārslēdzas nobloķētā pozīcijā.

## 8 Apkope un uzturēšana



#### BRĪDINĀJUMS!

**Traumu risks ievietota akumulatora gadījumā !**

- ▶ Pirms jebkādiem apkopes un tehniskā stāvokļa uzturēšanas darbiem vienmēr izņemiet akumulatoru!

#### Iekārtas apkope

- Uzmanīgi notīriet pielīpušos netīrumus.
- Uzmanīgi iztīriet ventilācijas atveres ar sausu birstīti.
- Korpusa tīrīšanai jālieto tikai neredzami samitrināta drāniņa. Nedrīkst lietot silikonu saturošus kopšanas līdzekļus, kas var sabojāt plastmasas daļas.

#### Litija jonu akumulatoru apkope

- Raugieties, lai akumulators ir tīrs un nebūtu savārtīts ar eļļu un smērvielām.
- Korpusa tīrīšanai jālieto tikai neredzami samitrināta drāniņa. Nedrīkst lietot silikonu saturošus kopšanas līdzekļus, kas var sabojāt plastmasas daļas.
- Nepieļaujiet mitruma iekļūšanu.



## Uzturēšana

- Regulāri pārbaudiet visas redzamās daļas, lai pārliecinātos, ka tās nav bojātas un funkcionē nevainojami.
- Bojājumu un/vai funkciju traucējumu gadījumā izstrādājumu nedrīkst lietot. Tas nekavējoties jānodod **Hilti**, lai veiktu remontu.
- Pēc apkopes un remonta darbiem visas aizsargierīces jāpiemontē vietā un jāpārbauda, vai tās darbojas.

**i** Lai iekārtas lietošana būtu droša, izmantojiet tikai oriģinālās rezerves daļas un patēriņa materiālus. Rezerves daļas un patēriņa materiālus, kuru lietošanu kopā ar šo iekārtu mēs akceptējam, var atrast **Hilti Store** vai tīmekļvietnē [www.hilti.group](http://www.hilti.group).

## 9 Ar akumulatoru darbināmo iekārtu transportēšana un uzglabāšana

### Transportēšana

#### IEVĒROT PIESARDZĪBU!

#### Nekontrolēta iedarbošanās transportēšanas laikā !

- ▶ Pirms iekārtu transportēšanas vienmēr izņemiet no tām akumulatorus!
- ▶ Izņemiet akumulatorus.
- ▶ akumulatorus nekādā gadījumā nedrīkst transportēt nostostiprinātā veidā, sabērtus kaudzēs.
- ▶ Pirms atsākt iekārtas un akumulatoru lietošanu pēc ilgākas transportēšanas, pārbaudiet, vai tie nav bojāti.

### Uzglabāšana

#### IEVĒROT PIESARDZĪBU!

#### Neparedzami bojājumi bojātu vai izplūdušu akumulatoru dēļ !

- ▶ Pirms iekārtu novietošanas glabāšanā vienmēr izņemiet no tām akumulatorus!
- ▶ Iekārta un akumulatori jāglabā pēc iespējas vēsā un sausā vietā.
- ▶ Nekādā gadījumā neglabājiet akumulatorus augstā temperatūrā, tiešos saules staros vai aiz stikla.
- ▶ Glabājiet iekārtu un akumulatorus vietā, kas nav pieejama bērniem un nepiederošām personām.
- ▶ Pirms atsākt iekārtas un akumulatoru lietošanu pēc ilgas uzglabāšanas, pārbaudiet, vai tie nav bojāti.

## 10 Traucējumu novēršana

Ja iekārtas darbībā ir radušies traucējumi, kas nav uzskaitīti šajā tabulā vai ko jums neizdodas novērst saviem spēkiem, lūdzu, meklējiet palīdzību mūsu **Hilti** servisā.

### 10.1 Traucējumu diagnostika

Traucējums	Iespējamais iemesls	Risinājums
Akumulators izlādējas ātrāk nekā parasti.	Ļoti zema apkārtējā temperatūra.	▶ Ļaujiet akumulatoram pamazām sasilt līdz istabas temperatūrai.
Akumulators nenofiksējas ar sadzirdamu klikšķi.	Netīri akumulatora fiksācijas izciļņi.	▶ Notīriet fiksācijas mēlītes un nofiksējiet akumulatoru no jauna.
1 LED mirgo. Iekārta nedarbojas.	Akumulators ir izlādējies.	▶ Nomainiet akumulatoru un uzlādējiet tukšo akumulatoru.
	Akumulators ir pārāk auksts vai pārāk karsts.	▶ Ļaujiet akumulatoram pamazām sasilt vai atdzist līdz istabas temperatūrai.
Visas 4 LED mirgo. Iekārta nedarbojas.	Iekārta ir pārslogota.	▶ Atļaidiet vadības slēdži un pēc tam nospiediet to vēlreiz. Pēc tam apm. 30 sekundes darbiniet iekārtu tukšgaitā.
Leņķa slīpmašīna vai akumulators spēcīgi sakarst.	Elektrisks defekts.	▶ Nekavējoties izslēdziet iekārtu, izņemiet akumulatoru no iekārtas, vērojiet to, ļaujiet tam atdzist un vērsieties <b>Hilti</b> servisā.





Traucējums	Iespējamais iemesls	Risinājums
Iekārta nedarbojas ar pilnu jaudu	Ievietots akumulators ar pārāk mazu kapacitāti.	▶ Lietojiet akumulatoru ar pietiekamu kapacitāti.
Nedarbojas motora bremzēšana.	Akumulators ir izlādējies.	▶ Nomainiet akumulatoru un uzlādējiet tukšo akumulatoru.
	Iekārta ir īslaicīgi pārslogota.	▶ Atlaidiet vadības slēdzi un pēc tam nospiediet to vēlreiz.

## 11 Nokalpojušo iekārtu utilizācija

**Hilti** iekārtu izgatavošanā tiek izmantoti galvenokārt otrreiz pārstrādājami materiāli. Priekšnosacījums otrreizējai pārstrādei ir atbilstoša materiālu šķirošana. Daudzās valstīs **Hilti** pieņem nolietotās iekārtas otrreizējai pārstrādei. Lai saņemtu vairāk informācijas, vērsieties **Hilti** servisā vai pie sava pārdošanas konsultanta.

### Akumulatoru utilizācija

Ja akumulatoru utilizācija netiek veikta pareizā veidā, var izplūst kaitīgas gāzes un šķidrums, kas apdraud veselību.

- ▶ Bojātus akumulatorus nav atļauts nosūtīt!
- ▶ Lai nepieļautu īssavienojumus, nosedziet pieslēguma kontaktus ar materiālu, kam nepiemīt elektriskā vadītspēja.
- ▶ Utilizējiet akumulatorus tā, lai tiem nevarētu piekļūt bērni.
- ▶ Nododiet akumulatoru utilizācijai jūs apkalpojošajā **Hilti Store** vai vērsieties pie kompetentā atkritumu apsaimniekošanas uzņēmuma.



- ▶ Neizmetiet elektroiekārtas, elektroniskas ierīces un akumulatorus sadzīves atkritumos!

## 12 RoHS (direktīva par bīstamo vielu izmantošanas ierobežošanu)

Lai apskatītu bīstamo vielu tabulu, izmantojiet šādas saites: [qr.hilti.com/r3958236](http://qr.hilti.com/r3958236).

Saiti uz RoHS tabulu jūs QR koda veidā atradīsiet šīs dokumentācijas beigās.

## 13 Ražotāja garantija

- ▶ Ar jautājumiem par garantijas nosacījumiem, lūdzu, vērsieties pie vietējā **Hilti** partnera.

# Originali naudojimo instrukcija

## 1 Dokumentų duomenys

### 1.1 Apie šią instrukciją

- Prieš pradėdami eksploatuoti, perskaitykite šią instrukciją. Tai yra saugaus darbo ir patikimo naudojimo sąlyga.
- Laikykitės šioje instrukcijoje ir ant prietaiso pateiktų saugos nurodymų ir įspėjimų.
- Šią naudojimo instrukciją visada laikykite kartu su prietaisu, prietaisą kitiems asmenims perduokite tik kartu su šia instrukcija.

### 1.2 Ženklų paaiškinimas

#### 1.2.1 Įspėjantieji nurodymai

Įspėjantieji nurodymai įspėja apie pavojus, gresiančius eksploatuojant prietaisą. Naudojami tokie signaliniai žodžiai:



**PAVOJUS**
**PAVOJUS !**

- ▶ Šis žodis vartojamas norint įspėti apie tiesiogiai gresiantį pavojų, kurio pasekmės yra sunkūs kūno sužalojimai arba žūtis.

**ĮSPĖJIMAS**
**ĮSPĖJIMAS !**

- ▶ Šis žodis vartojamas norint įspėti apie galimai gresiantį pavojų, kurio pasekmės gali būti sunkūs kūno sužalojimai arba žūtis.

**ATSARGIAI**
**ATSARGIAI !**

- ▶ Šis žodis vartojamas potencialiai pavojingai situacijai žymėti, kai yra lengvo kūno sužalojimo arba materialinių nuostolių grėsmė.

**1.2.2 Instrukcijoje naudojami simboliai**

Šioje instrukcijoje naudojami tokie simboliai:

	Prieš naudojant, perskaityti instrukciją
	Naudojimo nurodymai ir kita naudinga informacija
	Rodo, kad juo paženklintą medžiagą galima perdirbti
	Elektrinių prietaisų ir akumuliatorių nemesti į buitinius šiukšlynus

**1.2.3 Iliustracijose naudojami simboliai**

Iliustracijose naudojami šie simboliai:

	Šie skaitmenys nurodo atitinkamą iliustraciją šios instrukcijos pradžioje
3	Numeravimas nurodo darbinių veiksmų eiliškumą paveikslėlyje ir gali skirtis nuo tekste pateikto darbinių veiksmų numeravimo
	2 Pozicijų numeriai naudojami paveikslėlyje <b>Apžvalga</b> – jie nurodo skyrelyje <b>Prietaiso vaizdas</b> esančių paaiškinimų numerius
	Šiuo ženklu siekiama atkreipti ypatingą dėmesį į naudojamą šiuo prietaisu.

**1.3 Specifiniai prietaiso simboliai**
**1.3.1 Simboliai ant prietaiso**

Ant prietaiso gali būti naudojami šie simboliai:

	Dirbant užsidėti apsauginius akinius
n	Nominalusis sukimosi greitis
/min	Apsisukimai per minutę
RPM	Apsisukimai per minutę
	Skersmuo
	Nuolatinė srovė
Li-Ion	Ličio jonų akumuliatorius



	Naudotas <b>HilTI</b> serijos ličio jonų akumulatorius. Atkreipkite dėmesį į duomenis skyrinyje <b>Naudojimas pagal paskirtį</b> .
	Niekada nenaudokite akumulatoriaus kaip smūginio įrankio.
	Saugokite, kad akumulatorius nenukristų. Nenaudokite akumulatoriaus, kuris buvo sutrenktas arba kaip nors kitaip pažeistas.
	Prietaisas palaiko NFC technologiją, suderinamą su „iOS“ ir „Android“ platformomis.

#### 1.4 Informacija apie prietaisą

**HILTI** gaminiai yra skirti profesionalams, todėl juos naudoti, techniškai prižiūrėti ir remontuoti leidžiama tik įgaliotam instruktui personalui. Šis personalas turi būti supažindintas su visais galimais pavojais. Neapmokyto personalo, netinkamai arba ne pagal paskirtį naudojamais prietaisais ir jo reikmenys gali kelti pavojų.

Tipas ir serijos numeris yra nurodyti firminėje duomenų lentelėje.

- ▶ Serijos numerį perkelkite į toliau nurodytą lentelę. Kreipdamiesi su prietaisu susijusiais klausimais į mūsų atstovybę ar techninės priežiūros centrą, visada nurodykite šiuos prietaiso duomenis.

##### Prietaiso duomenys

Kampinis šlifuoכלis	AG 125-A22
Karta	02
Serijos Nr.	

#### 1.5 Atitikties deklaracija

Prisiimdami visą atsakomybę pareiškiame, kad čia yra aprašytas gaminyje atitinka galiojančias direktyvas ir normas. Atitikties deklaracijos kopiją rasite šios instrukcijos gale.

Techninė dokumentacija saugoma čia:

HilTI Entwicklungsgesellschaft mbH | Zulassung Geräte | Hiltistraße 6 | 86916 Kaufering, DE

## 2 Sauga

### 2.1 Saugos nurodymai

#### 2.1.1 Bendrieji saugos nurodymai dirbantiems su elektriniais įrankiais

**⚠ IŠPĖJIMAS! Perskaitykite visus saugos nurodymus ir instrukcijas.** Šių saugos nurodymų ir instrukcijų nesilaikymas gali tapti elektros smūgio, gaisro ir / arba sunkių sužalojimų priežastimi.

Išsaugokite visus saugos nurodymus ir instrukcijas, kad galėtumėte į juos pažvelgti ateityje.

##### Sauga darbo vietoje

- ▶ **Pasirūpinkite, kad darbo vieta visada būtų švari ir gerai apšviesta.** Netvarkinga ar blogai apšviesta darbo vieta gali tapti nelaimingų atsitikimų priežastimi.
- ▶ **Nenaudokite šio elektrinio įrankio sprogyje aplinkoje, kurioje yra degių skysčių, dujų arba dulkių.** Veikiantys elektriniai įrankiai kibirkščiuoja, ir kibirkštys gali uždegti dulkes arba susikaupusius garus.
- ▶ **Dirbdami su elektriniu įrankiu, neleiskite darbo zonoje būti vaikams ir pašaliniam asmenims.** Atitraukę dėmesį nuo darbo, galite nebesuvaldyti prietaiso.

##### Apsauga nuo elektros

- ▶ **Venkite kūno kontakto su žemintais paviršiais, pvz., vamzdžiais, šildytuvais, viryklėmis ir šaldytuvais.** Kai žmogaus kūnas yra žemintas, padidėja elektros smūgio tikimybė.
- ▶ **Saugokite elektrinius įrankius nuo lietaus ir drėgmės.** Į elektrinį įrankį patekus vandens, padidėja elektros smūgio rizika.

##### Žmonių sauga

- ▶ **Dirbdami su elektriniu įrankiu, būkite atidūs, sutelkite dėmesį į darbą ir vadovaukitės sveika nuovoka.** Elektrinio įrankio nenaudokite, jeigu esate pavargę arba apsvaigę nuo narkotinių medžiagų, alkoholio ar vaistų. Neatidumo akimirka dirbant su elektriniu įrankiu gali tapti rimtu sužalojimų priežastimi.



- ▶ **Naudokite asmenines apsaugos priemones ir visuomet užsidėkite apsauginius akinius.** Naudojant asmenines apsaugos priemones, pvz., respiratorių, neslystančius apsauginius batus, apsauginį šalną, ausines ir kt., priklausomai nuo elektrinio įrankio tipo ir naudojimo, mažėja rizika susižaloti.
- ▶ **Saugokitės, kad neįjungtume prietaiso atsitiktinai. Prieš įrankį imdami į rankas, nešdami ar dėdami į jį akumuliatorių, įsitikinkite, kad elektrinis įrankis yra išjungtas.** Jeigu nešdami elektrinį įrankį pirštą laikysite ant jungiklio arba įrankį įjungsitė į elektros tinklą tuomet, kai jungiklis nėra išjungtas, gali įvykti nelaimingas atsitikimas.
- ▶ **Prieš įjungdami elektrinį įrankį, pašalinkite iš jo reguliavimo įrankius ar veržlinius raktus.** Besisukančioje prietaiso dalyje esantis įrankis ar paliktas raktas gali tapti sužalojimų priežastimi.
- ▶ **Venkite nepatogių kūno padėčių. Dirbdami stovėkite tvirtai ir visada išlaikykite kūno pusiausvyrą.** Taip galėsite geriau kontroliuoti elektrinį įrankį netikėtose situacijose.
- ▶ **Vilkėkite tinkamą aprangą. Nevilkėkite plačių drabužių, nesidėkite papuošalų. Saugokite plaukus, drabužius ir pirštines nuo besisukančių prietaiso dalių.** Laisvus drabužius, papuošalus ir ilgus plaukus gali įtraukti besisukančios prietaiso dalys.
- ▶ **Jei yra numatyta galimybė prijungti dulkių nusiurbimo ar surinkimo įrenginius, visada įsitikinkite, kad jie yra prijungti ir tinkamai naudojami.** Naudojant dulkių nusiurbimo įrenginį, gali sumažėti dulkių keliamo grėsmė.

#### Elektrinio įrankio naudojimas ir elgesys su juo

- ▶ **Prietaiso neperkraukite.** Naudokite Jūsų darbui tinkamą elektrinį įrankį. Su tinkamu elektriniu įrankiu dirbsite geriau ir saugiau, jei neviršysite nurodytos galios.
- ▶ **Nenaudokite elektrinio įrankio su sugedusiu jungikliu.** Elektrinis įrankis, kurio nebegalima įjungti ar išjungti, yra pavojingas ir jį reikia remontuoti.
- ▶ **Prieš atlikdami prietaiso nustatymus, keisdami reikmenis ar padėdami prietaisą į šalį, iš jo išimkite akumuliatorių.** Ši atsargumo priemonė leis išvengti netikėto elektrinio įrankio įsijungimo.
- ▶ **Nenaudojamus elektrinius įrankius saugokite vaikams nepasiekiamoje vietoje. Neleiskite prietaisu naudotis asmenims, kurie nėra su juo susipažinę arba nėra perskaitę šios instrukcijos.** Elektriniai įrankiai yra pavojingi, kai juos naudoja patirties neturintys asmenys.
- ▶ **Elektrinius įrankius rūpestingai prižiūrėkite. Tikrinkite, ar judančios elektrinio įrankio dalys tinkamai funkcionuoja ir niekur nekliūva, ar nėra sulūžusių ir pažeistų dalių, kurios blogintų įrankio veikimą. Prieš naudojimą pažeistos prietaiso dalys turi būti suremontuotos.** Blogai prižiūrimi elektriniai įrankiai yra daugelio nelaimingų atsitikimų priežastis.
- ▶ **Pjovimo įrankiai visuomet turi būti aštrūs ir švarūs.** Rūpestingai prižiūrėti pjovimo įrankiai su aštriomis pjovimo briaunomis mažiau stringa ir yra lengviau valdomi.
- ▶ **Elektrinį įrankį, reikmenis, keičiamuosius įrankius ir t. t. naudokite pagal šias instrukcijas. Taip pat atsižvelkite į darbo sąlygas ir atliekamo darbo pobūdį.** Elektrinius įrankius naudojant ne pagal paskirtį, gali kilti pavojingos situacijos.

#### Akumuliatorinio įrankio naudojimas ir elgesys su juo

- ▶ **Akumuliatoriams įkrauti naudokite tik tuos kroviklius, kuriuos rekomenduoja gamintojas.** Kroviklį, tinkantį tik nurodytiems akumuliatorių tipams, naudojant kitiems akumuliatoriams įkrauti, kyla gaisro pavojus.
- ▶ **Elektriniuose įrankiuose naudokite tik konkrečiai jiems skirtus akumuliatorius.** Naudojant kitokius akumuliatorius, kyla pavojus susižaloti ir sukelti gaisrą.
- ▶ **Nenaudojamo akumuliatoriaus nelaikykite šalia sąvarželių, monetų, raktų, vinių, varžtų ar kitokių smulkių metalinių daiktų, kurie galėtų trumpai sujungti akumuliatoriaus kontaktus.** Trumpai sujungus akumuliatoriaus kontaktus, yra pavojus nusidėginti ar sukelti gaisrą.
- ▶ **Akumuliatorių naudojant netinkamai, iš jo gali ištėkėti skystis. Venkite kontakto su šiuo skysčiu.** Akumuliatoriaus skystis gali sudirginti arba chemiškai nudeginti odą. Jei skysčio atsitiktinai pateko ant odos, nuplaukite jį vandeniu. Jei pateko į akis – gerai praplaukite jas vandeniu ir nedelsdami kreipkitės į gydytoją.

#### Techninė priežiūra

- ▶ **Savo elektrinį įrankį patikėkite remontuoti tik kvalifikuotam specialistui, tam jis turi naudoti tik originalias atsargines dalis.** Taip galima užtikrinti, kad bus išlaikytas elektrinio įrankio naudojimo saugumas.

#### 2.1.2 Bendrieji saugos nurodymai, vykdant šlifavimo, šlifavimo švitrinu popieriumi darbus, naudojant vielinius šepečius, poliruojant ir vykdant abrazyvinį pjaustymą:

- ▶ **Šis elektrinis įrankis turi būti naudojamas kaip šlifuoκlis ir kaip abrazyvinio pjaustymo mašina. Atkreipkite dėmesį į visus saugos nurodymus, instrukcijas, iliustracijas ir duomenis, kuriuos gaunate kartu su prietaisu.** Šių nurodymų nepaisant, kyla elektros smūgio, gaisro ir / arba sunkių sužalojimų pavojus.



- ▶ Šis elektrinis įrankis netinka šlifavimui švitrinu popieriumi, darbams su vieliniais šepetiais ir poliravimui. Ne pagal paskirtį naudojamas elektrinis įrankis gali kelti įvairią grėsmę ir sužaloti žmones.
- ▶ **Nenaudokite reikmenų, kurių šiam elektriniam įrankiui specialiai nenumatė ir nerekomendavo gamintojas.** Vien tai, kad prie Jūsų elektrinio įrankio galima pritvirtinti reikmenį, negarantuoja jo saugaus naudojimo.
- ▶ **Keičiamojo įrankio leistinas sukimosi greitis turi būti bent jau ne mažesnis už ant elektrinio įrankio nurodytą didžiausią sukimosi greitį.** Reikmuo, kuris sukasi greičiau nei leistina, gali trūkti ir pasklisti į šalis.
- ▶ **Keičiamojo įrankio išorinis skersmuo ir storis turi atitikti elektrinio įrankio duomenis.** Netinkamų matmenų keičiamųjų įrankių negalima pakankamai apsaugoti ir kontroliuoti.
- ▶ **Keičiamieji įrankiai su srieginiu įdėklu turi tiksliai atitikti šlifavimo mašinos veleno sriegį.** Kai keičiamieji įrankiai montuojami naudojant jungę, įrankio skylės skersmuo turi atitikti jungės tvirtinimo vietos skersmenį. Elektriniame įrankyje netinkamai įtvirtinti keičiamieji įrankiai sukasi netolygiai, stipriai vibruoja, todėl naudotojas gali elektrinio įrankio nebesuvaldyti.
- ▶ **Nenaudokite sugadintų keičiamųjų įrankių.** Prieš kiekvieną keičiamojo įrankio, pavyzdžiui, šlifavimo disko arba šlifavimo lėkštės naudojimą patikrinkite, ar jie nenuskilę ir neįtrūkę, nėra sudilę arba smarkiai susidėvėję, taip pat patikrinkite, ar vielinių šepetčių vielos nėra atspalaidavusios ar sulūžusios. Jei elektrinis įrankis arba keičiamasis įrankis nukrito, patikrinkite, ar jis nepažeistas arba naudokite nepažeistą keičiamąjį įrankį. Patikrinę ir sumontavę keičiamąjį įrankį, leiskite prietaisui vieną minutę sukis maksimaliu greičiu; tuo metu nestovėkite patys ir neleiskite būti kitiems asmenims besisukančio keičiamojo įrankio plokštumoje. Pažeisti keičiamieji įrankiai paprastai trūksta būtent šiuo laikotarpiu.
- ▶ **Naudokite asmenines apsaugos priemones. Priklausomai nuo naudojimo pobūdžio, užsidėkite veidą saugančią kaukę, akių apsaugos priemonę arba apsauginius akinius. Naudokite respiratorių, ausines, apsaugines pirštines arba specialią prijuostę, apsaugančią nuo šlifuojant atskylančių mažų medžiagos dalelių.** Akyrai turi būti apsaugotos nuo skriejančių svetimkūnių, kurių būna prietaisu vykdant bet kokius darbus. Dulkių kaukės ar respiratoriai turi filtruoti dirbant kylančias dulkes. Ilgą laiką dirbdami triukšmingoje aplinkoje, galite pakenkti klausai.
- ▶ **Atkreipkite dėmesį, kad kiti asmenys būtų saugiu atstumu nutolę nuo Jūsų darbo zonos. Kiekvienas į darbo zoną įžengiantis asmuo turi būti užsidėjęs asmenines apsaugos priemones.** Ruošinio dalelės arba sulūžusio keičiamojo įrankio nuolaužos gali būti išsviestos tolyn ir sužaloti žmones, esančius už darbo zonos ribų.
- ▶ **Jeigu vykdant darbus keičiamasis įrankis gali paliesti paslėptus elektros laidus, elektrinį įrankį laikykite tik paėmę už izoliuotų rankenų paviršių.** Dėl kontakto su laidais, kuriais teka elektros srovė, metalinėse prietaiso dalyse taip pat gali atsirasti įtampa, todėl kyla elektros smūgio pavojus.
- ▶ **Prietaiso elektros maitinimo kabelį saugokite nuo besisukančių keičiamųjų įrankių.** Jei prietaisas tampa nebevaldomas, keičiamasis įrankis gali perpjauti arba pagriebti maitinimo kabelį, o Jūsų ranką ar plaštaką trūkteleti besisukančio įrankio link.
- ▶ **Nedėkite elektrinio įrankio ant žemės ar kito paviršiaus tol, kol keičiamasis įrankis visiškai nesustos.** Besisukantis keičiamasis įrankis gali paliesti atraminį paviršių, todėl elektrinio įrankio galite nebesuvaldyti.
- ▶ **Išjunkite elektrinį įrankį, kai jį nešate iš vienos vietos į kitą.** Besisukantis keičiamasis įrankis gali pagriebti Jūsų drabužius ir sužaloti Jūsų kūną.
- ▶ **Reguliariai valykite elektrinio įrankio vėdinimo plyšius.** Variklio ventiliatorius įsurbia į prietaiso korpusą dulkių; dėl per didelių metalo dulkių sankaupų prietaisas gali tapti elektriškai nesaugus.
- ▶ **Nenaudokite elektrinio įrankio netoli degių medžiagų.** Kibirkštys gali uždegti šias medžiagas.
- ▶ **Nenaudokite keičiamųjų įrankių, kuriuos reikia aušinti aušinimo skysčiais.** Naudojant vandenį arba kitus aušinimo skysčius, kyla elektros smūgio pavojus.

#### **Atatranka ir atitinkami saugos nurodymai**

Atatranka yra staigi prietaiso reakcija į besisukančio keičiamojo įrankio, kaip šlifavimo disko, šlifavimo lėkštės, vielinio šepetio ir t. t. įstrigimą arba užsiblokavimą. Dėl strigimo arba blokavimo besisukantis keičiamasis įrankis staiga sustoja. Todėl nevaldomas elektrinis įrankis blokavimo vietoje pajuda priešinga keičiamojo įrankio sukimuisi kryptimi.

Jei šlifavimo diskas ruošinyje įstringa arba užsiblokuoja, ruošinyje esanti disko briauna gali pakrypti ir lūžti arba sukelti atatranką. Tada šlifavimo diskas ima judėti nuo naudotojo arba jo link, priklausomai nuo disko sukimosi krypties blokavimo vietoje. Tokiu atveju šlifavimo diskas taip pat gali trūkti.

Atatrankos jėga atsiranda dėl netinkamo elektrinio įrankio naudojimo. Jos galima išvengti naudojant tinkamas, toliau aprašomas atsargumo priemones.

- ▶ **Elektrinį įrankį laikykite tvirtai; Jūsų kūnas ir rankos turi būti tokioje padėtyje, kad atliaktumėte atatrankos jėgas.** Jei yra, visuomet naudokite papildomą rankeną, kad galėtumėte užtikrintai



kontroliuoti atatranks jėgas ar reakcijos momentą prietaiso variklio paleidimo metu. Naudotojas gali valdyti atatranks ir reakcijos jėgas, jei naudoja reikiamas atsargumo priemones.

- ▶ **Prie besisukančio keičiamoją įrankio niekada neikiškite rankos.** Atatranks metu keičiamasis įrankis gali sužaloti Jūsų ranką.
- ▶ **Nebūkite tokioje vietoje, į kurią elektrinis įrankis pajudėtų atatranks metu.** Atatranks jėga stumia elektrinį įrankį priešinga šlifavimo disko sukimosi blokavimo taške kryptimi.
- ▶ **Ypač atsargiai dirbkite kampuose, ties aštriomis briaunomis ir t. t. Saugokite, kad keičiamasis įrankis neatšoktų nuo ruošinio ir neįstrigtų.** Besisukantis keičiamasis įrankis paprastai stringa apdirbant kampus, aštrias briaunas arba nuo jų nuslydęs. Dėl to prietaisas gali tapti nebevaldomas arba gali kilti atatranka.
- ▶ **Nenaudokite grandininio arba dantyto pjovimo disko.** Dėl tokių keičiamųjų įrankių dažnai atsiranda atatranks jėga arba elektrinis įrankis tampa nebevaldomas.

### Specialūs saugos nurodymai vykdantiems šlifavimo ir abrazyvinio pjaustymo darbus

- ▶ **Naudokite tik Jūsų elektriniam įrankiui aprobuotus šlifavimo diskus ir jiems skirtą apsauginį gaubtą.** Jei naudojami elektriniam įrankiui netinkantys šlifavimo diskai, gaubtas negali jų pakankamai apsaugoti.
- ▶ **Profiliuoti šlifavimo diskai turi būti montuojami taip, kad jų šlifuojantis paviršius neišsikištų už apsauginio gaubto krašto.** Netinkamai sumontuoto, už apsauginio gaubto krašto išsikišusio šlifavimo disko neįmanoma tinkamai apsaugoti gaubtu.
- ▶ **Apsauginis gaubtas turi būti patikimai pritvirtintas prie elektrinio įrankio ir, siekiant maksimalaus saugumo, nustatytas taip, kad kiek galima mažesnė neapsaugoto šlifavimo įrankio dalis būtų atsukta į naudotoją.** Apsauginis gaubtas padeda apsaugoti naudotoją nuo nuolaužų, netyčinio prisilietimo prie šlifavimo disko ir kibirkščių, kurios gali uždegti drabužius.
- ▶ **Šlifavimo diskai turi būti naudojami tik rekomenduojamiems darbams vykdyti. Pavyzdžiui, niekada nešlifaukite pjaustymo disko šoniniu paviršiumi.** Pjaustymo diskai yra skirti medžiagai perpjauti disko briauna. Šoninės jėgos tokį šlifavimo diską gali sulaužyti.
- ▶ **Pasirinktam šlifavimo diskui visada naudokite nepažeistas tinkamo dydžio ir formos fiksavimo junges.** Tinkamos jungės atremia šlifavimo diską ir dėl to sumažėja šlifavimo disko lūžimo tikimybė. Pjaustymo diskų jungės gali skirtis nuo jungių, skirtų kitiems šlifavimo diskams.
- ▶ **Nenaudokite sudilusių šlifavimo diskų, skirtų didesniems elektriniams įrankiams.** Didesnių elektrinių įrankių šlifavimo diskų leistinas sukimosi greitis yra mažesnis už mažesnių elektrinių įrankių sukimosi greitį, todėl tokie diskai gali trūkti.

### Kiti specialūs saugos nurodymai vykdantiems abrazyvinio pjaustymo darbus

- ▶ **Saugokite pjaustymo diską nuo užsiblokavimo arba per didelės spaudimo jėgos. Nepjaukite per giliai.** Perkrautas pjaustymo diskas gali deformuotis arba užsiblokuoti, gali atsirasti atatranks jėga arba diskas gali sulūžti.
- ▶ **Venkite būti zonose prieš besisukančią pjaustymo diską ir už jo.** Jei ruošinyje pjaustymo diską stumiate nuo savęs, atatranks atveju elektrinis įrankis kartu su besisukančiu disku gali būti išmestas Jūsų link.
- ▶ **Jei pjaustymo diskas stringa arba nutraukiate darbą, išjunkite prietaisą ir ramiai palaukite, kol diskas visiškai sustos. Niekada nebandykite dar tebesisukančio pjaustymo disko ištraukti iš pjūvio, nes galite sukelti atatranką.** Nustatykite ir pašalinkite disko strigimo priežastis.
- ▶ **Elektrinio įrankio vėl neįjunkite tol, kol diskas yra ruošinyje. Leiskite pjaustymo diskui pasiekti darbinį sukimosi greitį ir tik tada atsargiai tęskite pjovimą.** Priešingu atveju diskas gali užsikabinti, iššokti iš ruošinio ar sukelti atatranką.
- ▶ **Plokštes arba didelių matmenų ruošinius atremkite, kad, užstrigus pjaustymo diskui, sumažėtų atatranks tikimybė.** Dideli ruošiniai dėl savo svorio gali įlįnti. Ruošinį reikia paremti iš abiejų disko pusių, tiek ties pjovimo plyšiu, tiek ir kraštuose.
- ▶ **Būkite ypač atsargūs vykdydami įleidžiamuosius pjūvius sienose arba kitose blogai matomose vietose.** Pjaustymo diskai gali įsispjauti į dujų ar vandentiekio vamzdžius, elektros laidus ar kitus objektus, kurie gali sukelti atatranką.

### 2.1.3 Papildomi saugos nurodymai

#### Žmonių sauga

- ▶ Prietaisą naudokite tik tada, kai jis yra techniškai tvarkingas.
- ▶ Prietaisą draudžiama keisti ar kitaip juo manipuliuoti.
- ▶ Venkite liesti besisukančias prietaiso dalis – susižalojimo pavojus!
- ▶ Apsaugines pirštines mūvėkite ir keisdami įrankį. Liesdami keičiamąjį įrankį, galite susipjaustyti ir nusideginti rankas.
- ▶ Prieš pradėdami dirbti, nustatykite darbo metu kilsiančių dulkių kenksmingumo klasę. Naudokite licencijuotą statybinį dulkių siurbį, atitinkantį apsaugos klasę pagal vietoje galiojančias apsaugos nuo dulkių normas. Tam tikrų medžiagų, pvz., dažų, kuriuose yra švino junginių, kai kurių medienos rūšių,



betono / mūro / akmens, kuriuose yra kvarco ir kitų mineralų, taip pat metalo dulksės gali būti sveikatai kenksmingos.

- ▶ Pasirūpinkite, kad darbo vieta būtų gerai vėdinama, ir, jeigu reikia, užsidėkite atitinkamoms dulksėms skirtą kvėpavimo takus saugančią kaukę. Liečiamos ar įkvėptos tokios dulksės darbuotojui ar arti jo esantiems asmenims gali sukelti alergines reakcijas ir / arba kvėpavimo takų susirgimus. Ažuolo arba buko medienos dulksės gali sukelti vėžinius susirgimus, ypač tada, kai buvo naudojami priedai medienai apdoroti (chromatai, medienos konservantai). Medžiagas, kuriose yra asbesto, leidžiama apdoroti tik specialistams.
- ▶ Dirbdami darykite pertraukas ir atpalaidavimo pratimus pirštams, kad pagerėtų kraujotaka. Dirbant ilgesnį laiką, vibracijos gali sukelti pirštų, plaštakos ar riešo sąnario kraujagyslių ar nervų sistemos pažeidimus.

#### **Apsauga nuo elektros**

- ▶ Prieš pradėdami dirbti, patikrinkite, ar darbo zonoje nėra paslėptų elektros laidų, dujų ar vandentiekio vamzdžių. Netyčia pažeidus elektros kabelį, išorinėse metalinėse prietaiso dalyse gali atsirasti įtampa, kelianti elektros smūgio pavojų.

#### **Atsargus elektrinių įrankių naudojimas ir elgesys su jais**

- ▶ Abrazyvinio pjaustymo diskų nenaudokite grubiajam šlifavimui.
- ▶ Keičiamąjį įrankį ir jungę tvirtai priveržkite. Jeigu keičiamasis įrankis ir jungė bus nepakankamai stipriai priveržti, kils pavojus, kad, prietaisą išjungus ir stabdant varikliu, keičiamasis įrankis atsilaisvins nuo veleno.
- ▶ Laikykitės gamintojo nurodymų dėl šlifavimo diskų naudojimo ir saugojimo.

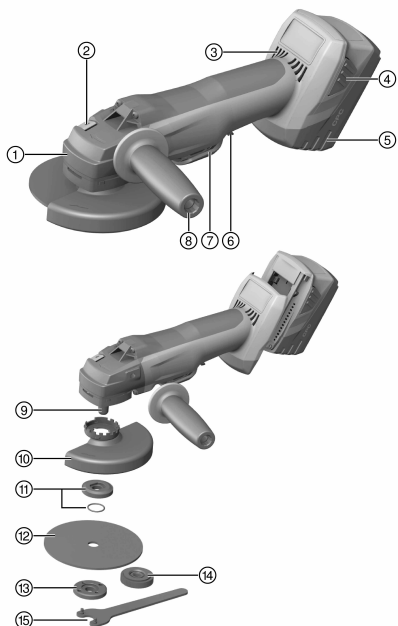
#### **2.1.4 Su akumuliatoriais elgtis atsargiai**

- ▶ Laikykitės Li-Ion akumuliatorių specialiųjų transportavimo, sandėliavimo ir naudojimo direktyvų.
- ▶ Akumuliatorius saugokite nuo aukštos temperatūros, tiesioginių saulės spindulių ir ugnies.
- ▶ Akumuliatorius draudžiama ardyti, spausti, kaitinti iki aukštesnės kaip 80 °C temperatūros arba deginti.
- ▶ Nenaudokite ir neįkraukite akumuliatorių, kurie buvo patyrę smūgi, kritę iš didesnio kaip vieno metro aukščio ar yra kitokiu būdu pažeisti. Tokiu atveju visada kreipkitės į savo **Hilti techninės priežiūros centrą**.
- ▶ Jeigu į rankas paimtas akumuliatorius atrodo karštas, jis gali būti sugedęs. Prietaisą padėkite nedegioje vietoje toliau nuo degių medžiagų ir, nuolat stebėdami, leiskite atvėsti. Tokiu atveju visada kreipkitės į savo **Hilti techninės priežiūros centrą**.



### 3 Aprašymas

#### 3.1 Prietaiso vaizdas



- ① Gaubto atblokavimo mygtukas
- ② Veleno fiksavimo mygtukas
- ③ Vėdinimo plyšiai
- ④ Atblokavimo mygtukas su papildoma įkrovos lygio indikacijos suaktyvinimo funkcija
- ⑤ Akumuliatorius
- ⑥ Įjungimo blokatorius
- ⑦ Jungiklis
- ⑧ Vibraciją slopinanti šoninė rankena
- ⑨ Velenas
- ⑩ Standartinis apsauginis gaubtas
- ⑪ Fiksavimo jungė su apvalaus skerspjūvio tarpikliai
- ⑫ Abrazyvinio pjaustymo diskas / grubaus šlifavimo diskas
- ⑬ Fiksavimo veržlė
- ⑭ Greitojo fiksavimo veržlė **Kwik lock** (užsakoma papildomai)
- ⑮ Priveržimo raktas

#### 3.2 Naudojimas pagal paskirtį

Aprašytasis prietaisas yra rankinis akumuliatorinis kampinis šlifukoilis. Jis yra skirtas metalo ir mineralinių gamybinių medžiagų abrazyviniam pjaustymui bei grubiajam šlifavimui, taip pat apdailos plytelių grėžimui, nenaudojant vandens. Jį leidžiama naudoti tik sausajam šlifavimui ir sausajam pjaustymui.

- Prietaisą naudoti mineralinių gamybinių medžiagų abrazyviniam pjaustymui, griovelių pjovimui ir grubiajam šlifavimui leidžiama tik kartu su atitinkamu apsauginiu gaubtu (užsakomas papildomai).
  - Apdirbant mineralines medžiagas, pavyzdžiui, betoną arba akmenį, naudoti suderintos sistemos dulkių nusiurbimo gaubtą su tinkamu **Hilti** dulkių siurbliu.
- Su šiuo prietaisu naudokite tik B 22 serijos **Hilti** Li-Ion akumuliatorius.
- Šiems akumuliatoriams įkrauti naudokite tik C4/36 serijos **Hilti** kroviklius.

#### 3.3 Tiekiamas komplektas

Kampinis šlifukoilis, šoninė rankena, standartinis apsauginis gaubtas, priekinis dangtis, fiksavimo jungė, fiksavimo veržlė, priveržimo raktas, naudojimo instrukcija.

Daugiau Jūsų turimų prietaisui skirtų sisteminių reikmenų rasite vietinėje **Hilti Store** arba tinklalapyje [www.hilti.group](http://www.hilti.group)

#### 3.4 Prietaiso šiluminė apsauga

Variklio šiluminis apsauginis išjungiklis kontroliuoja vartojamos srovės dydį ir variklio įšilimą, taip saugodamas prietaisą nuo perkaitimo.

Variklį perkrovus per didelę spaudimo jėgą, prietaiso galia pastebimai sumažėja, variklis gali netgi visiškai sustoti.

Jeigu dėl perkrovos diskas sustojo arba sumažėjo jo sukimosi greitis, reikia sumažinti disko spaudimo jėgą ir leisti prietaisui maždaug 30 sekundžių sukintis tuščiosios eigos greičiu.





### 3.5 Apsauginis gaubtas su priekiniu dangčiu 2

Metalinius ruošinius šlifuojant tiesiais grubaus šlifavimo diskais ir pjaustant abrazyvinio pjaustymo diskais, reikia naudoti standartinį apsauginį gaubtą su priekiniu dangčiu.

### 3.6 Kompaktinis dulkių gaudymo gaubtas (pjaustymui) DC-EX 125/5" C (reikmuo) 3

Deimantiniais abrazyvinio pjaustymo diskais pjaustant mineralines medžiagas, reikia naudoti kompaktinį gaubtą DC-EX 125/5" C.

**ATSARGIAI** Apdorojant metalą, šį gaubtą naudoti draudžiama.

### 3.7 Dulkių gaudymo gaubtas (šlifavimui) DG-EX 125/5" (reikmuo) 4

Ši šlifavimo sistema tinka tik retai pasitaikančiam mineralinių medžiagų šlifavimui deimantiniais taurės formos šlifavimo diskais.

**ATSARGIAI!** Apdorojant metalą, šį gaubtą naudoti draudžiama.

### 3.8 Li-Ion akumuliatoriaus įkrovos lygio indikacija

Li-Ion akumuliatoriaus įkrovos lygis rodomas paspaudus vieną iš dviejų akumuliatoriaus atblokavimo mygtukų.

Būsena	Reikšmė
Šviečia 4 diodai.	Įkrovos lygis: nuo 75 iki 100 %
Šviečia 3 diodai.	Įkrovos lygis: nuo 50 iki 75 %
Šviečia 2 diodai.	Įkrovos lygis: nuo 25 iki 50 %
Šviečia 1 diodas.	Įkrovos lygis: nuo 10 iki 25 %
1 šviesos diodas mirksi.	Įkrovos lygis: < 10 %



Dirbant ir iškart po darbo įkrovos lygio įvertinti negalima. Mirksint akumuliatoriaus įkrovos lygio indikatorius šviesos diodams, laikykitės skyriuje „Pagalba sutrikus veikimui“ pateiktų nurodymų.

## 4 Eksploatacinės medžiagos

Leidžiama naudoti tik sintetine derva surištus stiklopluoštinius maks. Ø 125 mm diskus, kurių leistinas sukimosi greitis yra ne mažesnis kaip 11 000 1/min, o leistinas apskritiminis greitis 80 m/s.

Maksimalus leistinas storis: grubaus šlifavimo diskų 6,4 mm, abrazyvinio pjaustymo diskų 3 mm.

**DĖMESIO!** Pjaustydami ir pjaudami griovelius abrazyvinio pjaustymo diskais, visada naudokite standartinį apsauginį gaubtą su papildomu priekiniu dangčiu arba visiškai uždara dulkių gaudymo gaubtą.

### Diskai

	Naudojimas	Sutartiniai ženklai	Pagrindas (apdirbamas paviršius, medžiaga)
Abrazyvinio pjaustymo diskas	Abrazyvinis pjaustymas, griovelių pjovimas	AC-D	Metalas
Deimantinis pjaustymo diskas	Abrazyvinis pjaustymas, griovelių pjovimas	DC-TP, DC-D (SPX, SP, P)	Mineralinės medžiagos
Abrazyvinis grubaus šlifavimo diskas	Grubusis šlifavimas	AG-D, AF-D, AN-D	Metalas
Deimantinis grubaus šlifavimo diskas	Grubusis šlifavimas	DG-CW (SPX, SP, P)	Mineralinės medžiagos
Deimantinė gręžimo karūna	Apdailos plytelių gręžimas	DD-M14	Mineralinės medžiagos

### Diskų priskyrimas naudojamai įrangai

Poz.	Įranga	AC-D	AG-D	AF-D	AN-D	DG-CW	DC-D	DD-M14
A	Apsauginis gaubtas	X	X	X	X	X	X	X



Poz.	Įranga	AC-D	AG-D	AF-D	AN-D	DG-CW	DC-D	DD-M14
B	Priekinis dangtis (dirbant su A)	X	—	—	—	—	X	—
C	Dulkių gaudymo gaubtas (šlifavimui) DG-EX 125/5"	—	—	—	—	X	—	—
D	Dulkių gaudymo gaubtas (pjaustymui) DC-EX 125/5"C (dirbant su A)	—	—	—	—	—	X	—
E	Šoninė rankena	X	X	X	X	X	X	X
F	Lanko formos rankena DCBG 125 (papildomai užsakoma prie E)	X	X	X	X	X	X	X
G	Fiksavimo veržlė	X	X	X	X	X	X	—
H	Fiksavimo jungė	X	X	X	X	X	X	—
I	<b>Kwik lock</b> (papildomai užsakoma prie G)	X	X	X	X	—	X	—

## 5 Techniniai duomenys

	AG 125-A22
Nominalioji maitinimo įtampa	21,6 V
Nominalusis sukimosi greitis	9 500 aps./min.
Maksimalus disko skersmuo	125 mm
Svoris pagal EPTA Procedure 01 su akumulatoriumi B22/8.0	3,3 kg
Pavaros veleno sriegis	M14
Veleno ilgis	22 mm

### 5.1 Informacija apie triukšmą ir vibracijos reikšmės pagal EN 60745

Šiuose nurodymuose pateiktos garso slėgio ir vibracijos reikšmės yra išmatuotos taikant standartizuotą matavimo metodą ir gali būti naudojamos elektriniams įrankiams palyginti tarpusavyje. Jos taip pat tinka šių veiksmų poveikiui iš anksto įvertinti. Nurodytieji duomenys yra susieti su pagrindinėmis šio elektrinio įrankio naudojimo sritimis. Jeigu elektrinis įrankis bus naudojamas kitaip, su skirtingais keičiamaisiais įrankiais arba bus nepakankamai techniškai prižiūrimas, šie duomenys gali skirtis nuo nurodytųjų. Tai gali gerokai padidinti šių veiksmų poveikį per visą darbo laikotarpį. Norint tiksliai įvertinti poveikį, reikėtų įvertinti ir laiką, kai prietaisais yra išjungtas, arba, nors ir įjungtas, juo faktiškai nedirbama. Toks įvertinimas gali smarkiai sumažinti poveikio per visą darbo laikotarpį reikšmę. Imkitės papildomų saugos priemonių, kad darbuotojas būtų apsaugotas nuo triukšmo ir / arba vibracijos poveikio, pavyzdžiui, reikalaukite tinkamos elektrinio įrankio ir keičiamųjų įrankių techninės priežiūros, pasirūpinkite, kad darbuotojų rankos visada būtų šiltos, užtikrinkite tinkamą darbo organizavimą.

#### Informacija apie triukšmą

Skleidžiamo garso slėgio lygis ( $L_{pA}$ )	83 dB(A)
Garso slėgio lygio paklaida ( $K_{pA}$ )	3 dB(A)
Garso stiprumo lygis ( $L_{wA}$ )	94 dB(A)
Garso stiprumo lygio paklaida ( $K_{wA}$ )	3 dB(A)

#### Informacija apie vibraciją

Naudojant kitiems darbams, pvz., pjaustyti, vibracijos reikšmės gali būti kitokios.

Paviršių šlifavimas su vibraciją slopinančia rankena ( $a_{h,AG}$ )	3,8 m/s <sup>2</sup>
Paklaida (K)	1,5 m/s <sup>2</sup>

### 5.2 Akumulatorius

Akumulatoriaus darbinė įtampa	21,6 V
Darbinė aplinkos temperatūra	-17 °C ... 60 °C



Laikymo temperatūra	-20 °C ... 40 °C
Akumuliatoriaus temperatūra, kai pradedama įkrauti	-10 °C ... 45 °C

## 6 Eksploatavimo pradžia

### 6.1 Akumuliatoriaus įdėjimas

#### **ATSARGIAI**

**Sužalojimo pavojus.** Pavojų kelia atsitiktinis kampinio šlifuko kolo paleidimas.

- ▶ Prieš įstatydami akumuliatorių, įsitikinkite, kad kampinis šlifuko kolas yra išjungtas, o jo įjungimo blokatorius yra suaktyvintas.

#### **ATSARGIAI**

**Elektros srovės keliamas pavojus.** Dėl užterštų kontaktų gali įvykti trumpasis jungimas.

- ▶ Prieš įdėdami akumuliatorių, įsitikinkite, kad akumuliatoriaus ir kampinio šlifuko kolo kontaktuose nėra pašalinių daiktų.

#### **ATSARGIAI**

**Sužalojimo pavojus.** Netinkamai įdėtas akumuliatorius dirbant gali iškristi / nukristi.

- ▶ Kad akumuliatorius nekristų ir nesužalotų žmonių, nuolat tikrinkite, ar jis patikimai laikosi prietaise.
- ▶ Įdėkite akumuliatorių ir patikrinkite, ar jis patikimai užfiksuotas prietaise.

### 6.2 Akumuliatoriaus išėmimas

- ▶ Išimkite akumuliatorių.

### 6.3 Šoninės rankenos montavimas

- ▶ Šoninę rankeną įsukite į vieną iš jai skirtų srieginių įvorių.

### 6.4 Apsauginio gaubto montavimas arba išmontavimas

#### **ATSARGIAI**

**Sužalojimo pavojus.** Keičiamasis įrankis gali būti karštas arba turėti aštrias briaunas.

- ▶ Montuodami, išmontuodami, vykdydami nustatymo darbus ir šalinami sutrikimus, mūvėkite apsaugines pirštines.
- ▶ Laikykitės atitinkamo gaubto montavimo instrukcijos.

#### 6.4.1 Apsauginio gaubto montavimas



Apsauginiame gaubte yra kodavimo kumšteliai, kurie užtikrina, kad prie prietaiso bus montuojamas tinkamas apsauginis gaubtas. Apsauginį gaubtą su jo kodavimo kumšteliais galima įstatyti į prietaiso gaubto kreipiančiąsias.

1. Apsauginį gaubtą uždėkite ant veleno kaklelio taip, kad trikampių simboliai ant prietaiso ir apsauginio gaubto būtų vienas priešais kitą.
2. Apsauginį gaubtą užstumkite ant veleno kaklelio.
3. Spauskite gaubto atblokavimo mygtuką.
4. Apsauginį gaubtą sukite tol, kol užsifiksuos, o gaubto atblokavimo mygtukas atšoks.

#### 6.4.2 Apsauginio gaubto perstatymas

- ▶ Paspauskite gaubto atblokavimo mygtuką ir sukite apsauginį gaubtą į norimą padėtį, kol užsifiksuos.

#### 6.4.3 Apsauginio gaubto išmontavimas

1. Paspauskite gaubto atblokavimo mygtuką ir sukite apsauginį gaubtą tol, kol abu trikampių simboliai ant prietaiso ir apsauginio gaubto bus vienas priešais kitą.
2. Nuimkite apsauginį gaubtą.



## 6.5 Priekinio dangčio montavimas arba išmontavimas



Kai dirbant bus naudojamas priekinis dangtis, jis uždedamas ant apsauginio gaubto.

1. Priekinį dangtį uždaraja puse dėkite ant standartinio apsauginio gaubto, kol užsifiksuos.
2. Norėdami išmontuoti, atidarykite priekinio dangčio fiksatorių ir dangtį nuimkite nuo standartinio apsauginio gaubto.

## 6.6 Dulkių gaudymo gaubto (pjaustymui) DC-EX 125/5°C padėties nustatymas

- ▶ Nustatykite tokią kompaktinio gaubto padėtį, kad jungiklis bet kuriuo metu būtų laisvai pasiekiamas ir jį būtų galima valdyti.

## 6.7 Keičiamųjų įrankių montavimas arba išmontavimas

### **ATSARGIAI**

**Sužalojimo pavojus.** Keičiamasis įrankis gali būti karštas.

- ▶ Keisdami keičiamąjį įrankį, mūvėkite apsaugines pirštines.



Deimantiniai diskai turi būti keičiami tada, kai pastebimai sumažėja jų pjovimo geba ir atitinkamai šlifavimo našumas. Paprastai taip atsitinka kai deimantinių segmentų aukštis tampa mažesnis kaip 2 mm.

Kitų tipų diskai turi būti keičiami tada, kai pastebimai sumažėja jų pjovimo našumas arba kai kampinio šlifuko elemento (išskyrus diską) dirbant ima liesti apdirbamą medžiagą.

Abrazyviniai diskai turi būti keičiami ir pasibaigus jų galiojimo terminui.

### 6.7.1 Keičiamojo įrankio įdėjimas

1. Išimkite akumuliatorių. → psl. 109
2. Patikrinkite, ar fiksavimo jungėje yra apvalaus skerspjuvio tarpiklis ir ar jis nėra pažeistas.

#### **Rezultatas**

Apvalaus skerspjuvio tarpiklis yra pažeistas.

Fiksavimo jungėje nėra apvalaus skerspjuvio tarpiklio.

- ▶ Naudokite naują fiksavimo jungę su apvalaus skerspjuvio tarpikliu.
3. Fiksavimo jungę uždėkite ant veleno taip, kad sutaptų su montavimo vietos geometrine forma ir neprasisuktų.
  4. Uždėkite keičiamąjį įrankį.

### **ISPĖJIMAS**

**Sužalojimo pavojus.** Stabdant prietaiso variklį, gali atsilaisvinti keičiamasis įrankis.

- ▶ Prieš liesdami keičiamąjį įrankį arba fiksavimo veržlę, palaukite, kol keičiamasis įrankis visiškai sustos.
  - ▶ Keičiamąjį įrankį ir fiksavimo jungę fiksavimo veržlę priveržkite tvirtai, kad, stabdant prietaiso variklį, nuo veleno negalėtų atsilaisvinti jokie elementai.
5. Priklausomai nuo uždėto keičiamojo įrankio, priveržkite fiksavimo veržlę.
  6. Laikykite nuspaudę veleno fiksavimo mygtuką.
  7. Specialiuoju priveržimo raktu priveržkite fiksavimo veržlę, atleiskite veleno blokavimo mygtuką, tada priveržimo raktą nuimkite.

### 6.7.2 Keičiamojo įrankio išėmimas

1. Išimkite akumuliatorių. → psl. 109

### **ATSARGIAI**

**Lūžimo ir sugadinimo pavojus.** Jei veleno fiksavimo mygtukas paspaudžiamas velenui sukantis, keičiamasis įrankis gali atsilaisvinti.

- ▶ Veleno fiksavimo mygtuką spauskite tik tada, kai velenas nesisuka.

2. Laikykite nuspaudę veleno fiksavimo mygtuką.
3. Atlaisvinkite fiksavimo veržlę: uždėkite priveržimo raktą ir sukite jį prieš laikrodžio rodyklę.
4. Paleiskite veleno fiksavimo mygtuką ir išimkite keičiamąjį įrankį.



### 6.7.3 Keičiamojo įrankio įdėjimas naudojant greitojo fiksavimo veržlę **Kwik lock**

#### **ATSARGIAI**

**Lūžimo pavojus.** Dėl per didelio nusidėvėjimo greitojo fiksavimo veržlė **Kwik lock** gali lūžti.

- ▶ Dirbdami kontroliuokite, kad greitojo fiksavimo veržlė **Kwik lock** neliestų apdirbamos medžiagos.
- ▶ Nenaudokite pažeistos greitojo fiksavimo veržlės **Kwik lock**.



Vietoje standartinės fiksavimo veržlės galima naudoti greitojo fiksavimo veržlę **Kwik lock** (užsakoma papildomai). Tuomet keičiamuosius įrankius galima keisti nenaudojant papildomo įrankio.

1. Išimkite akumuliatorių. → psl. 109
2. Nuvalykite fiksavimo jungę ir greitojo fiksavimo veržlę.
3. Ant veleno uždėkite fiksavimo jungę.
4. Uždėkite keičiamąjį įrankį.
5. Greitojo fiksavimo veržlę **Kwik lock** sukite tol, kol priglus prie keičiamojo įrankio.
  - ▶ Užsuktoje padėtyje yra matomas užrašas **Kwik lock**.
6. Laikykite nuspaudę veleno fiksavimo mygtuką.
7. Ranka toliau tvirtai sukite keičiamąjį įrankį pagal laikrodžio rodyklę, kol greitojo fiksavimo veržlė **Kwik lock** patikimai užsiverš, paskui atleiskite veleno fiksavimo mygtuką.

### 6.7.4 Keičiamojo įrankio išėmimas, naudojant greitojo fiksavimo veržlę **Kwik lock**

1. Išimkite akumuliatorių. → psl. 109

#### **ATSARGIAI**

**Lūžimo ir sugadinimo pavojus.** Jei veleno fiksavimo mygtukas paspaudžiamas veleniui sukantis, keičiamasis įrankis gali atsilaisvinti.

- ▶ Veleno fiksavimo mygtuką spauskite tik tada, kai velenas nesisuka.
2. Laikykite nuspaudę veleno fiksavimo mygtuką.
  3. Greitojo fiksavimo veržlę **Kwik lock** atlaisvinkite, ranka sukdami prieš laikrodžio rodyklę.
  4. Jeigu greitojo fiksavimo veržlės **Kwik lock** ranka atlaisvinti nepajėgiate, uždėkite ant jos priveržimo raktą ir sukite prieš laikrodžio rodyklę.



Kad greitojo fiksavimo veržlės **Kwik lock** nepažeistumėte, niekada nenaudokite vamzdžių rakto.

5. Atleiskite veleno fiksavimo mygtuką ir išimkite keičiamąjį įrankį.

### 6.7.5 Gręžimo karūnos montavimas

1. Išimkite akumuliatorių. → psl. 109
2. Sumontuokite šoninę rankeną. → psl. 109
3. Sumontuokite apsauginį gaubtą. → psl. 109
4. Gręžimo karūną uždėkite ir stipriai prisukite ranka.
5. Laikykite nuspaudę veleno fiksavimo mygtuką.
6. Gręžimo karūną priveržkite tinkamu veržliniu raktu.
7. Paskui atleiskite veleno fiksavimo mygtuką ir nuimkite veržlinį raktą.

## 7 Naudojimas

### 7.1 Šlifavimas

#### **ATSARGIAI**

**Sužalojimo pavojus.** Keičiamasis įrankis gali netikėtai užsiblokuoti arba ką nors užkabinti.

- ▶ Prietaisą visada naudokite su šonine rankena (arba su papildomai įsigyjama lanko formos rankena) ir jį tvirtai laikykite abiem rankomis.



## 7.2 Abrazyvinis pjaustymas

- ▶ Pjaustydami abrazyviniu būdu, dirbkite su saikinga pastūma ir nesukiokite prietaiso arba abrazyvinio pjaustymo disko (darbinė padėtis yra maždaug 90° kampu į pjaunamą plokštumą).



Profiliai ir maži keturkampiai vamzdžiai pjaustomi geriausiai, kai abrazyvinio pjaustymo diskas pridodamas mažiausio skerspjūvio vietoje.

## 7.3 Grubusis šlifavimas



### ATSARGIAI

**Sužalojimo pavojus.** Abrazyvinio pjaustymo diskas gali trūkti ir skriejančios jo skeveldros gali sužaloti.

- ▶ Abrazyvinio pjaustymo diskų niekada nenaudokite grubiajam šlifavimui.
- ▶ Nustatę nuo 5° iki 30° atakos kampą ir saikingai spausdami, stumdykite prietaisą pirmyn ir atgal.
  - ▶ Ruošinyms neįkais, nepakeis spalvos ir ant jo nesusidarys grioveliai.

## 7.4 Įjungimas jungikliu su įjungimo blokatoriumi



Jungikliu su įjungimo blokatoriumi galite kontroliuoti įjungimo funkciją ir išvengti prietaiso netyčinio paleidimo.

1. Įjungimo blokatorių spauskite pirmyn.
  - ▶ Jungiklis atblokuojamas.
2. Jungiklį spauskite iki galo.
  - ▶ Prietaiso variklis sukasi tuščiosios eigos greičiu.

## 7.5 Išjungimas jungikliu su įjungimo blokatoriumi

- ▶ Atleiskite jungiklį.
  - ▶ Įjungimo blokatorius automatiškai peršoka į blokavimo padėtį.

## 8 Priežiūra ir einamasis remontas



### ĮSPĖJIMAS

**Sužalojimo pavojus kai įstatytas akumulatorius !**

- ▶ Prieš pradėdami bet kokius techninės priežiūros ir einamojo remonto darbus, akumuliatorių iš prietaiso išimkite!

### Prietaiso priežiūra

- Atsargiai pašalinti prilipusius nešvarumus.
- Vėdinimo plyšius atsargiai išvalyti sausu šepetėliu.
- Korpusą valyti tik šiek tiek sudrėkinta šluoste. Nenaudoti silikono turinčių priežiūros priemonių, nes jos gali pakenkti plastikinėms detalėms.

### Ličio jonų akumuliatorių priežiūra

- Akumuliatorių saugoti nuo alyvos ir tirštojo tepalo.
- Korpusą valyti tik šiek tiek sudrėkinta šluoste. Nenaudoti silikono turinčių priežiūros priemonių, nes jos gali pakenkti plastikinėms detalėms.
- Saugoti, kad į vidų neprasiskverbtų drėgmė.

### Einamasis remontas

- Reguliariai tikrinti, ar matomos dalys nėra pažeistos ir ar valdymo elementai veikia nepriekaištingai.
- Pažeisto ir / arba turinčio veikimo sutrikimų prietaiso nenaudoti. Nedelsiant kreiptis į **Hilti** techninės priežiūros centrą dėl remonto.
- Baigus techninės priežiūros ir einamojo remonto darbus, sumontuoti visus apsauginius įtaisus ir patikrinti jų veikimą.





Kad eksploatacija būtų patikima, naudokite tik originalias atsargines dalis ir eksploatacines medžiagas. Mūsų aprobuotas atsargines dalis, eksploatacines medžiagas ir reikmenis savo prietaisui rasite vietinėje **Hilti Store** arba tinklalapyje **www.hilti.group**.

## 9 Akumuliatorių prietaisų transportavimas ir sandėliavimas

### Transportavimas

#### **ATSARGIAI**

#### Atsitiktinis įjungimas transportuojant !

- ▶ Savo prietaisus visada transportuokite tik išėmę akumulatorius!
- ▶ Išimti akumulatorius.
- ▶ Akumuliatorių niekada netransportuoti sumetus į krūvą su kitais daiktais.
- ▶ Prieš naudojant po ilgesnio transportavimo, patikrinti, ar prietaisas ir akumulatoriai nėra pažeisti.

### Sandėliavimas

#### **ATSARGIAI**

#### Atsitiktinis pažeidimas dėl sugedusių ar išsiliejusių akumuliatorių !

- ▶ Savo prietaisus visada laikykite tik išėmę akumulatorius!
- ▶ Prietaisą ir akumulatorius pagal galimybes laikyti sausoje ir vėsioje vietoje.
- ▶ Akumuliatorių jokia būdu nelaikyti saulės atokaitoje, ant šildymo prietaisų ar už automobilio lango stiklo.
- ▶ Prietaisą ir akumulatorius laikyti vaikams bei neįgalotiems asmenims neprieinamoje vietoje.
- ▶ Prieš naudojant po ilgesnio sandėliavimo, patikrinti, ar prietaisas ir akumulatoriai nėra pažeisti.

## 10 Pagalba sutrikus veikimui

Pasitaikius sutrikimų, kurie nėra aprašyti šioje lentelėje arba kurių negalite pašalinti patys, kreipkitės į **Hilti** techninės priežiūros centrą.

### 10.1 Sutrikimų paieška

Sutrikimas	Galima priežastis	Sprendimas
Akumulatorius išsenka greičiau negu įprastai.	Labai žema aplinkos temperatūra.	▶ Leiskite akumuliatoriui lėtai įšilti iki patalpos temperatūros.
Akumulatorius neužsifiksuoja girdimu spragtelėjimu.	Užteršti akumulatoriaus fiksatoriai.	▶ Fiksatorius išvalykite ir akumuliatorių įdėkite iš naujo.
1 šviesos diodas mirksi. Prietaisas neveikia.	Akumulatorius yra išsekęs.	▶ Akumuliatorių pakeiskite, o išsekusį – įkraukite.
	Akumulatorius yra per šaltas arba per karštas.	▶ Leiskite akumuliatoriui lėtai įšilti arba atvėsti iki patalpos temperatūros.
Mirksi visi 4 šviesos diodai. Prietaisas neveikia.	Prietaisas perkrautas.	▶ Valdymo jungiklį atleiskite ir vėl paspauskite. Tada leiskite prietaisui maždaug 30 sekundžių sukintis tuščiajame eiga.
Kampinis šlifukoelis arba akumulatorius stipriai kaista.	Elektrinis gedimas	▶ Prietaisą nedelsiant išjunkite, išimkite akumuliatorių ir stebėkite jį, leiskite jam atvėsti ir susisieki su <b>Hilti</b> techninės priežiūros centru.
Prietaisas veikia ne visa galia.	Įdėtas per mažos talpos akumulatorius.	▶ Naudokite pakankamos talpos akumuliatorių.
Neveikia variklio stabdymo funkcija.	Akumulatorius yra išsekęs.	▶ Akumuliatorių pakeiskite, o išsekusį – įkraukite.
	Prietaisas trumpam perkrautas.	▶ Valdymo jungiklį atleiskite ir vėl paspauskite.



## 11 Utilizavimas

**Hilti** prietaisai yra pagaminti iš medžiagų, kurias galima naudoti antrą kartą. Būtina antrinio perdirbimo sąlyga yra tinkamas medžiagų išrūšiuojimas. Daugelyje šalių **Hilti** priimi Jūsų nebenaudojamą prietaisą perdirbti. Apie tai galite pasiteirauti artimiausiam **Hilti** techninės priežiūros centre arba savo prekybos konsultanto.

### Akumuliatorių utilizavimas

Dėl netinkamo akumuliatorių utilizavimo į aplinką pasklidusios dujos ar ištekėję skysčiai gali kelti grėsmę sveikatai.

- ▶ Pažeistų akumuliatorių nesiųskite paštu ir nepervežkite!
- ▶ Kad būtų išvengta trumpojo jungimo, jungtis uždenkite elektrai nelaidžia medžiaga.
- ▶ Akumuliatorius utilizuokite taip, kad jie negalėtų patekti į vaikų rankas.
- ▶ Akumuliatorių pristatykite utilizuoti į savo **Hilti Store** arba kreipkitės į vietinę kompetentingą utilizavimo įmonę.



- ▶ Elektrinių įrankių, elektroninių prietaisų ir akumuliatorių neišmeskite į buitinius šiukšlynus!

## 12 RoHS (direktyva dėl pavojingų medžiagų naudojimo ribojimo)

Pavojingų medžiagų lentelę rasite spausdami šias nuorodas: [qr.hilti.com/r3958236](https://qr.hilti.com/r3958236).

Nuorodą į RoHS lentelę rasite kaip QR kodą šios instrukcijos gale.

## 13 Gamintojo teikiama garantija

- ▶ Kilus klausimų dėl garantijos sąlygų, kreipkitės į vietinį **Hilti** partnerį.

## Перевод оригинального руководства по эксплуатации

### 1 Указания к документации

#### 1.1 Об этом документе



#### Импортер и уполномоченная изготовителем организация

- (RU) Российская Федерация  
АО "Хилти Дистрибьюшн ЛТД", 141402, Московская область, г. Химки, ул. Ленинградская, стр. 25
- (BY) Республика Беларусь  
222750, Минская область, Дзержинский район, Р-1, 18-й км, 2 (около д. Слободка), помещение 1-34
- (KZ) Республика Казахстан  
Республика Казахстан, индекс 050011, г. Алматы, ул. Пугачева 4
- (KG) Киргизская Республика  
ОсОО "Т AND Т", 720021, Кыргызстан, Бишкек, ул. Ибраимова 29 А
- (AM) Республика Армения  
ООО Эйч-Кон, Республика Армения, г. Ереван, ул. Бабаяна 10/1

Страна производства: см. маркировочную табличку на оборудовании.

Дата производства: см. маркировочную табличку на оборудовании.

Соответствующий сертификат можно найти по адресу: [www.hilti.ru](http://www.hilti.ru)

Специальных требований к условиям хранения, транспортировки и использования, кроме указанных в руководстве по эксплуатации, нет.

Срок службы изделия составляет 5 лет.

- Ознакомьтесь с этим документом перед началом работы. Это является залогом безопасной работы и бесперебойной эксплуатации.
- Соблюдайте указания по технике безопасности и предупреждающие указания, приводимые в данном документе и на изделии.





- Храните руководство по эксплуатации всегда рядом с электроинструментом и передавайте электроинструмент будущим владельцам только вместе с этим руководством.

## 1.2 Пояснение к знакам (условным обозначениям)

### 1.2.1 Предупреждающие указания

Предупреждающие указания служат для предупреждения об опасностях при обращении с машиной. Используются следующие сигнальные слова:

#### **ОПАСНО**

##### **ОПАСНО !**

- ▶ Общее обозначение непосредственной опасной ситуации, которая влечет за собой тяжелые травмы или смертельный исход.

#### **ПРЕДУПРЕЖДЕНИЕ**

##### **ПРЕДУПРЕЖДЕНИЕ !**

- ▶ Общее обозначение потенциально опасной ситуации, которая может повлечь за собой тяжелые травмы или смертельный исход.





#### **ОСТОРОЖНО**

##### **ОСТОРОЖНО !**

- ▶ Общее обозначение потенциально опасной ситуации, которая может повлечь за собой легкие травмы или повреждение оборудования.


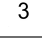
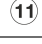

### 1.2.2 Символы, используемые в руководстве

В этом руководстве используются следующие символы:

	Перед использованием прочтите руководство по эксплуатации.
	Указания по эксплуатации и другая полезная информация
	Обращение с материалами, пригодными для вторичной переработки
	Не выбрасывайте электроустройства и аккумуляторы вместе с обычным мусором!

### 1.2.3 Символы на изображениях


На изображениях используются следующие символы:

	Эти цифры указывают на соответствующее изображение в начале данного руководства.
	Нумерация на изображениях отображает порядок выполнения рабочих операций и может отличаться от нумерации, используемой в тексте.
	Номера позиций используются в <b>обзорном</b> изображении. В <b>обзоре изделия</b> они указывают на номера в экспликации.
	Этот знак должен привлечь особое внимание пользователя при обращении с изделием.

## 1.3 Символы в зависимости от изделия

### 1.3.1 Символы на изделии

На изделии могут использоваться следующие символы:

	Используйте защитные очки
n	Номинальная частота вращения
/min	оборотов в минуту (об/мин)



RPM	оборотов в минуту (об/мин)
	Диаметр
	Постоянный ток
Li-Ion	Литий-ионный аккумулятор
	Серия используемых литий-ионных аккумуляторов <b>Hilti</b> . Соблюдайте указания, приведенные в главе <b>Использование по назначению</b> .
	Никогда не используйте аккумулятор в качестве ударного инструмента.
	Не допускайте падения аккумулятора. Не используйте аккумулятор, который получил повреждения вследствие удара или каким-либо иным образом.
	Устройство поддерживает технологию NFC, совместимую с платформами iOS и Android.

#### 1.4 Информация об изделии

Изделия **Hilti** предназначены для профессионального использования, поэтому они должны обслуживаться и ремонтироваться только уполномоченным и обученным персоналом. Этот персонал должен пройти специальный инструктаж по технике безопасности. Использование изделия и его оснастки не по назначению или его эксплуатация необученным персоналом могут представлять опасность.

Типовое обозначение и серийный номер указаны на заводской табличке.

- ▶ Перепишите серийный номер в нижеприведенную табличную форму. Данные изделия необходимы при обращении в наше представительство или сервисный центр.

##### Данные изделия

Угловая шлифмашина	AG 125-A22
Поколение	02
Серийный номер	

#### 1.5 Декларация соответствия нормам

Настоящим мы с полной ответственностью заявляем, что данное изделие соответствует действующим директивам и нормам. Копию декларации соответствия нормам см. в конце этого документа.

Техническая документация (оригиналы) хранится здесь:

**Hilti** Entwicklungsgesellschaft mbH | Zulassung Geräte | Hiltistraße 6 | 86916 Kaufering, Германия

## 2 Безопасность

### 2.1 Указания по технике безопасности

#### 2.1.1 Общие указания по технике безопасности для электроинструментов

**⚠ ПРЕДУПРЕЖДЕНИЕ! Прочтите все указания по технике безопасности и инструкции.** Невыполнение приведенных ниже указаний может привести к поражению электрическим током, пожару и/или вызвать тяжелые травмы.

Сохраните все указания по технике безопасности и инструкции для следующего пользователя.

##### Безопасность рабочего места

- ▶ Следите за чистотой и хорошей освещенностью на рабочем месте. Беспорядок на рабочем месте или плохое освещение могут привести к несчастным случаям.
- ▶ **Не используйте электроинструмент во взрывоопасной зоне, где имеются горючие жидкости, газы или пыль.** При работе электроинструмент искрит, и искры могут воспламенить пыль или пары/газы.
- ▶ **Не разрешайте детям и посторонним приближаться к работающему электроинструменту.** Отвлекаясь от работы, можно потерять контроль над электроинструментом.



## Электрическая безопасность

- ▶ **Избегайте касания частями тела заземленных поверхностей труб, батарей центрального отопления, газовых/электрических плит и холодильников.** При контакте с заземленными предметами возникает повышенный риск поражения электрическим током.
- ▶ **Предохраняйте электроинструменты от дождя или воздействия влаги.** В результате попадания воды в электроинструмент возрастает риск поражения электрическим током.

## Безопасность персонала

- ▶ **Будьте внимательны, следите за своими действиями и серьезно относитесь к работе с электроинструментом. Не пользуйтесь электроинструментом, если вы устали или находитесь под действием наркотиков, алкоголя или медикаментов.** Незначительная ошибка при невнимательной работе с электроинструментом может стать причиной серьезного травмирования.
- ▶ **Используйте средства индивидуальной защиты и всегда надевайте защитные очки.** Использование средств индивидуальной защиты, например, респиратора, защитной обуви на нескользящей подошве, защитной каски или защитных наушников, в зависимости от вида и условий эксплуатации электроинструмента, снижает риск травмирования.
- ▶ **Избегайте непреднамеренного включения электроинструмента. Убедитесь в том, что электроинструмент выключен, прежде чем вставить аккумулятор, поднимать или переносить электроинструмент.** Ситуации, когда при переноске электроинструмента пальцы находятся на выключателе или когда электроинструмент запитывается во включенном положении, могут привести к несчастным случаям.
- ▶ **Перед включением электроинструмента удалите регулировочные приспособления или гаечные ключи.** Рабочий инструмент или гаечный ключ, находящийся во вращающейся части электроинструмента, может стать причиной получения травм.
- ▶ **Старайтесь избегать неестественных поз при работе. Постоянно сохраняйте устойчивое положение и равновесие.** Это позволит лучше контролировать электроинструмент в непредвиденных ситуациях.
- ▶ **Носите спецодежду. Не надевайте очень свободную одежду или украшения. Оберегайте волосы, одежду и защитные перчатки от вращающихся узлов электроинструмента.** Свободная одежда, украшения и длинные волосы могут быть захвачены ими.
- ▶ **Если предусмотрено подсоединение устройств для удаления и сбора пыли, убедитесь в том, что они подсоединены и используются по назначению.** Использование пылеудаляющего аппарата снижает вредное воздействие пыли.

## Использование и обслуживание электроинструмента

- ▶ **Не допускайте перегрузки электроинструмента. Используйте электроинструмент, предназначенный именно для данной работы.** Соблюдение этого правила обеспечит более высокое качество и безопасность работы в указанном диапазоне мощности.
- ▶ **Не используйте электроинструмент с неисправным выключателем.** Электроинструмент, включение или выключение которого затруднено, представляет опасность и должен быть отремонтирован.
- ▶ **Прежде чем приступить к регулировке устройства, замене принадлежностей или прежде чем убрать устройство на хранение извлекайте из него аккумулятор.** Данная мера предосторожности позволит предотвратить непреднамеренное включение электроинструмента.
- ▶ **Храните неиспользуемые электроинструменты в местах, недоступных для детей. Не позволяйте использовать устройство лицам, которые не ознакомлены с ним или не читали данных инструкций.** Электроинструменты представляют собой опасность в руках неопытных пользователей.
- ▶ **Тщательно ухаживайте за электроинструментами. Проверяйте безупречное функционирование подвижных деталей/частей, легкость их хода, целостность и отсутствие повреждений, которые могли бы отрицательно повлиять на работу электроинструмента. Сдавайте поврежденные части устройства в ремонт до его использования.** Причиной многих несчастных случаев является несоблюдение правил технического обслуживания электроинструментов.
- ▶ **Необходимо следить за тем, чтобы режущие инструменты были острыми и чистыми.** Заклинивание содержащихся в надлежащем состоянии режущих инструментов происходит реже, ими легче управлять.
- ▶ **Применяйте электроинструмент, принадлежности, рабочие инструменты и т. д. согласно приведенным указаниям. Учитывайте при этом рабочие условия и характер выполняемой работы.** Использование электроинструментов не по назначению может привести к опасным ситуациям.



## Использование и обслуживание аккумуляторного инструмента

- ▶ **Заряжайте аккумуляторы только с помощью зарядных устройств, рекомендованных изготовителем.** При использовании зарядного устройства для зарядки несоответствующих ему типов аккумуляторов существует опасность возгорания.
- ▶ **Используйте только оригинальные аккумуляторы, рекомендованные специально для этого электроинструмента.** Использование других аккумуляторов может привести к травмам и опасности возгорания.
- ▶ **Неиспользуемые аккумуляторы храните вдали от скрепок, монет, ключей, гвоздей, шурупов или других мелких металлических предметов, которые могут стать причиной замыкания контактов.** Замыкание контактов аккумулятора может привести к ожогам или возгоранию.
- ▶ **При неверном обращении с аккумулятором из него может вытечь электролит.** Избегайте контакта с ним. Вытекший из аккумулятора электролит может привести к раздражению кожи или ожогам. При случайном контакте смойте водой. При попадании электролита в глаза дополнительно обратитесь за помощью к врачу.

## Сервис

- ▶ **Доверяйте ремонт своего электроинструмента только квалифицированному персоналу, использующему только оригинальные запчасти.** Этим обеспечивается поддержание электроинструмента в безопасном и исправном состоянии.

### 2.1.2 Общие указания по технике безопасности при шлифовании, шлифовании с использованием абразивной шкурки, работе с проволочными щетками (крацевании), полировании и абразивной резке кругом:

- ▶ **Этот электроинструмент предназначен для использования в качестве шлифмашины или машины для абразивной резки.** Соблюдайте все указания по технике безопасности, инструкции, схемы и данные, полученные вами вместе с электроинструментом. Несоблюдение нижеприведенных указаний может привести к поражению электрическим током, пожару и/или серьезным травмам.
- ▶ **Этот электроинструмент не предназначен для шлифования с использованием абразивной шкурки, работ с проволочными щетками (крацевания) и полирования.** Использование электроинструмента не по назначению может привести к возникновению опасных ситуаций и стать причиной травмирования.
- ▶ **Не используйте принадлежности, которые не были разработаны или рекомендованы изготовителем специально для данного электроинструмента.** То обстоятельство, что вам удалось закрепить какую-либо принадлежность на электроинструменте, не гарантирует вам его безопасной эксплуатации.
- ▶ **Предельно допустимая частота вращения, указанная на рабочем инструменте, не должна быть больше максимальной частоты вращения, указанной на электроинструменте.** Рабочий инструмент, вращающийся с частотой больше допустимой, может разрушиться.
- ▶ **Наружный диаметр и толщина рабочего инструмента должны соответствовать размерам электроинструмента.** Рабочие инструменты, размеры которых не соответствуют требуемым, не могут экранироваться или контролироваться в достаточной степени.
- ▶ **Рабочие инструменты с резьбой должны в точности подходить к шпинделю.** Диаметр посадочного отверстия рабочего инструмента, устанавливаемого посредством фланца, должен соответствовать рабочему диаметру фланца. Рабочие инструменты, которые закреплены на электроинструменте неправильно, вращаются неравномерно, становятся причиной возникновения сильных вибраций и приводят к потере контроля.
- ▶ **Не используйте поврежденные рабочие инструменты.** Перед каждой эксплуатацией проверьте рабочие инструменты (шлифкруги) на сколы и трещины, опорные тарелки на трещины, износ или сильное истирание, проволочные щетки на излом или отрыв проволоки. После падения электроинструмента или рабочего инструмента проверьте их на отсутствие повреждений или выполните замену рабочего инструмента. При использовании вращающегося рабочего инструмента работающий с электроинструментом и находящийся рядом лица должны находиться на безопасном расстоянии от него. Необходимо дать поработать электроинструменту в течение минуты с максимальной частотой вращения. Неисправные рабочие инструменты выходят из строя чаще всего во время этого контрольного промежутка времени.
- ▶ **Используйте средства индивидуальной защиты.** В зависимости от условий используйте защитную маску или защитные очки. При необходимости надевайте респиратор, защитные наушники, защитные перчатки или специальный фартук, который защитит вас от мелких частиц обрабатываемого материала. Необходимо обеспечить защиту глаз от попадания частиц, образующихся при выполнении различных работ. Возникающая при работе пыль должна задержи-



ваться пылезащитным фильтром респиратора. При слишком долгом воздействии сильного шума возможна потеря слуха.

- ▶ Следите за тем, чтобы посторонние лица находились на безопасном расстоянии от рабочей зоны. Любой человек, находящийся в рабочей зоне, должен использовать средства индивидуальной защиты. Обломки заготовки или осколки разломившихся рабочих инструментов могут отлетать в стороны и травмировать даже за пределами рабочей зоны.
- ▶ При опасности повреждения рабочим инструментом скрытой электропроводки держите электроинструмент только за изолированные поверхности. При контакте с токопроводящей линией металлические части электроинструмента также находятся под напряжением, что может привести к поражению электрическим током.
- ▶ Держите кабель электропитания на безопасном расстоянии от вращающихся рабочих инструментов. В случае потери контроля над электроинструментом кабель электропитания может быть перерезан, а ваша рука затянута в зону вращения рабочего инструмента.
- ▶ Не кладите электроинструмент до полной остановки рабочего инструмента. Вращающийся рабочий инструмент может соприкоснуться с опорной поверхностью, вследствие чего вы можете потерять контроль над электроинструментом.
- ▶ Не допускайте включения электроинструмента во время его переноски. Вращающийся рабочий инструмент может случайно захватить края вашей одежды и при последующем вращении травмировать вас.
- ▶ Регулярно очищайте вентиляционные прорези электроинструмента. Повышенная концентрация металлической пыли, засасываемой в корпус двигателя, может создать опасность поражения электрическим током.
- ▶ Не используйте электроинструмент вблизи воспламеняющихся материалов. Попадание искр может воспламенить подобные материалы.
- ▶ Не используйте рабочие инструменты, для эксплуатации которых требуется применение смазочно-охлаждающих жидкостей. Использование воды или других охлаждающих жидкостей может привести к опасности поражения электрическим током.

#### Отдача и соответствующие указания по технике безопасности

Отдача представляет собой неожиданную реакцию, возникающую при заедании или блокировке вращающегося рабочего инструмента (шлифкруга, тарельчатого шлифкруга, проволочной щетки и т. д.). Заедание или блокировка приводят к внезапной остановке вращающегося рабочего инструмента. Из-за противоположного направления вращения рабочего инструмента в месте блокировки происходит неконтролируемое движение электроинструмента.

При заедании или блокировке шлифкруга в заготовке кромка шлифкруга, погружаемая в заготовку, может застревать, что приводит к разлому круга или вызывает отдачу. При этом шлифкруг движется либо в направлении оператора, либо от него (в зависимости от направления вращения круга в момент блокировки). Это может также вызвать разрушение шлифкруга.

Отдача является следствием неправильного или ошибочного использования электроинструмента. При соблюдении нижеприведенных мер предосторожности этого можно избежать.

- ▶ Надежно держите электроинструмент, приняв такое положение, при котором вы сможете амортизировать отдачу электроинструмента. Всегда используйте дополнительную рукоятку (при ее наличии), чтобы максимально контролировать отдачу или реактивные моменты, возникающие при разгоне электродвигателя. При условии соблюдения соответствующих мер предосторожности оператор может контролировать отдачу и реактивный момент.
- ▶ Не приближайте кисти рук к вращающимся рабочим инструментам. При отдаче рабочий инструмент может их зацепить.
- ▶ Избегайте попадания в зону, в которую смещается электроинструмент при отдаче. Отдача смещает электроинструмент от места блокировки в направлении, противоположном вращению рабочего инструмента.
- ▶ Будьте предельно внимательны при обработке углов, острых кромок и т. д. Не допускайте отскакивания и заедания рабочих инструментов в заготовке. Вращающийся рабочий инструмент при обработке углов, острых кромок или в случае его отскакивания может заедать. Это становится причиной потери контроля над электроинструментом или возникновения отдачи.
- ▶ Не используйте пильный диск с цепным или зубчатым зацеплением. Использование таких рабочих инструментов зачастую вызывает отдачу или приводит к потере контроля над электроинструментом.

#### Особые указания по технике безопасности при шлифовании и абразивной резке:

- ▶ Используйте только допущенные к эксплуатации с данным электроинструментом абразивные инструменты и соответствующий им защитный кожух. Абразивные круги, не предназначенные



для данного электроинструмента, не могут экранироваться в достаточной степени и работают нестабильно.

- ▶ **Выпуклые абразивные круги должны быть установлены таким образом, чтобы их рабочая поверхность не выступала за кромку защитного кожуха.** Неправильно установленный абразивный круг, выступающий за кромку защитного кожуха, не может быть экранирован должным образом.
- ▶ **Защитный кожух должен быть надежно закреплен на электроинструменте и отрегулирован таким образом, чтобы обеспечить максимальную безопасность.** Открытой должна оставаться лишь самая малая часть абразивного инструмента. Защитный кожух служит для защиты оператора от осколков и случайного соприкосновения с абразивным инструментом, а также от искр, которые могут воспламенить одежду при попадании на нее.
- ▶ **Абразивные инструменты должны использоваться только по назначению; например, запрещается выполнять шлифование боковой поверхностью отрезного круга.** Отрезные круги предназначены для снятия материала кромкой круга. Воздействие, оказываемое на круг с боковой стороны, может стать причиной его разрушения.
- ▶ **Для установки шлифкруга всегда используйте неповрежденный зажимной фланец нужного размера и формы.** Подходящие по форме и размеру фланцы надежно фиксируют шлифкруг и снижают степень риска его разлома. Зажимные фланцы отрезных кругов могут отличаться от зажимных фланцев других шлифкругов.
- ▶ **Не используйте изношенные абразивные круги от электроинструментов большего размера.** Шлифкруги, изготовленные для электроинструментов большего размера, не рассчитаны на высокую частоту вращения малогабаритных электроинструментов и поэтому могут разрушиться.

#### **Дополнительные указания по технике безопасности при абразивной резке:**

- ▶ **Избегайте блокировки отрезного круга или слишком сильного давления прижима. Не выполняйте слишком глубоких резов.** Перегрузка отрезного круга увеличивает его износ и подверженность перекоосу или блокировке, а вместе с тем возможность появления отдачи или его разрушения.
- ▶ **Избегайте нахождения в зоне перед вращающимся отрезным кругом и позади него.** При смещении отрезного круга в заготовке в направлении от себя электроинструмент в случае отдачи может отскочить прямо на вас вместе с вращающимся кругом.
- ▶ **В случае заклинивания отрезного круга или прерывания работы выключите электроинструмент и дождитесь, пока круг не остановится полностью. Никогда не пытайтесь вытянуть еще вращающийся отрезной круг из реза — возможна отдача.** Установите и устраните причину заклинивания.
- ▶ **Не включайте электроинструмент снова, если рабочий инструмент все еще находится в заготовке. Перед продолжением работы дождитесь, пока отрезной круг не разгонится до рабочей частоты вращения.** В противном случае возможно заедание круга, его выскакивание из заготовки или появление отдачи.
- ▶ **Подпирайте плиты или заготовки большого размера, чтобы снизить степень риска появления отдачи в случае заедания отрезного круга.** Габаритные заготовки могут прогибаться под действием собственного веса. Такие заготовки необходимо подпирать с двух сторон как вблизи места выполнения реза, так и вдоль кромки.
- ▶ **Будьте особенно осторожны при выполнении погружных резов в стенах или в других непрозрачных зонах.** При погружении отрезного диска во время резки газо- и водопроводов, электрических проводов или других объектов возможно появление отдачи.

### **2.1.3 Дополнительные указания по технике безопасности**

#### **Безопасность персонала**

- ▶ Используйте электроинструмент только в технически исправном состоянии.
- ▶ Внесение изменений в конструкцию электроинструмента или его модификация категорически запрещаются.
- ▶ Не прикасайтесь к вращающимся деталям/узлам электроинструмента — опасность травмирования!
- ▶ При замене рабочего инструмента надевайте защитные перчатки. Соблюдайте осторожность при замене рабочего инструмента — контакт с ним может привести к порезам и ожогам.
- ▶ Перед началом работы выясните по материалу заготовки класс опасности возникающей пыли. Для работы с электроинструментом используйте строительный (промышленный) пылесос, степень защиты которого соответствует нормам пылезащиты, действующим в месте эксплуатации. Пыль, возникающая при обработке лакокрасочных покрытий, содержащих свинец, некоторых видов древесины, бетона/кирпичной и каменной кладки с частицами кварца, минералов, а также металла может представлять опасность для здоровья.
- ▶ Обеспечьте оптимальную вентиляцию рабочей зоны и при необходимости надевайте респиратор, который подходит для защиты от конкретного вида пыли. Вдыхание частиц такой пыли или контакт



с ней может стать причиной появления аллергических реакций и/или заболеваний дыхательных путей как у пользователя, так и находящихся вблизи лиц. Некоторые виды пыли (например, пыль, возникающая при обработке дуба или бука) считаются канцерогенными, особенно в комбинации с дополнительными материалами, используемыми для обработки древесины (соль хромовой кислоты, средства защиты древесины). К работам с асбестосодержащим материалом должны допускаться только специалисты.

- ▶ Чтобы во время работы руки не затекали, время от времени делайте упражнения для расслабления и разминки пальцев. При длительной работе возникающие вибрации могут привести к нарушениям кровоснабжения сосудов или в нервных окончаниях пальцев/кистей рук или в запястьях.

### **Электрическая безопасность**

- ▶ Перед началом работы проверяйте рабочее место на наличие скрытой электропроводки, газо- и водопроводных труб. Открытые металлические части электроинструмента могут стать проводниками электрического тока, если случайно задеть электропроводку.

### **Бережное обращение с электроинструментами и их правильная эксплуатация**

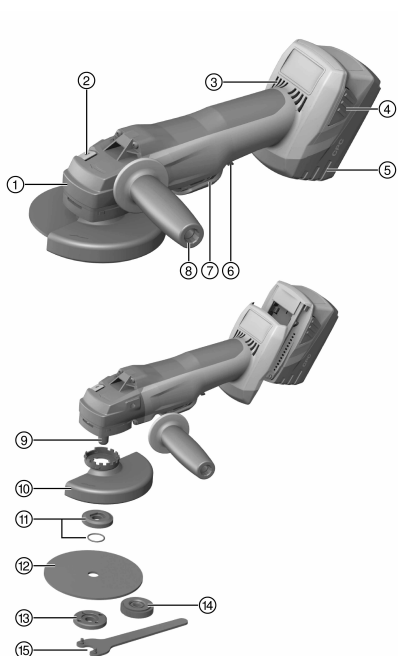
- ▶ Использовать отрезные круги для обдирочного шлифования запрещается.
- ▶ Плотно затяните рабочий инструмент и фланец. Если рабочий инструмент и фланец затянуты неплотно, то после выключения возможна расфиксация рабочего инструмента на шпинделе при торможении двигателем электроинструмента.
- ▶ Соблюдайте указания изготовителя по обращению и хранению шлифкругов.

### **2.1.4 Аккуратное обращение с аккумуляторами и их правильное использование**

- ▶ Соблюдайте специальные предписания по транспортировке, хранению и эксплуатации литий-ионных аккумуляторов.
- ▶ Храните аккумуляторы на безопасном расстоянии от источников высокой температуры/огня и не подвергайте их прямому воздействию солнечного излучения.
- ▶ Запрещается разбирать, сдавливать, нагревать до температуры свыше 80 °С или сжигать аккумуляторы.
- ▶ Не используйте или не заряжайте аккумуляторы, которые подвергались ударам, падали с высоты более одного метра или получили какие-либо иные повреждения. При возникновении такой ситуации всегда обращайтесь в ближайший **сервисный центр Hilti**.
- ▶ Слишком сильный нагрев аккумулятора (такой, что до него невозможно дотронуться) указывает на его возможный дефект. Поместите изделие в пожаробезопасное место на достаточном расстоянии от воспламеняющихся материалов, где вы сможете контролировать ситуацию, и дайте ему остыть. При возникновении такой ситуации всегда обращайтесь в ближайший **сервисный центр Hilti**.



#### 3.1 Обзор изделия



- ① Кнопка (рас)фиксации кожуха
- ② Кнопка блокировки шпинделя
- ③ Вентиляционные прорези
- ④ Кнопка (де)блокировки с дополнительной функцией активации индикатора уровня заряда аккумулятора
- ⑤ Аккумулятор
- ⑥ Кнопка блокировки включения
- ⑦ Выключатель
- ⑧ Виброгасящая боковая рукоятка
- ⑨ Шпиндель
- ⑩ Стандартный защитный кожух
- ⑪ Зажимной фланец с кольцом круглого сечения
- ⑫ Отрезной/обдирочный абразивный круг
- ⑬ Зажимная гайка
- ⑭ Быстрозажимная гайка **Kwik lock** (опция)
- ⑮ Ключ

#### 3.2 Использование по назначению

Данное изделие представляет собой ручную аккумуляторную угловую шлифмашину, предназначенную для абразивной резки и обдирочного шлифования металлических и минеральных материалов, а также для сверления керамической плитки без использования воды. Эта шлифмашина может использоваться только для сухого шлифования/сухой абразивной резки.

- Абразивная резка, шпатель и обдирочное шлифование минеральных материалов допускается только при использовании подходящего защитного кожуха (опция).
- При обработке таких минеральных оснований, как бетон или камень, как правило, рекомендуется использовать пылезаститный кожух, подходящий для работы в комбинации с соответствующим пылесосом **Hilti**.
- ▶ Для этого электроинструмента используйте только литий-ионные аккумуляторы **Hilti** серии В 22.
- ▶ Для зарядки этих аккумуляторов используйте только зарядные устройства **Hilti** серии С4/36.

#### 3.3 Комплект поставки

Угловая шлифмашина, боковая рукоятка, стандартный защитный кожух, передняя накладка, зажимной фланец, зажимная гайка, зажимный ключ, руководство по эксплуатации

Другие системные принадлежности, допущенные для использования с этим изделием, вы можете найти в **Hilti Store** или на сайте [www.hilti.group](http://www.hilti.group)

#### 3.4 Термозащита электроинструмента

Система термозащиты двигателя контролирует потребление электроэнергии, а также нагрев двигателя, защищая электроинструмент от перегрева.

При перегрузке двигателя вследствие слишком высокого давления прижима производительность электроинструмента заметно снижается или возможна его полная остановка.





При остановке или снижении частоты вращения вследствие перегрузки следует уменьшить нагрузку на электроинструмент и дать поработать ему в течение примерно 30 с на холостом ходу.

### 3.5 Защитный кожух с передней накладкой

При обдирочном шлифовании плоскими обдирочными шлифкругами и резке абразивными отрезными кругами металлических оснований следует использовать стандартный защитный кожух с передней накладкой.

### 3.6 Пылезащитный кожух (резка) DC-EX 125/5" С, компактный кожух (принадлежность)

Для абразивной резки минеральных оснований с использованием алмазных отрезных кругов следует использовать компактный кожух DC-EX 125/5" С.

**ОСТОРОЖНО** Обработка металла с использованием этого кожуха запрещена.

### 3.7 Пылезащитный кожух (для шлифования) DG-EX 125/5" (принадлежность)

Электроинструмент предназначен только для нерегулярного шлифования минеральных материалов с использованием алмазных чашечных кругов.

**ОСТОРОЖНО** Обработка металла с использованием этого кожуха запрещена.

### 3.8 Индикация уровня заряда литий-ионного аккумулятора

Уровень заряда литий-ионного аккумулятора отображается после нажатия одной из двух кнопок (де) блокировки аккумулятора.

Состояние	Значение
Горят четыре светодиода.	Уровень заряда: от 75 % до 100 %
Горят три светодиода.	Уровень заряда: от 50 % до 75 %
Горят два светодиода.	Уровень заряда: от 25 % до 50 %
Горит один светодиод.	Уровень заряда: от 10 % до 25 %
Мигает один светодиод.	Уровень заряда: < 10 %



Во время работы и непосредственно после ее завершения вызов индикации уровня заряда невозможен. При мигании светодиодов индикатора уровня заряда аккумулятора следуйте указаниям из главы «Поиск и устранение неисправностей».

## 4 Расходные материалы

Разрешается использовать только круги со связующим из синтетической смолы и с добавлением волокон для опорной тарелки макс. Ø 125 мм, рассчитанные на частоту вращения не менее 11 000 об/мин и окружную скорость 80 м/с.

Максимальная толщина круга для обдирочного шлифования — 6,4 мм, максимальная толщина круга для абразивной резки — 3 мм.

**ВНИМАНИЕ!** Для резки и штробления с использованием абразивных отрезных кругов всегда используйте стандартный защитный кожух с передней накладкой или полностью закрытый пылезащитный кожух.

### Круги

	Область применения	Условные обозначения	Базовый материал (основание)
Абразивный отрезной круг	абразивная резка, штробление	AC-D	обработка металла
Алмазный отрезной круг	абразивная резка, штробление	DC-TP, DC-D (SPX, SP, P)	обработка минеральных материалов
Абразивный обдирочный круг	обдирочное шлифование	AG-D, AF-D, AN-D	обработка металла



	Область применения	Условные обозначения	Базовый материал (основание)
Алмазный обдирочный круг	обдирочное шлифование	DG-CW (SPX, SP, P)	обработка минеральных материалов
Алмазная коронка	сверление керамической плитки	DD-M14	обработка минеральных материалов

#### Назначение кругов и используемой оснастки

Поз.	Оснастка	AC-D	AG-D	AF-D	AN-D	DG-CW	DC-D	DD-M14
A	Защитный кожух	X	X	X	X	X	X	X
B	Передняя накладка (в комбинации с A)	X	—	—	—	—	X	—
C	Пылезащитный кожух (для шлифования) DG-EX 125/5"	—	—	—	—	X	—	—
D	Пылезащитный кожух (для отрезания) DC-EX 125/5"C (в комбинации с A)	—	—	—	—	—	X	—
E	Боковая рукоятка	X	X	X	X	X	X	X
F	Рукоятка-скоба DCBG 125 (опция для E)	X	X	X	X	X	X	X
G	Зажимная гайка	X	X	X	X	X	X	—
H	Зажимной фланец	X	X	X	X	X	X	—
I	<b>Kwik lock</b> (опция для G)	X	X	X	X	—	X	—

## 5 Технические данные

	AG 125-A22
Номинальное напряжение	21,6 В
Номинальная частота вращения	9 500 об/мин
Максимальный диаметр круга	125 мм
Масса по EPTA Procedure 01 с аккумулятором B22/8.0	3,3 кг
Резьба шпинделя	M14
Длина шпинделя	22 мм

### 5.1 Данные по шуму и вибрациям согласно EN 60745

Приводимые здесь значения уровня звукового давления и вибрации были измерены согласно стандартизированной процедуре измерения и могут использоваться для сравнения электроинструментов между собой. Они также подходят для предварительной оценки вредных воздействий. Указанные данные применимы к основным областям применения электроинструмента. Однако, если электроинструмент используется для других целей, с другими рабочими (сменными) инструментами или в случае его неудовлетворительного технического обслуживания, данные могут быть иными. Вследствие этого в течение всего периода работы электроинструмента возможно значительное увеличение вредных воздействий. Для точного определения вредных воздействий следует также учитывать промежутки времени, в течение которых электроинструмент находится в выключенном состоянии или работает вхолостую. Вследствие этого в течение всего периода работы электроинструмента возможно заметное уменьшение вредных воздействий. Примите дополнительные меры безопасности для защиты пользователя от воздействия возникающего шума и/или вибраций, например: техническое обслуживание электроинструмента и рабочих инструментов, сохранение тепла рук, правильная организация рабочих процессов.

#### Данные о шуме

Значение уровня звукового давления ( $L_{pA}$ )	83 дБ(A)
Погрешность уровня звукового давления ( $K_{pA}$ )	3 дБ(A)



Уровень звуковой мощности ( $L_{WA}$ )	94 дБ(А)
Погрешность уровня звуковой мощности ( $K_{WA}$ )	3 дБ(А)

#### Данные о вибрации

Использование в других целях, например, для резки (отрезания), может привести к отклонениям значений вибрации.

Шлифование поверхности электроинструментом с виброгасящей рукояткой ( $a_{h,AG}$ )	3,8 м/с <sup>2</sup>
Коэффициент погрешности (К)	1,5 м/с <sup>2</sup>

## 5.2 Аккумулятор

Рабочее напряжение аккумулятора	21,6 В
Температура окружающей среды при эксплуатации	-17 °C ... 60 °C
Температура хранения	-20 °C ... 40 °C
Температура аккумулятора в начале зарядки	-10 °C ... 45 °C

## 6 Ввод в эксплуатацию

### 6.1 Установка аккумулятора

#### ОСТОРОЖНО

**Опасность травмирования** вследствие непреднамеренного пуска угловой шлифмашины.

- ▶ Перед установкой аккумулятора убедитесь в том, что угловая шлифмашина выключена и заблокирована от включения.

#### ОСТОРОЖНО

**Электрическая опасность!** Вследствие загрязнения контактов возможно короткое замыкание.

- ▶ Перед установкой аккумулятора убедитесь в том, что его контакты и контакты в угловой шлифмашине чистые.

#### ОСТОРОЖНО

**Опасность травмирования** Если аккумулятор установлен неправильно, он может упасть.

- ▶ Проверяйте надежность фиксации аккумулятора в электроинструменте во избежание его падения и возможной опасности вследствие этого для вас и других лиц.

- ▶ Установите аккумулятор и проверьте надежность его фиксации в электроинструменте.

### 6.2 Извлечение аккумулятора

- ▶ Извлеките аккумулятор.

### 6.3 Установка боковой рукоятки

- ▶ Ввинтите боковую рукоятку в одну из предусмотренных для нее резьбовых втулок.

### 6.4 Установка/снятие защитного кожуха

#### ОСТОРОЖНО

**Опасность травмирования** Рабочий инструмент может нагреваться или иметь острые кромки.

- ▶ В ходе установки/снятия, регулировки и устранения неисправностей пользуйтесь защитными перчатками.

- ▶ Ознакомьтесь с инструкцией по монтажу соответствующего защитного кожуха.



#### 6.4.1 Установка защитного кожуха



Защитный кожух имеет специальные выступы, которые позволяют устанавливать только подходящий к электроинструменту кожух. Специальные выступы защитного кожуха фиксируются в пазах, расположенных на шейке шпинделя электроинструмента.

1. Установите защитный кожух на шейку шпинделя таким образом, чтобы обе отметки в виде треугольника (на электроинструменте и на защитном кожухе) располагались напротив друг друга.
2. Прижмите защитный кожух к шейке шпинделя.
3. Нажмите кнопку (рас)фиксации кожуха.
4. Поворачивайте защитный кожух, пока он не будет зафиксирован и кнопка (рас)фиксации кожуха не вернется в исходное положение.

#### 6.4.2 Регулировка положения защитного кожуха

- ▶ Нажмите кнопку (рас)фиксации кожуха и поворачивайте защитный кожух, пока он не зафиксируется в нужном положении.

#### 6.4.3 Снятие защитного кожуха

1. Нажмите кнопку (рас)фиксации кожуха и поворачивайте защитный кожух до тех пор, пока обе отметки в виде треугольника на электроинструменте и на защитном кожухе не установятся напротив друг друга.
2. Снимите защитный кожух.

#### 6.5 Установка/снятие передней накладки



При использовании передней накладки она устанавливается на защитный кожух.

1. Установите переднюю накладку закрытой стороной на стандартный защитный кожух до фиксации крепления.
2. Для снятия передней накладки расфиксируйте ее крепление и снимите накладку со стандартного защитного кожуха.

#### 6.6 Позиционирование пылезащитного кожуха (для удаления пыли при резке) DC-EX 125/5"С

- ▶ Позиционируйте компактный кожух таким образом, чтобы выключатель был легко доступен для использования в любое время.

#### 6.7 Установка/снятие рабочих инструментов



##### **ОСТОРОЖНО**

**Опасность травмирования** Рабочий инструмент может нагреваться.

- ▶ При смене рабочего инструмента пользуйтесь защитными перчатками.



Алмазные круги подлежат замене сразу после заметного снижения их производительности резания/шлифования. Как правило, замена необходима, если высота алмазных сегментов становится меньше 2 мм.

Круги других типов подлежат замене, как только станет заметным снижение их производительности резания или если детали угловой шлифмашины (за исключением самого круга) начнут казаться обрабатываемого материала во время работы.

Абразивные круги подлежат замене по истечении их срока эксплуатации.

#### 6.7.1 Установка рабочего инструмента

1. Извлеките аккумулятор. → страница 125



2. Проверьте, установлено ли кольцо круглого сечения в зажимном фланце и не имеет ли оно повреждений.

#### Результат

Кольцо круглого сечения повреждено.

Кольцо круглого сечения в зажимном фланце отсутствует.

- ▶ Установите новый зажимной фланец с кольцом круглого сечения.

3. Плотно (без зазоров, без возможности проворачивания) насадите зажимной фланец на шпindelь.
4. Установите рабочий инструмент.

### ПРЕДУПРЕЖДЕНИЕ

**Опасность травмирования** При торможении двигателем электроинструмента возможна расфиксация рабочего инструмента.

- ▶ Подождите, пока рабочий инструмент остановится, прежде чем брать руками за него или за зажимную гайку.
- ▶ Затяните рабочий инструмент и зажимной фланец с помощью зажимной гайки таким образом, чтобы при торможении двигателем электроинструмента исключить расфиксацию любых деталей на шпindelе.

5. Привинтите зажимную гайку с учетом установленного рабочего инструмента.
6. Нажмите и удерживайте нажатой кнопку блокировки шпindelя.
7. С помощью зажимного ключа затяните зажимную гайку, после чего отпустите кнопку блокировки шпindelя и снимите зажимный ключ.

#### 6.7.2 Снятие рабочего инструмента

1. Извлеките аккумулятор. → страница 125

### ОСТОРОЖНО

**Опасность излома и разрушения!** При нажатии кнопки блокировки шпindelя во время его вращения возможна расфиксация рабочего инструмента.

- ▶ Нажимайте кнопку блокировки шпindelя только при неподвижном шпindelе.
2. Нажмите и удерживайте нажатой кнопку блокировки шпindelя.
  3. Ослабьте зажимную гайку, установив на нее зажимный ключ и повернув его против часовой стрелки.
  4. Отожмите кнопку блокировки шпindelя и снимите рабочий инструмент.

#### 6.7.3 Установка рабочего инструмента с быстрозажимной гайкой **Kwik lock**

### ОСТОРОЖНО

**Опасность излома!** Вследствие значительного износа быстрозажимная гайка **Kwik lock** может сломаться.

- ▶ Следите за тем, чтобы во время работы быстрозажимная гайка **Kwik lock** не соприкасалась с основанием.
- ▶ Не используйте поврежденную быстрозажимную гайку **Kwik lock**.



Вместо зажимной гайки можно также использовать быстрозажимную гайку **Kwik lock** (опция). Она позволяет менять рабочие инструменты без использования дополнительного инструмента.

1. Извлеките аккумулятор. → страница 125
2. Очистите зажимной фланец и быстрозажимную гайку.
3. Установите зажимной фланец на шпindelь.
4. Установите рабочий инструмент.
5. Проверните быстрозажимную гайку **Kwik lock** до ее посадки на рабочий инструмент.
  - ▶ В навинченном состоянии видна надпись **Kwik lock**.
6. Нажмите и удерживайте нажатой кнопку блокировки шпindelя.
7. Проворачивайте рабочий инструмент рукой по часовой стрелке, пока быстрозажимная гайка **Kwik lock** не будет затянута до упора; после этого отпустите кнопку блокировки шпindelя.

#### 6.7.4 Снятие рабочего инструмента с быстрозажимной гайкой **Kwik lock**

1. Извлеките аккумулятор. → страница 125



**⚠ ОСТОРОЖНО**

**Опасность излома и разрушения!** При нажатии кнопки блокировки шпинделя во время его вращения возможна расфиксация рабочего инструмента.

- ▶ Нажимайте кнопку блокировки шпинделя только при неподвижном шпинделе.
- 
2. Нажмите и удерживайте нажатой кнопку блокировки шпинделя.
  3. Отпустите быстрозажимную гайку **Kwik lock**, повернув рукой быстрозажимную гайку против часовой стрелки.
  4. Если быстрозажимная гайка **Kwik lock** не отвинчивается вручную, установите зажимный ключ на быстрозажимную гайку и поверните его в направлении против часовой стрелки.



Категорически запрещается использование газового (трубного) ключа, чтобы не допустить повреждения быстрозажимной гайки **Kwik lock**.

5. Отожмите кнопку блокировки шпинделя и снимите рабочий инструмент.

**6.7.5 Установка сверлильной коронки 12**

1. Извлеките аккумулятор. → страница 125
2. Установите боковую рукоятку. → страница 125
3. Установите защитный кожух. → страница 126
4. Установите сверлильную коронку и закрутите ее от руки.
5. Нажмите и удерживайте нажатой кнопку блокировки шпинделя.
6. Затяните коронку с помощью подходящего гаечного ключа.
7. После этого отпустите кнопку блокировки шпинделя и снимите гаечный ключ.

**7 Управление****7.1 Шлифование****⚠ ОСТОРОЖНО**

**Опасность травмирования** Рабочий инструмент может внезапно заклинить.

- ▶ Работать с электроинструментом нужно только с боковой рукояткой (в виде опции доступна рукоятка-скоба), удерживая его обеими руками.

**7.2 Абразивная резка**

- ▶ При абразивной резке работайте с умеренной подачей, не допуская перекоса электроинструмента или абразивного отрезного круга (под углом прим. 90° к плоскости разделения).



Профили и небольшие трубы прямоугольного сечения лучше всего (от)резать на участках с минимальным поперечным сечением.

**7.3 Обдирочное шлифование****⚠ ОСТОРОЖНО**

**Опасность травмирования** Абразивный круг может разлететься на части, что может привести к получению травм.

- ▶ Использовать абразивные отрезные круги для обдирочного шлифования запрещается.
- 
- ▶ Выполняйте подачу (вперед–назад) электроинструмента под углом в диапазоне от 5° до 30° с небольшим нажимом.
    - ▶ Благодаря этому заготовка не нагреется слишком сильно, не изменится цвет ее поверхности и на ней не останется никаких следов обработки.

**7.4 Включение электроинструмента с выключателем с кнопкой блокировки включения 13**

С помощью выключателя с кнопкой блокировки включения можно контролировать функцию включения электроинструмента и тем самым предотвращать его непреднамеренный запуск.



1. Переведите кнопку блокировки включения вперед.
  - ▶ Выключатель разблокируется.
2. Нажмите основной выключатель до упора.
  - ▶ Двигатель электроинструмента работает при этом с частотой вращения без нагрузки.

### 7.5 Выключение электроинструмента с выключателем с кнопкой блокировки включения

- ▶ Отпустите основной выключатель.
  - ▶ Блокировка включения автоматически переключится в активное положение.

## 8 Уход и техническое обслуживание

### ПРЕДУПРЕЖДЕНИЕ

**Опасность травмирования при установленном аккумуляторе !**

- ▶ Перед проведением любых работ по уходу и обслуживанию всегда извлекайте аккумулятор!

#### Уход за электроинструментом

- Осторожно удаляйте налипшую грязь.
- Осторожно очищайте вентиляционные прорези сухой щеткой.
- Очищайте корпус только с использованием слегка увлажненной ткани. Не используйте средства по уходу с содержанием силикона, так как они могут повредить пластмассовые детали.

#### Уход за литий-ионными аккумуляторами

- Аккумулятор должен быть чистым, без следов масла и смазки.
- Очищайте корпус только с помощью слегка увлажненной ткани. Не используйте средства по уходу с содержанием силикона, так как они могут повредить пластмассовые детали.
- Не допускайте попадания влаги внутрь инструмента.

#### Техническое обслуживание

- Регулярно проверяйте все видимые части электроинструмента на отсутствие повреждений, а элементы управления — на исправное функционирование.
- При повреждениях и/или функциональных сбоях не используйте электроинструмент. Сразу сдавайте его в сервисный центр **Hilti** для ремонта.
- После ухода за электроинструментом и его технического обслуживания установите все защитные приспособления на место и проверьте их исправное функционирование.



Для обеспечения безопасной эксплуатации используйте только оригинальные запасные части и расходные материалы. Допущенные нами запасные части, расходные материалы и принадлежности для данного устройства вы можете найти в **Hilti Store** или на сайте **www.hilti.group**.

## 9 Транспортировка и хранение аккумуляторных электроинструментов

### Транспортировка

#### ОСТОРОЖНО

**Непреднамеренное включение в ходе транспортировки !**

- ▶ При транспортировке своих электроинструментов всегда отсоединяйте от них аккумуляторы!
- ▶ Извлеките аккумуляторы.
- ▶ Категорически запрещается транспортировать аккумуляторы без упаковки (бестарным способом).
- ▶ После продолжительной транспортировки проверяйте электроинструмент и аккумуляторы перед использованием на отсутствие повреждений.

### Хранение

#### ОСТОРОЖНО

**Непреднамеренное повреждение вследствие неисправных или протекающих аккумуляторов !**

- ▶ При хранении своих электроинструментов всегда отсоединяйте от них аккумуляторы!
- ▶ По возможности храните электроинструмент и аккумуляторы в сухом и прохладном месте.
- ▶ Никогда не оставляйте аккумуляторы на солнце, на нагревательных/отопительных элементах или за стеклом.



- ▶ Храните электроинструмент и аккумуляторы в сухом виде в недоступном для детей и других лиц, не допущенных к работе с электроинструментом, месте.
- ▶ После длительного хранения перед использованием проверяйте электроинструмент и аккумуляторы на отсутствие повреждений.

## 10 Помощь при неисправностях

В случае неисправностей, которые не указаны в этой таблице или которые вы не можете устранить самостоятельно, обращайтесь в ближайший сервисный центр **Hilti**.

### 10.1 Поиск и устранение неисправностей

Неисправность	Возможная причина	Решение
Аккумулятор разряжается быстрее, чем обычно.	Очень низкая температура окружающей среды	▶ Обеспечьте постепенный нагрев аккумулятора до комнатной температуры.
При установке аккумулятора не слышно характерного щелчка.	Грязь на фиксирующих выступях аккумулятора.	▶ Очистите фиксирующие выступы и установите аккумулятор повторно.
Мигает один светодиод. Электроинструмент не функционирует.	Аккумулятор разряжен.	▶ Замените аккумулятор и зарядите разряженный аккумулятор.
	Аккумулятор слишком холодный или слишком горячий	▶ Обеспечьте постепенный нагрев или постепенное охлаждение аккумулятора до комнатной температуры.
Мигают все четыре светодиода. Электроинструмент не функционирует.	Электроинструмент перегружен.	▶ Отпустите выключатель и нажмите его снова. Дайте поработать электроинструменту в течение примерно 30 с на холостом ходу.
Чрезмерный нагрев угловой шлифмашины или аккумулятора.	Электрическая неисправность	▶ Немедленно выключите электроинструмент, извлеките аккумулятор и наблюдайте за ним, дайте ему остыть и свяжитесь с сервисной службой <b>Hilti</b> .
Электроинструмент работает не на полную мощность.	Установлен аккумулятор с недостаточной емкостью.	▶ Используйте аккумулятор с достаточной емкостью.
Не срабатывает функция торможения двигателя.	Аккумулятор разряжен.	▶ Замените аккумулятор и зарядите разряженный аккумулятор.
	Кратковременная перегрузка электроинструмента	▶ Отпустите выключатель и нажмите его снова.

## 11 Утилизация

Большинство материалов, из которых изготовлены изделия **Hilti**, подлежит вторичной переработке. Перед утилизацией следует тщательно рассортировать материалы (для удобства их последующей переработки). Во многих странах фирма **Hilti** уже организовала прием бывших в использовании электрических и электронных устройств для утилизации. Дополнительную информацию по этому вопросу можно получить в отделе по обслуживанию клиентов или у консультантов по продажам фирмы **Hilti**.

### Утилизация аккумуляторов

Вследствие выхода газов или жидкостей при неправильной утилизации аккумуляторов возможна угроза для здоровья.

- ▶ Не пересылайте поврежденные аккумуляторы!





- ▶ Закрывайте аккумуляторные контакты не проводящим ток материалом, чтобы избежать коротких замыканий.
- ▶ Утилизируйте аккумуляторы так, чтобы исключить их попадание в руки детей.
- ▶ Утилизируйте аккумулятор через ближайший **Hilti Store** или обратитесь в специализированную фирму по утилизации.



- ▶ Не выбрасывайте электрические инструменты, электронные устройства/приборы и аккумуляторы вместе с обычным мусором!

## 12 RoHS (Директива об ограничении применения опасных веществ)

По этим ссылкам доступна таблица опасных веществ: [qr.hilti.com/r3958236](http://qr.hilti.com/r3958236).

Ссылку в виде QR-кода на таблицу опасных веществ согласно директиве RoHS см. в конце этого документа.

## 13 Гарантия производителя

- ▶ С вопросами относительно гарантийных условий обращайтесь в ближайшее представительство **Hilti**.

# Түпнұсқа пайдалану бойынша нұсқаулық

## 1 Құжаттама бойынша деректер

### 1.1 Бұл құжаттама туралы



#### Импорттауыш және өндірушінің өкілетті ұйымы

- (RU) Ресей Федерациясы  
"Хилти Дистрибьюшн ЛТД" АҚ, 141402, Мәскеу облысы, Химки қ., Ленинградская көш., ғим. 25
- (BY) Беларусь Республикасы  
222750, Минск облысы, Дзержинский ауданы, Р-1, 18-ші км, 2 (Слободка ауылының жанында), 1-34 бөлімі
- (KZ) Қазақстан Республикасы  
Қазақстан Республикасы, индекс 050011, Алматы қ., Пугачев көш., 4-үй
- (KG) Қырғыз Республикасы  
"Т AND Т" ЖШҚ, 720021, Қырғызстан, Бішкек қ., Ибраимов көш., 29 А үйі
- (AM) Армения Республикасы  
Эйч-Кон ЖШҚ, Армения Республикасы, Ереван қ., Бабаян көш., 10/1 үйі

Өндірілген елі: жабдықтағы белгілеу тақтайшасын қараңыз.

Өндірілген күні: жабдықтағы белгілеу тақтайшасын қараңыз.

Тиісті сертификатты мына мекенжай бойынша табуға болады: [www.hilti.ru](http://www.hilti.ru)

Сақтау, тасымалдау және пайдалану шарттарына пайдалану бойынша нұсқаулықта белгіленгеннен басқа арнайы талаптар қойылмайды.

Өнімнің қызмет ету мерзімі 5 жыл.

- Іске қосу алдында осы құжаттаманы оқып шығыңыз. Бұл қауіпсіз жұмыс пен ақаусыз басқару үшін алғышарт болып табылады.
- Осы құжаттамадағы және өнімдегі қауіпсіздік және ескерту нұсқауларын орындаңыз.
- Пайдалану бойынша нұсқаулықты әрдайым өнімде сақтаңыз және оны басқа тұлғаларға тек осы нұсқаулықпен бірге тапсырыңыз.

### 1.2 Шартты белгілердің анықтамасы

#### 1.2.1 Ескерту

Ескертулер өнімді қолдану барысындағы қауіптер туралы ескертеді. Төмендегі сигналдық сөздер пайдаланылады:



**ҚАУІПТІ**

**ҚАУІПТІ !**

- ▶ Ауыр жарақаттарға әкелетін немесе өмірге қауіп төндіретін тікелей қауіпті жағдайдың жалпы белгіленуі.

**ЕСКЕРТУ**

**ЕСКЕРТУ !**

- ▶ Ауыр жарақаттарға әкелуі немесе өмірге қауіп төндіруі мүмкін ықтимал қауіпті жағдайдың жалпы белгіленуі.

**АБАЙЛАҢЫЗ**

**АБАЙЛАҢЫЗ !**

- ▶ Жеңіл жарақаттарға немесе аспаптың зақымдалуына әкелуі мүмкін ықтимал қауіпті жағдайдың жалпы белгіленуі.

**1.2.2 Құжаттамадағы белгілер**

Бұл құжаттамада төмендегі белгілер пайдаланылады:

	Пайдалану алдында пайдалану бойынша нұсқаулықты оқу қажет
	Аспапты пайдалану бойынша нұсқаулар және басқа пайдалы ақпарат
	Қайта пайдалануға болатын материалдармен жұмыс істеу
	Электр аспаптарды және аккумуляторларды тұрмыстық қоқысқа тастамаңыз

**1.2.3 Суреттердегі белгілер**

Суреттерде төмендегі белгілер қолданылады:

	Бұл сандар осы нұсқаулықтың басындағы әр суретке сәйкес келеді
	Нөмірлеу суреттегі жұмыс қадамдарының реттілігін білдіреді және мәтіндегі жұмыс қадамдарынан өзгешеленуі мүмкін
	Позиция нөмірлері <b>Шолу</b> суретінде қолданылады және <b>Өнімге шолу</b> мақаласындағы шартты белгілердің нөмірлеріне сілтейді
	Аталмыш белгілер өнімді қолдану барысында айрықша назарыңызды аудартады.

**1.3 Өнімге қатысты белгілер**

**1.3.1 Өнімдегі белгілер**

Өнімде төмендегі белгілер пайдаланылуы мүмкін:

	Қорғауыш көзілдірікті киіңіз
n	Номиналды айналу жиілігі
/min	Минут ішіндегі айналымдар
RPM	Минут ішіндегі айналымдар
∅	Диаметр
==	Тұрақты ток
Li-Ion	Литий-иондық аккумулятор



	Пайдаланылған <b>HilTI</b> литий-ион аккумуляторларының сериясы. <b>Қолдану мақсаты</b> бөліміндегі нұсқауларды орындаңыз.
	Аккумуляторды еш жағдайда соқпа құрал ретінде пайдаланбаңыз.
	Аккумуляторды құлатып жібермеңіз. Соққы тиген немесе басқа жолмен зақымдалған аккумуляторды пайдаланбаңыз.
	Құрылғы iOS және Android платформаларымен үйлесімді NFC технологиясын қолдайды.

#### 1.4 Өнім туралы ақпарат

**HILTI** өнімдері кәсіби пайдаланушыларға арналған және оларды тек қана өкілетті, білікті қызметкерлер пайдалануы, күтім және техникалық қызмет көрсетуі тиіс. Қызметкерлер қауіпсіздік техникасы бойынша арнайы нұсқау алуы керек. Өнім мен оның қосалқы құралдарын басқа мақсатта қолдану немесе олардың оқытылмаған қызметкерлердің тарапынан пайдаланылуы қауіпті.

Түр сипаттамасы мен сериялық нөмір фирмалық тақтайшада берілген.

- Сериялық нөмірді төмендегі кестеге көшіріп қойыңыз. Өнім туралы мәліметтерді өкілдігімізге немесе қызмет көрсету бөлімімізге сұрау беру арқылы алуға болады.

##### Өнім туралы мәліметтер

Бұрыштық тегістеу машинасы	AG 125-A22
Буын	02
Сериялық нөмір	

#### 1.5 Сәйкестілік декларациясы

Біз осы нұсқаулықта сипатталған өнімнің қолданыстағы директивалар мен нормативтерге сәйкес келетінін толық жауапкершілікпен жариялаймыз. Сәйкестілік декларациясының суреті осы құжаттаманың соңында орналасқан.

Техникалық құжаттама мына жерде сақталған:

HilTI Entwicklungsgesellschaft mbH | Zulassung Geräte | Hiltistraße 6 | 86916 Kaufering, DE

## 2 Қауіпсіздік

### 2.1 Қауіпсіздік техникасы бойынша нұсқаулар

#### 2.1.1 Электр құралдары үшін қауіпсіздік техникасы бойынша жалпы нұсқаулар

**⚠ ЕСКЕРТУ!** Сақтық шаралары бойынша барлық нұсқауларды және нұсқауларды оқып шығыңыз. Төменде берілген нұсқауларды орындамау электр тогының соғуына, өртке әкелуі мүмкін және/немесе ауыр жарақаттарды тудыруы мүмкін.

Қауіпсіздік техникасы бойынша барлық нұсқауларды және нұсқауларды келесі пайдаланушы үшін сақтаңыз.

##### Жұмыс орны

- **Жұмыс орнындағы тазалықты және тәртіпті қадағалаңыз.** Жұмыс орнындағы ретсіздік және нашар жарық сәтсіз жағдайларға әкелуі мүмкін.
- **Жанғыш сұйықтықтар, газдар немесе шаң бар жарылыс қаупі бар аймақта электр құралын қолданбаңыз.** Жұмыс кезінде электр құралдары ұшқындар шығады және ұшқындар шаңды немесе буларды тұтандыруы мүмкін.
- **Балалардың және бөгде адамдардың жұмыс істеп тұрған электр құралына жақындауына рұқсат етпеңіз.** Жұмысқа көңіл бөлмегенде, электр құралын бақылау жоғалуы мүмкін.

##### Электр қауіпсіздігі

- **Денеңізді құбырлар, жылытқыштар, плиталар мен тоңазытқыштар сияқты жерге түйіп қалған беттерге тигізбеңіз.** Жерге қосылған заттарға тигенде электр тогы соғуының үлкен қаупі туындайды.
- **Электр құралдарын жаңбырдан немесе ылғал әсерінен сақтаңыз.** Электр құралына су тиюі нәтижесінде электр тогының соғу қаупі артады.

##### Адамдардың қауіпсіздігі

- **Ұқыпты болыңыз, әрекеттеріңізге көңіл бөліңіз және электр құралмен жұмыс істеуге дұрыс қараңыз.** Шаршаған кезде немесе есірткі, алкоголь не дәрі қабылдаған соң электр құралды



**қолданбаңыз.** Электр құралды қолданған кездегі зейінсіздік ауыр жарақаттарға апарып соғуы мүмкін.

- ▶ **Жеке қорғану құралдарын пайдаланыңыз және әрқашан міндетті түрде қорғауыш көзділдікті киіңіз.** Электр құралының түріне және пайдалану жағдайларына байланысты жеке қорғану құралдарын, мысалы, шаңнан қорғайтын респираторды, сырғымайтын аяқ киімді, қорғауыш шлемді, естуді қорғау құралдарын қолдану жарақаттану қаупін азайтады.
- ▶ **Электр құралының кездейсоқ қосылуын болдырмаңыз.** Электр құралды аккумуляторға жалғаудан, шығарудан немесе тасудан бұрын оның өшірулі екеніне көз жеткізіңіз. Электр құралды тасымалдағанда саусақтар сөндіргіште болатын немесе қосылған электр құрал желіге қосылатын жағдайлар сәтсіз жағдайларға әкелуі мүмкін.
- ▶ **Электр құралын қосу алдында реттеуші құрылғыларды және гайка кілтін алыңыз.** Электр құралының айналатын бөлігіндегі аспап немесе кілт жарақаттарға әкелуі мүмкін.
- ▶ **Жұмыс кезінде ыңғайсыз қалыптарға тұрмауға тырысыңыз. Үнемі тұрақты күйді және тепе-теңдікті сақтаңыз.** Бұл күтпеген жағдайларда электр құралын жақсырақ басқаруға мүмкіндік береді.
- ▶ **Арнайы киімді киіңіз. Өте бос киімді немесе әшекейлерді кимеңіз. Шашты, киімді және қолғапты электр құралының айналатын түйіндерінен сақтаңыз.** Бос киім, әшекейлер және ұзын шаш оларға ілінуі мүмкін.
- ▶ **Егер шанды жинау және кетіруге арналған құрылғыларды қосу қарастырылған болса, олар қосылғанына және мақсаты бойынша қолданылып жатқанына көз жеткізіңіз.** Шанды кетіру модулін пайдалану шаңның зиянды әсерін азайтады.

#### **Электр құралын қолдану және оған қызмет көрсету**

- ▶ **Аспапқа шамадан тыс жүктеме түсуін болдырмаңыз. Нақ осы жұмысқа арналған электр құралын қолданыңыз.** Бұл ережені сақтау көрсетілген қуат диапазонында жоғарырақ жұмыс сапасын және қауіпсіздігін қамтамасыз етеді.
- ▶ **Сөндіргіші бұзылған электр құралын қолданбаңыз.** Қосу немесе өшіру қиын электр құралы қауіпті және оны жөндеу керек.
- ▶ **Аспапты орнату жұмыстарын орындаудан, керек-жарақтарды ауыстырудан немесе аспапты сақтауға қояндан бұрын аккумуляторды шығарып алыңыз.** Бұл сақтық шарасы электр құралдың кездейсоқ қосылуын болдырмайды.
- ▶ **Қолданылмайтын электр құралдарды балалар жетпейтін жерде сақтаңыз.** Электр құралды оны пайдалана алмайтын немесе осы нұсқауларды оқып шықпаған тұлғаларға бермеңіз. Электр құралдар тәжірибесі жоқ пайдаланушылардың қолында қауіпті болады.
- ▶ **Электр құралдарға мұқият күтім көрсетіңіз. Айналмалы бөліктердің мүлтіксіз қызмет ететінін, олардың жүрісінің жеңілдігін, барлық бөліктердің тұтастығын және электр құралдың жұмысына теріс әсер етуі мүмкін зақымдардың жоқтығын тексеріңіз. Аспаптың зақымдалған бөліктерін оны қолдану алдында жөндеуге өткізіңіз.** Электр құралға техникалық қызмет көрсету ережелерін сақтамау көп сәтсіз жағдайлардың себебі болып табылады.
- ▶ **Кескіш аспаптардың үшкір және таза болуын қадағалау керек.** Жұмыс күйінде сақталатын кескіш аспаптардың сыналануы сиректеу болады, оларды басқару жеңілдеу.
- ▶ **Электр құралын, саймандарды, көмекші құрылғыларды және т.б. нұсқауларға сай пайдаланыңыз.** Бұл кезде жұмыс жағдайларын және орындалатын жұмыстың сипатын ескеріңіз. Электр құралдарын басқа мақсаттарда қолдану қауіпті жағдайларға әкелуі мүмкін.

#### **Аккумуляторлық аспапты пайдалану және оған қарау**

- ▶ **Аккумуляторды тек өндіруші ұсынған зарядтағыш құрылғылардың көмегімен зарядтаңыз.** Зарядтағыш құрылғыны тиісті емес аккумулятор түрлерін зарядтау үшін қолданғанда өрт туындауы мүмкін.
- ▶ **Аспаппен жұмыс істеу үшін тек тиісті аккумуляторларды қолданыңыз.** Басқа аккумуляторларды пайдалану жарақаттарға әкелуі және өрт тудыруы мүмкін.
- ▶ **Пайдаланылмайтын аккумуляторларды контакттардың тұйықталуының себебі болуы мүмкін скрепалардан, тындырдан, кілттерден, инелерден, винттерден және басқа металл заттардан ары сақтаңыз.** Аккумулятор контактарының тұйықталуы күйіктерге немесе тұтануға әкелуі мүмкін.
- ▶ **Аккумулятормен тиісті емес түрде жұмыс істегенде одан электролит ағып шығуы мүмкін. Оған тиюді болдырмаңыз.** Аккумулятордан ағып шыққан электролит тері тітіркенуін немесе күйіктерді тудыруы мүмкін. Кездейсоқ тигенде сумен шайыңыз. Электролит көзге тигенде дәрігер көмегіне жүгініңіз.



## Қызмет

- ▶ **Электр құралды жөндеуді тек түпнұсқа қосалқы бөлшектерді қолданатын білікті қызметкерлерге сеніп тапсырыңыз.** Бұл электр құралды қауіпсіз күйде сақтауды қамтамасыз етеді.

### 2.1.2 Тегістеу және зімпара дискілерімен тегістеу, сым қылшақтармен жұмыс істеу, жылтырату және кесу дискілерімен жұмыс істеу кезіндегі қауіпсіздік техникасы туралы жалпы нұсқаулар:

- ▶ **Бұл электр құрал тегістеу машинасы мен кесу машинасы ретінде қолдануға арналған. Аспаппен бірге алынған барлық қауіпсіздік техникасы туралы нұсқауларды, нұсқауларды, схемаларды және деректерді орындаңыз.** Төменде берілен нұсқауларды орындамау электр тогының соғуына, өртке және/немесе ауыр жарақаттарға әкелуі мүмкін.
- ▶ **Бұл электр құрал зімпара қағазын қолдануға, сым қылшақпен жұмыс істеуге және жылтыратуға арналмаған.** Электр құралды басқа мақсатта қолдану қауіпті жағдайлардың пайда болуына әкелуі мүмкін және жарақаттандудың себебі болуы мүмкін.
- ▶ **Өндіруші арнайы осы электр құрал үшін жасамаған немесе ұсынбаған керек-жарақтарды қолданбаңыз.** Сіздің электр құралда қандай да сайманды бекіте алғаныңыз оны қауіпсіз пайдалануға кепіл бермейді.
- ▶ **Алмалы-салмалы құралда көрсетілген шекті айналу жиілігі электр құралда көрсетілген ең көп айналу жиілігінен азырақ болмауы керек.** Рұқсат етілгеннен көбірек жиілікпен айналатын жұмыс аспабы бұзылуы мүмкін.
- ▶ **Алмалы-салмалы құралдың сыртқы диаметрі және қалыңдығы электр құралдың өлшемдеріне сай болуы керек.** Өлшемдері қажеттіге сай келмейтін жұмыс аспаптарын жеткілікті дәрежеде экрандау немесе басқару мүмкін емес.
- ▶ **Бұрандалы алмалы-салмалы аспаптар тегістеу шпинделінің бұрандасына сай болуы керек.** Фланецпен орнатылатын алмалы-салмалы аспаптарда алмалы-салмалы аспаптың тесік диаметрі фланецтің патрон диаметріне сай болуы керек. Электр құралда дұрыс бекітілмеген алмалы-салмалы аспаптар бір қалыпта айланбай, қатты дірілдеп бақылау жоғалтуына алып келуі мүмкін.
- ▶ **Зақымдалған жұмыс аспаптарын қолданбаңыз.** Әр пайдалану алдында тегістеу дискілерінде сынықтар мен сызаттар, тегістеу тарелкаларында сызаттар, тозу немесе қатты сырылу, сым қылшақтарында сыну немесе үзілу бар-жоғын тексеріңіз. Электр құрал немесе жұмыс аспабы құлағаннан кейін оларда зақымдар бар-жоғын тексеріңіз немесе жұмыс аспабын ауыстыруды орындаңыз. Айналатын алмалы-салмалы аспапты қолданғанда оператор мен жанында тұрған тұлғалар одан қауіпсіз қашықтықта болуы керек. Аспапқа бір минут бойы ең көп айналу жиілігімен жұмыс істеуге мүмкіндік беру керек. Ақаулы жұмыс аспаптары көбінесе осы бақылау уақыт аралығында істен шығады.
- ▶ **Жеке қорғану құралдарын пайдаланыңыз.** Жағдайларға байланысты қорғауыш масканы немесе қорғауыш көзілдірікті қолданыңыз. Қажет болғанда шаңнан қорғайтын масканы, қорғауыш құлаққапты, қорғауыш қолғаптарды немесе сізді өңдеп жатқан материалдың майда бөлшектерінен қорғайтын арнайы алжапқышты қолданыңыз. Әр түрлі жұмыстарды орындау кезінде пайда болатын бөлшектердің көзге тиюінен қорғауды қамтамасыз ету керек. Жұмыс кезінде пайда болатын шаңды респиратордың шаңнан қорғайтын сүзгіні ұстап тұруы керек. Қатты шу тым көп әсер еткенде есту қабілеті жоғалуы мүмкін.
- ▶ **Бөгде тұлғалар жұмыс аймағынан қауіпсіз қашықтықта болуын қадағалаңыз.** Жұмыс аймағындағы кез келген адам жеке қорғану құралдарын қолдануы керек. Өңдеп жатқан бөлшектердің немесе бұзылған жұмыс аспаптарының сынықтары шетке ұшуы және тіпті жұмыс аймағының шектерінен тыс жарақаттауы мүмкін.
- ▶ **Пайдаланатын сайманыңыз көзден таса электр желісіне тиіп кетуі мүмкін болса, аспаптың арнайы жеке бөлінген жерінен ғана ұстаңыз.** Электр сымдарына тигенде аспаптың қорғалмаған металл бөлшектері кернеу астында болады. Бұл электр тогының соғуына әкелуі мүмкін.
- ▶ **Желілік кабельді айналатын алмалы-салмалы аспаптардан қауіпсіз қашықтықта ұстаңыз.** Аспапты басқаруды жоғалту жағдайында желілік кабель кесілуі, ал қол айналатын жұмыс аспабының аймағына тартылып кетуі мүмкін.
- ▶ **Электр құралды алмалы-салмалы аспап толық тоқтағанша алмаңыз.** Айналатын жұмыс аспабы тірек бетіне тиіп, осының салдарынан сіз электр құралды басқаруды жоғалтуыңыз мүмкін.
- ▶ **Тасымалдау кезінде электр құралдың қосылуын болдырмаңыз.** Айналатын алмалы-салмалы аспап кездейсоқ киіміңіздің жиектерін іліп алуы және айналғанда сізді жарақаттауы мүмкін.
- ▶ **Электр құралдың желдету саңылауларын тұрақты түрде тазаланыңыз.** Қозғалтқыш корпусына тартылатын металл шаңының артық концентрациясы электр тогының соғу қаупін тудыруы мүмкін.



- ▶ **Оңай тұтанатын материалдардың жанында электр құралды қолданбаңыз.** Ұшқындардың тиюі бұл материалдарды тұтандыруы мүмкін.
- ▶ **Пайдалану үшін салқындату сұйықтықтары қажет алмалы-салмалы аспаптарды қолданбаңыз.** Суды немесе басқа салқындату сұйықтықтарын қолдану электр тогының соғу қаупіне әкелуі мүмкін.

### **Қайтарым және тиісті нұсқаулар**

Қайтарым айналып жатқан аспап (тегістеу дискісі, тегістеу тарелкасы, сым қылшақ және т.б.) іліну немесе бұғатталу кезінде пайда болатын күтпеген реакция болып табылады. Іліну немесе бұғатталу айналып жатқан жұмыс аспабының кенет тоқтауына әкеледі. Бұғатталу орнында жұмыс аспабының қарама-қарсы бағытта айналуына байланысты электр құралдың басқарылмайтын қозғалысы орын алады.

Өңдеп жатқан бөлшекте тегістеу дискісі ілінгенде немесе бұғатталғанда, бөлшекке салынатын тегістеу дискісінің жиегі тұрып қалуы мүмкін. Бұл дискінің сынуына әкеледі немесе қайтарымды тудырады. Бұл кезде тегістеу дискісі оператор бағытында немесе оған кері қозғалады (бұғатталу сәтінде дискінің айналу бағытына байланысты). Сонымен бірге, бұл тегістеу дискісінің құртылуына әкеп соқтыра алады. Қайтарым электр құралды дұрыс емес немесе қате қолданудың салдары болып табылады. Төменде берілген сақтық шараларын орындаған жағдайда мұны болдырмауға болады.

- ▶ **Аспаптың қайтарымын амортизациялау алатын қалыпты қабылдап, электр құралды берік ұстаңыз.** Электр қозғалтқышы тездегенде пайда болатын қайтарымды немесе реактивті моментті максималды басқару үшін әрқашан қосымша тұтқышты (бар болса) қолданыңыз. Тиісті сақтық шараларын қолданған жағдайда оператор қайтарымды және реактивті моментті басқара алады.
- ▶ **Қол буынын айналатын алмалы-салмалы аспапқа ешқашан жақындатпаңыз.** Қайтарым кезінде жұмыс аспабы оларға ілінуі мүмкін.
- ▶ **Қайтарым кезінде электр құралдың жылжитын аймаққа түсуін болдырмаңыз.** Қайтарым электр құралды бұғатталу орнынан жұмыс аспабының айналуына қарама-қарсы бағытта жылжытады.
- ▶ **Бұрыштарды, үшкір жиектерді және т.б. өңдеу кезінде өте мұқият болыңыз.** Электр құралдардың ыршып кетуін және өңделетін бөлшектерде сыналанын болдырмаңыз. Айналатын жұмыс аспабы бұрыштарды, үшкір жиектерді өңдеу кезінде немесе ыршып кеткенде сыналануы мүмкін. Бұл аспапты басқаруды жоғалтудың немесе қайтарымның пайда болуының себебі болады.
- ▶ **Шынжырлық немесе тісті ілінісі бар төсемді қолданбаңыз.** Мұндай жұмыс аспаптарын қолдану жиі қайтарымды тудырады немесе электр құралды басқаруды жоғалтуға әкеледі.

### **Дискімен тегістеу және кесу кезіндегі қауіпсіздік техникасы бойынша қосымша нұсқаулар:**

- ▶ **Тек пайдалануға рұқсат етілген абразивті аспаптарды және оларға сай қорғауыш қаптамаларды қолданыңыз.** Бұл электр құралға арналмаған абразивті дискілер жеткілікті дәрежеде экрандалмайды және тұрақсыз жұмыс істейді.
- ▶ **Қисық тегістеу дискілерін тегістеу аймақтары қорғауыш қаптама шетінен шықпайтын етіп орнату керек.** Қате орнатылған тегістеу дискісі қорғауыш қаптама шетінен шығып тұрса жетерлік ретте қапталмайды.
- ▶ **Қорғауыш қаптаманы электр құралға берік орнату керек және ешбір ең майда абразивті бөлшек операторға тимейтіндей ең жоғары қорғау дәрежесіне реттелуі керек.** Қорғауыш қаптама операторды сынықтардан, киімді тұтандыруы мүмкін ұшқындар сияқты тегістеу нысандарына кездейсоқ тиюден қорғауға көмектеседі.
- ▶ **Абразивті аспаптарды тек мақсатына сай қолдану керек. Мысалы: тегістеуді тек кесу дискісінің бүйірлік бетімен орындауға тыйым салынады.** Кесу дискілері материалды диск жиегімен алуға арналған. Дискіге бүйірінен жасалатын әсер оның бұзылуының себебіне айналуы мүмкін.
- ▶ **Тегістеу дискісін орнату үшін әрқашан зақымдалмаған, өлшемі мен пішіні дұрыс қыспа фланецті қолданыңыз.** Пішіні мен өлшемі жарайтын фланецтер тегістеу дискісін бекітеді және оның сыну қаупінің дәрежесін азайтады. Кесу дискілерінің қыспа фланецтері басқа тегістеу дискілерінің қыспа фланецтерінен ерекшеленуі мүмкін.
- ▶ **Өлшемі үлкенірек электр құралдардың тозған тегістеу дискілерін қолданбаңыз.** Өлшемі үлкенірек электр құралдар үшін жасалған тегістеу дискілері шағын өлшемді электр құралдардың жоғары айналу жиілігіне арналмаған және осы себепті бұзылуы мүмкін.

### **Дискімен кесу кезіндегі қауіпсіздік техникасы бойынша қосымша нұсқаулар:**

- ▶ **Кесу дискісінің бұғатталуын немесе тым қатты басу қысымын болдырмаңыз.** Тым қатты кесулерді орындамаңыз. Кесу дискісіне шамадан тыс жүктеме түсуі оның тозуын және қисаю немесе бұғатталу мүмкіндігін, сонымен бірге қайтарымның пайда болу немесе оның бұзылу мүмкіндігін арттырады.



- ▶ **Айналып жатқан кесу дискісінің аймағында және оның артында тұрмаңыз.** Өңдеп жатқан бөлшектегі кесу дискісі өзіңізден ары бағытта ауытқығанда электр құрал қайтарым пайда болғанда тура сізге ыршып түсуі мүмкін.
- ▶ **Кесу дискісі сыналған немесе жұмысты тоқтатқан жағдайда аспапты өшіріңіз және диск толық тоқтағанын күтіңіз. Әлі айналып жатқан дискіні кесу жерінен шығарып алуға ешқашан әрекет жасамаңыз – қайтарым болуы мүмкін.** Сыналану себебін анықтаңыз және кетіріңіз.
- ▶ **Әлі өңдеп жатқан бөлшекте болса, аспапты қайтадан қоспаңыз. Жұмысты жалғастыру алдында аспап жұмыс айналу жиілігіне дейін тездегенше күтіңіз.** Әйтпесе диск сыналануы, өңдеп жатқан бөлшектен ыршып кетуі немесе қайтарымның пайда болуы мүмкін.
- ▶ **Кесу дискісі сыналған жағдайда қауіп дәрежесін азайту үшін үлкен өлшемді тақталарды немесе бөлшектерді тіреңіз.** Үлкен өңделетін бөлшектер өз салмағының әсерінен иілуі мүмкін. Өңделетін бөлшекті екі жағынан кесуді орындау орнының жанында, сондай-ақ, бөлшек жиегінің бойында тіреу керек.
- ▶ **Жасырын салада, мысалы, дайын қабырғада, «батырып» кесуді орындағанда әсіресе сақ болыңыз.** Газ және су құбырларын, электр сымдарын немесе басқа заттарды кесу кезінде кесу дискісін салғанда, қайтарым пайда болуы мүмкін.

### 2.1.3 Қауіпсіздік техникасы бойынша қосымша ережелер

#### Адамдардың қауіпсіздігі

- ▶ Өнімді тек техникалық мінсіз күйінде қолданыңыз.
- ▶ Аспапты бейімдеуге немесе өзгертуге тыйым салынады.
- ▶ Аспаптың айналатын бөлшектеріне тиемеңіз - жарақат алу қаупі бар!
- ▶ Күрсалды алмастырған кезде қорғаныс қолғаптарын да киіңіз. Алмалы-салмалы аспапқа тию кесіктерге және күйіктерге апарып соғуы мүмкін.
- ▶ Жұмысты бастау алдында дайындама материалы бойынша пайда болатын шаңның қауіп класын анықтаңыз. Аспаппен жұмыс істеу үшін қорғаныс дәрежесі қолданыстағы шаңнан қорғау нормаларына сай құрылыс шаңсорғышын қолданыңыз. Құрамында қорғасын бар бояулар, ағаштың кейбір түрлері, бетон/кірпіш қалауы/кварц қамтитын жыныстар және минералдар мен металл сияқты материалдардан пайда болатын шаң денсаулық үшін зиянды болуы мүмкін.
- ▶ Жұмыс орнындағы ауа алмасуды жақсарту үшін әрекет етіңіз және қажетінше тиісті шаңға арналған респираторды тағыңыз. Мұндай шаңның бөлшектерімен дем алу немесе оған тию пайдаланушыларда немесе жанындағы адамдарда аллергиялық реакциялардың және/немесе дем алу жолдары ауруларының пайда болуына әкелуі мүмкін. Кейбір шаң түрлері (мысалы, өменді немесе шамшатты өңдеу кезінде пайда болатын шаң) канцерогенді деп есептеледі, әсіресе ағашты өңдеу үшін қолданылатын қосымша материалдармен (хром қышқылының тұзы, ағашты қорғау заттары) тіркесімде. Құрамында асбест бар материалдарды тек мамандар өңдеуі керек.
- ▶ Саусақтарыңыздың қандандыруын жақсарту үшін үзіліс жасап, жаттығулар жасаңыз. Ұзақ уақыт жұмыс істеген кезде, дірілдердің салдарынан саусақ, қол не буындардың қантамыры не жүйкесіне кері әсер тиюі мүмкін.

#### Электр қауіпсіздігі

- ▶ Жұмысты бастамас бұрын, жұмыс аймағындағы электрлік сымдар, газ бен су құбырлары жабық екендігіне көз жеткізіңіз. Ток сымына байқамастан зақым келтірген жағдайда, аспаптағы сыртта орналасқан металл бөлшектер ток соғу қаупін тудыруы мүмкін.

#### Электр құралдарымен дұрыс жұмыс істеу және дұрыс пайдалану

- ▶ Кесу дискілерін сиырып тегістеуге қолдануға мүлде тыйым салынады.
- ▶ Алмалы-салмалы аспап пен фланецті берік бекемдеңіз. Егер алмалы-салмалы аспап немесе фланец жеткіліксіз берік бекітілген болса, өшіргеннен кейін алмалы-салмалы аспаптың төжеу кезінде шпиндельден шығып кету ықтималдығы болады.
- ▶ Тегістеу дискілерін қолдану және оларға қызмет көрсету бойынша өндірушінің нұсқауларын орындаңыз.

### 2.1.4 Аккумулятормен дұрыс жұмыс істеу және оны дұрыс пайдалану

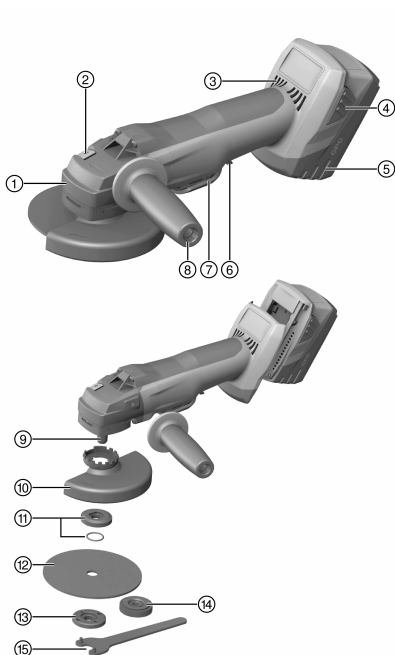
- ▶ Li-Ion аккумуляторын тасымалдау, сақтау және пайдалану бойынша арнайы нұсқаулардың талаптарын орындаңыз.
- ▶ Аккумуляторларды жоғары температуралар, тікелей күн сәулесі мен өрттен алшақ ұстаңыз.
- ▶ Аккумуляторларды бөлшектеуге, қысуға, 80°C-тан жоғары температураға дейін қыздыруға және жағуға тыйым салынады.
- ▶ Соққы тиген, бір метрден жоғары биіктіктен құлаған немесе басқа жолмен зақымдалған аккумуляторларды пайдалануға немесе зарядтауға болмайды. Мұндай жағдайда әрдайым **Hilti сервистік қызметіңізге** хабарласыңыз.



- ▶ Егер тиген кезде аккумулятор тым ыстық болса, ол ақаулы болуы мүмкін. Аспапты тұтану қаупі жоқ орынға, тұтанғыш материалдардан алыс, оны бақылауға болатындай қойыңыз және суытып қойыңыз. Мұндай жағдайда әрдайым **Hilti сервистік қызметіңізге** хабарласыңыз.

### 3 Сипаттама

#### 3.1 Өнімге шолу



- ① Қаптаманы бекіту түймесі
- ② Шпиндель бекіткішінің түймесі
- ③ Желдету ойықтары
- ④ Аккумулятор заряды деңгейінің көрсеткішін белсендірудің қосымша функциясы бар бұғаттау түймесі
- ⑤ Аккумулятор
- ⑥ Қосылу блокираторы
- ⑦ Негізгі сөндіргіш
- ⑧ Дірілді сезбейтін бүйірлік тұтқыш
- ⑨ Шпиндель
- ⑩ Стандартты қорғауыш қаптама
- ⑪ Дөңгелек қималы сақинасы бар қыспа фланец
- ⑫ Кесу дискі/ дөрекі тегістеу дискі
- ⑬ Қыспа гайка
- ⑭ **Kwik lock** тез қыспа гайкасы (қосымша)
- ⑮ Кілт

#### 3.2 Мақсатына сай қолдану

Сипатталған өнім қолмен басқарылатын аккумуляторлық бұрыштық тегістеу машинасы болып табылады. Ол металл мен минералды материалдарды дөрекі кесу және сыра тегістеу және керамикалық плиткаларды бұрғылау жұмыстарын су пайдаланбай орындауға арналған. Оны тек құрғақ тегістеуге/кесуге қолдануға болады.

- Минералды материалдарды абразивті кесу, тесу және алғаш тегістеу жұмыстары тек тиісті қорғауыш қаптаманы (қосымша жабдық) пайдалану арқылы рұқсат етіледі.
- Бетон немесе тас сияқты минералды беттерді өңдеген кезде арнайы **Hilti** шаңсорғышында бейімделген шаңды кетіретін қаптаманы пайдалану қажет.
- ▶ Бұл өнім үшін тек В 22 сериялы **Hilti** Li-Ion аккумуляторларын ғана пайдаланыңыз.
- ▶ Бұл аккумуляторлар үшін тек С4/36 сериялы **Hilti** зарядтағыш құрылғысын пайдаланыңыз.

#### 3.3 Жеткізілім жинағы

Бұрыштық тегістеу машинасы, бүйірлік тұтқыш, стандартты қорғауыш қаптамасы, алдыңғы қақпақ, қыспа фланец, қыспа гайка, қыспа кілт, пайдалану бойынша нұсқаулық.

Оған қоса өніміңіз үшін рұқсат етілген жүйелік өнімдерді **Hilti Store** дүкенінде немесе мына веб-сайттан табуға болады: [www.hilti.group](http://www.hilti.group)





### 3.4 Аспаптың термоқорғанысы

Қозғалтқыштың термоқорғаныс жүйесі электр энергиясының тұтынуын және қозғалтқыштың қызуын басқарады және аспапты қызып кетуден қорғайды.

Басу қысымының салдарынан қозғалтқышқа шамадан тыс жүктеме түскенде, қуат айтарлықтай төмендейді, осының нәтижесінде аспап тоқтап қалуы мүмкін.

Шамадан тыс жүктемеден аспап тұрып қалған не айналу жылдамдығы азайған жағдайда аспапқа түсетін жүктемені азайту керек және оған шамамен 30 секунд бос жүрісте жұмыс істеуге мүмкіндік беру керек.

### 3.5 Алдыңғы қақпақтың қорғауыш қаптамасы 2

**Металды материалдарды дөрекі тегістеу дискілерімен дөрекі тегістеуде және кесу дискілерімен кесуде алғы қаптамасы бар стандартты қорғауыш қаптаманы пайдаланыңыз.**

### 3.6 Шаңды кетіруге арналған қаптама (кесу) DC-EX 125/5" С ықшам қалпағы (керек-жарақ) 3

Минералды беттерді алмасты кескіш дискілермен абразивті кесу үшін DC-EX 125/5" С ықшам қалпағын пайдалану керек.

**САҚ БОЛЫҢЫЗ** Бұл қаптаманы қолданып металды өңдеуге тыйым салынған.

### 3.7 Шаңды кетіруге арналған қаптама (тегістеу) DG-EX 125/5" (керек-жарақ) 4

Кесу жүйесі алмас тостағанды тегістеу дискілерінің көмегімен минералдық материалдарды тегістеуге ғана арналған.

**САҚ БОЛЫҢЫЗ** Бұл қаптаманы қолданып металды өңдеуге тыйым салынған.

### 3.8 Li-Ion аккумуляторының заряд күйінің көрсеткіші

Li-Ion аккумуляторының заряд күйінің көрсеткіші екі аккумуляторды босату түймесін басу арқылы көрсетіледі.

Құралдың бөлшектері	Сипаттамасы
4 жарық диоды жанады.	Зарядтау күйі: 75 % - 100 %
3 жарық диоды жанады.	Зарядтау күйі: 50 % - 75 %
2 жарық диоды жанады.	Зарядтау күйі: 25 % - 50 %
1 жарық диоды жанады.	Зарядтау күйі: 10 % - 25 %
1 жарық диоды жыпықтайды.	Зарядтау күйі: < 10 %

**i** Жұмыс уақытында және бірден жұмысты аяқтағаннан кейін зарядталу деңгейі туралы сұрау мүмкін емес. Аккумулятордың зарядталу деңгейі жарық диодтары жыпылықтаған жағдайда «Ақаулықтардағы көмек» бөліміндегі нұсқауларға назар аударыңыз.

## 4 Пайдаланылатын материал

Кем дегенде 11000 айн/мин айналу жиілігі және 80 м/сек. айналу жылдамдығы үшін рұқсат етілген, макс. Ø 125 мм жасанды шайырмен жалғанған, фибринмен нығайтылған шайбалар ғана қолданылуы тиіс.

Дөрекі тегістеу дискілеріндегі диск қалыңдығы макс. 6,4 мм және кесіп тегістеу дискілеріндегі диск қалыңдығы макс. 3 мм болуы тиіс.

**НАЗАР АУДАРЫҢЫЗ!** Кесу дискілерімен кесу және штробтар жүргізу кезінде, әрдайым қосымша алдыңғы қақпағы бар стандартты қорғауыш қаптаманы немесе толығымен жабылған шаңды кетіруге арналған қаптаманы қолданыңыз.

### Дөңгелектер

	Пайдалану саласы	Қысқаша белгіленуі	Негіз
Дөрекі тегістеу дискісі	Кесу, штробтар жүргізу	AC-D	металды
Алмасты тегістеу дискісі	Кесу, штробтар жүргізу	DC-TP, DC-D (SPX, SP, P)	минералды



	Пайдалану саласы	Қысқаша белгіленуі	Негіз
Абразивті дөрекі тегістеу дискісі	Сиыра/аршыта тегістеу	AG-D, AF-D, AN-D	металды
Алмасты дөрекі тегістеу дискісі	Сиыра/аршыта тегістеу	DG-CW (SPX, SP, P)	минералды
Алмасты бұрғылау коронкасы	Керамикалық плиткаларды бұрғылау	DD-M14	минералды

#### Қолданылған жабдық үшін дискілердің тағайындалуы

Нөмір	Жабдық	AC-D	AG-D	AF-D	AN-D	DG-CW	DC-D	DD-M14
A	Қорғауыш қаптама	X	X	X	X	X	X	X
B	Алдыңғы қаптама (А-мен байланыста)	X	—	—	—	—	X	—
C	Шаңды кетіруге арналған қаптама (тегістеу) DG-EX 125/5"	—	—	—	—	X	—	—
D	Шаңды кетіруге арналған қаптама (кесу) DC-EX 125/5"С (А-мен байланыста)	—	—	—	—	—	X	—
E	Бүйірлік тұтқыш	X	X	X	X	X	X	X
F	DCBG 125 доғалы тұтқышы (Е үшін қосымша)	X	X	X	X	X	X	X
G	Қыспа гайка	X	X	X	X	X	X	—
H	Қыспа фланец	X	X	X	X	X	X	—
I	<b>Kwik lock</b> (G қосымшасы)	X	X	X	X	—	X	—

## 5 Техникалық сипаттамалар

	AG 125-A22
Номиналды кернеу	21,6 В
Номиналды айналу жиілігі	9500 А/мин
Максималды диск диаметрі	125 мм
ЕРТА Procedure 01 бойынша салмағы, аккумуляторын қоса	В228.0 3,3 кг
Шпиндельдің ирек оймасы	M14
Шпиндельдің ұзындығы	22 мм

### 5.1 EN 60745 стандарты бойынша шуыл туралы ақпарат және діріл мәні

Осы нұсқауларда көрсетілген дыбыс қысымы мен діріл деңгейі стандартты өлшеу әдісімен өлшенген және оны басқа электр құралдарымен салыстыру үшін пайдалануға болады. Сонымен бірге, ол экспозицияны алдын ала бағалау үшін жарайды. Берілген деректер электр құралдың негізгі жұмысын көрсетеді. Алайда, егер электр құралы басқа мақсаттарда, басқа жұмыс аспаптарымен қолданылса немесе оған қанағаттандырмайтын техникалық қызмет көрсетілсе, деректер өзгеше болуы мүмкін. Осының салдарынан аспаптың бүкіл жұмыс істеу кезеңінде экспозиция айтарлықтай артуы мүмкін. Экспозицияны дәл анықтау үшін аспап сөндірілген күйде немесе бос жұмыс істейтін уақыт аралықтарын да ескеру керек. Осының салдарынан аспаптың бүкіл жұмыс істеу кезеңінде экспозиция айтарлықтай азаюы мүмкін. Пайдаланушыны пайда болатын шуылдан және/немесе дірілден қорғау үшін қосымша сақтық шараларын қолданыңыз, мысалы: электр құралға және алмалы-салмалы аспаптарға техникалық қызмет көрсету, қолдардың жылуын сақтау, жұмыс процестерін дұрыс ұйымдастыру.



## Шуыл туралы ақпарат

Эмиссиялық дыбыс қысымының деңгейі ( $L_{pA}$ )	83 дБ(A)
Дәлсіздік, дыбыс қысымының деңгейі ( $K_{pA}$ )	3 дБ(A)
Дыбыс күшінің деңгейі ( $L_{WA}$ )	94 дБ(A)
Дыбыс күшінің деңгейі бойынша дәлсіздік ( $K_{WA}$ )	3 дБ(A)

## Діріл туралы ақпарат

Кесуден басқа қолданыстар өзге діріл мәндеріне алып келуі мүмкін.

Бетті діріл оқшаулағыш тұтқышпен тегістеу ( $a_{h,AG}$ )	3,8 м/с <sup>2</sup>
Дәлсіздік (K)	1,5 м/с <sup>2</sup>

## 5.2 Аккумулятор

Аккумулятордың жұмыс кернеуі	21,6 В
Жұмыс кезіндегі қоршаған орта температурасы	-17 °C ... 60 °C
Сақтау температурасы	-20 °C ... 40 °C
Зарядтаудың басындағы аккумулятор температурасы	-10 °C ... 45 °C

## 6 Жұмысқа дайындық

### 6.1 Аккумуляторды енгізу

#### АБАЙЛАҢЫЗ

**Жарақат алу қаупі.** бұрыштық тегістеу машинасының күтілмеген іске қосылуынан.

- ▶ Аккумуляторды орнату алдында бұрыштық тегістеу машинасының қосылғанына және іске қосу құлпы белсендірілгеніне көз жеткізіңіз.

#### АБАЙЛАҢЫЗ

**Электрлік қауіп.** Кір контактілер қысқа тұйықталуды тудыруы мүмкін.

- ▶ Аккумуляторды салудан бұрын аккумулятордың контактілері мен бұрыштық тегістеу машинасының контактілері басқа заттардың әсеріне ұшырамайтынына көз жеткізіңіз.

#### АБАЙЛАҢЫЗ

**Жарақат алу қаупі.** Аккумулятор дұрыс салынбаған кезде, аспап ішінен түсіп қалуы мүмкін.

- ▶ Аккумулятордың түсіп қалуын не басқа қауіптерді болдырмау үшін оның аспап ішіне берік орнатылғанын қадағалаңыз.
- ▶ Аккумуляторды орнатып, аспап ішіне берік орнатылғанына көз жеткізіңіз.

### 6.2 Аккумуляторды шығару

- ▶ Аккумуляторды шығарыңыз.

### 6.3 Бүйірлік тұтқышты орнату

- ▶ Бүйірлік тұтқышты алдын ала белгіленген бұрандалы төлкеге бұрап бекітіңіз.

### 6.4 Қорғауыш қаптаманы орнату немесе бөлшектеу

#### АБАЙЛАҢЫЗ

**Жарақат алу қаупі.** Алмалы-салмалы аспап ыстық не өткір болуы мүмкін.

- ▶ Орнату, бөлшектеу, реттеу жұмыстары мен ақаулықтарды жою кезінде қорғаныс қолғаптарын киіңіз.
- ▶ Сәйкес қорғауыш қаптаманың орнату бойынша нұсқаулығын оқып шығыңыз.



#### 6.4.1 Қорғауыш қаптаманы орнату

Қорғауыш қаптаманың тек аспапқа келетін қаптаманы орнатуға мүмкіндік беретін арнайы шығыңқы жерлері бар. Қорғауыш қаптаманың шығыңқы жерлері аспап шпинделінің мойнында орналасқан ойықтарда бекітіледі.

1. Қорғауыш қаптаманы шпиндель мойнына аспаптағы және қорғауыш қаптамадағы үшбұрыштардың екі суреті де бір-біріне қарама-қарсы орналасатындай кигізіңіз.
2. Қорғауыш қаптаманы шпиндель мойнына басыңыз.
3. Қаптаманы босату түймесін басыңыз.
4. Қорғауыш қаптаманы шырт еткенше және қаптаманы босату түймесі бастапқы күйге оралғанша басыңыз.

#### 6.4.2 Қорғауыш қаптаманың күйін реттеу

- ▶ Қаптаманы босату түймесін басып, қорғауыш қаптаманы орнына тұрғанша қалаулы позицияға дейін айналдырыңыз.

#### 6.4.3 Қорғауыш қаптаманы бөлшектеу

1. Қаптама бекіткіш түймесін басыңыз және қорғауыш қаптаманы аспаптағы және қорғауыш қаптамадағы үшбұрыш түріндегі екі белгі де бір-біріне қарама-қарсы орналасқанша бұраңыз.
2. Қорғауыш қаптаманы алып тастаңыз.

#### 6.5 Алдыңғы қақпақты орнату немесе бөлшектеу

Алдыңғы қақпақпен өңделген кезде, қорғауыш қаптама салынады.

1. Алдыңғы қақпақты жабық жағымен стандартты қорғауыш қаптама ішіне тірелгенше салыңыз.
2. Бөлшектеу үшін алдыңғы қақпақтың құлпын ашыңыз және оны стандартты қорғауыш қаптамадан алып тастаңыз.

#### 6.6 Шаңды кетіруге арналған қаптаманы орналастыру (кесу), DC-EX 125/5°C

- ▶ Қосқыш/ажыратқыш әрдайым қол жеткізу және қызмет көрсетуге қолжетімді болатындай етіп ықшам қаптаманы орналастырыңыз.

#### 6.7 Алмалы-салмалы аспапты орнату немесе бөлшектеу

##### АБАЙЛАҢЫЗ

**Жарақат алу қаупі.** Алмалы-салмалы аспап қызып кетуі мүмкін.

- ▶ Алмалы-салмалы аспапты ауыстырған кезде қорғауыш қаптаманы тіреңіз.

Кесу мен тегістеу сапасы төмендесе, алмасты дискілерді алмастыру керек. Өзге жағдайларда алмас сегменті биіктігінің 2 мм-ден аз болуы ауыстыруға себеп болады.

Басқа диск түрлерін кесу сапасы төмендеген кезде немесе бұрыштық тегістеуіш бөліктері (дискіден басқа) жұмыс кезінде жұмыс материалына тиген жағдайда алмастыру керек.

Абразивті дискілерді тозу мерзімі өткеннен соң алмастыру қажет болады.

#### 6.7.1 Алмалы-салмалы аспапты орнату

1. Аккумуляторды шығарыңыз. → Бет 141
2. Қыспа фланецтегі дөңгелек қималы сақинаның бар екендігін және зақымдалмағанын тексеріңіз.

##### **Нәтиже**

Дөңгелек қималы сақина зақымдалған.

Қыспа фланецте дөңгелек қималы сақина жоқ.

- ▶ Жаңа қыспа фланецті дөңгелек қималы сақинамен орнатыңыз.

3. Қыспа фланецті шпиндельге берік, айналмайтындай етіп орнатыңыз.
4. Алмалы-салмалы аспапты орнатыңыз.



**⚠ ЕСКЕРТУ**

**Жарақат алу қаупі.** Аспап қозғалтқышы тоқтап қалғанда алмалы-салмалы аспап ажыратылып қалуы мүмкін.

- ▶ Алмалы-салмалы аспапты не қыспа гайканы бекітпес бұрын алмалы-салмалы аспап толығымен тоқтағанша күтіңіз.
  - ▶ Алмалы-салмалы аспап пен қыспа фланецтің бөліктері аспап моторы тоқтап қалған кезде шпиндельден ажыратылмайтындай етіп оларды қыспа гайкамен бұрап бекітіңіз.
- 
5. Қыспа гайканы орнатылған алмалы-салмалы аспапқа сай бұрап бекітіңіз.
  6. Шпиндельді бұғаттау түймесін басып тұрыңыз.
  7. Қыспа кілттің көмегімен қыспа гайканы бекемдеңіз, шпиндельді бұғаттау түймесін жіберіңіз және қыспа кілтті алып тастаңыз.

**6.7.2 Алмалы-салмалы аспапты бөлшектеу**

1. Аккумуляторды шығарыңыз. → Бет 141

**⚠ АБАЙЛАҢЫЗ**

**Сыну және бұзылу қаупі бар.** Шпиндель айналып тұрғанда шпиндельді бұғаттау түймесі басылып тұрса, алмалы-салмалы аспап босап қалуы мүмкін.

- ▶ Шпиндельді бұғаттау түймесін тек шпиндель өшірулі күйінде болғанда басыңыз.
- 
2. Шпиндельді бұғаттау түймесін басып тұрыңыз.
  3. Қыспа кілтті орналастырып және сағат бағытына қарсы айналдырып, қыспа гайканы босатыңыз.
  4. Шпиндельді бұғаттау түймесін жіберіп, алмалы-салмалы аспапты алып тастаңыз.

**6.7.3 Kwik lock жылдам қыспа гайкасымен алмалы-салмалы аспапты орнату**

**⚠ АБАЙЛАҢЫЗ**

**Бұзылу қаупі.** Тым қатты тосудан **Kwik lock** жылдам қыспа гайкасы бұзылуы мүмкін.

- ▶ Жұмыс барысында **Kwik lock** жылдам қыспа гайкасының бетке тимейтінін қадағалаңыз.
  - ▶ Зақымдалған **Kwik lock** жылдам қыспа гайкасын қолдануға болмайды.
- 



Қыспа гайканың орнына **Kwik lock** жылдам қыспа гайкасын пайдалануға болады. Осы жолмен алмалы-салмалы аспапты қосымша құралдарды қолданбай ауыстыруға болады.

---

1. Аккумуляторды шығарыңыз. → Бет 141
2. Фланецті және жылдам қыспа гайканы тазалаңыз.
3. Қыспа фланецті шпиндельге енгізіңіз.
4. Алмалы-салмалы аспапты орнатыңыз.
5. **Kwik lock** жылдам қыспа гайкасын алмалы-салмалы аспапқа орнатылғанша бұраңыз.
  - ▶ **Kwik lock** белгісі бұрап бекітілген күйде көрінеді.
6. Шпиндельді бұғаттау түймесін басып тұрыңыз.
7. Алмалы-салмалы аспапты **Kwik lock** жылдам қыспа гайкасы тірелгенше сағат тілі бойынша қолмен бұраңыз да, содан кейін шпиндельді бұғаттау түймесін жіберіңіз.

**6.7.4 Kwik lock жылдам қыспа гайкасымен алмалы-салмалы аспапты бөлшектеу**

1. Аккумуляторды шығарыңыз. → Бет 141

**⚠ АБАЙЛАҢЫЗ**

**Сыну және бұзылу қаупі бар.** Шпиндель айналып тұрғанда шпиндельді бұғаттау түймесі басылып тұрса, алмалы-салмалы аспап босап қалуы мүмкін.

- ▶ Шпиндельді бұғаттау түймесін тек шпиндель өшірулі күйінде болғанда басыңыз.
- 
2. Шпиндельді бұғаттау түймесін басып тұрыңыз.
  3. **Kwik lock** жылдам қыспа гайкасын сағат бағытына қарсы қолмен бұрай отырып босатыңыз.
  4. **Kwik lock** жылдам қыспа гайкасы қолмен босатылмаса, жылдам қыспа гайкаға қыспа кілт орнатып, оны сағат бағытына қарсы бұраңыз.
- 



Құбыр кілтін ешқашан қолданбаңыз, осылайша **Kwik lock** жылдам қыспа гайкасына зақым келтірмейсіз.

---



5. Шпиндельді бұғаттау түймесін жіберіп, алмалы-салмалы аспапты алып тастаңыз.

### 6.7.5 Бұрғылау коронкасын орнату

1. Аккумуляторды шығарыңыз. → Бет 141
2. Бүйірлік тұтқышты орнатыңыз. → Бет 141
3. Қорғауыш қаптаманы орнатыңыз. → Бет 142
4. Бұрғылау коронкасын орнатып, берік бұрап бекітіңіз.
5. Шпиндельді бұғаттау түймесін басып тұрыңыз.
6. Арнайы кілттің көмегімен бұрғылау коронкасын берік бұраңыз.
7. Содан кейін шпиндельді бұғаттау түймесін босатып, гайка кілтін алып тастаңыз.

## 7 Қызмет көрсету

### 7.1 Тегістеу

#### АБАЙЛАҢЫЗ

**Жарақат алу қаупі.** Алмалы-салмалы аспап кенет бұғатталуы не ілініп қалуы мүмкін.

- ▶ Аспапты бүйірлік тұтқасымен (қапсырмалы тұтқамен қосымша беріледі) бірге пайдаланыңыз және аспапты әрдайым екі қолмен берік ұстаңыз.

### 7.2 Кесіп тегістеу

- ▶ Дәрекі кесу көзінде орташа беріліспен жұмыс істеңіз және аспапты немесе дәрекі кесу дискісін еңкейтпеңіз (жұмыс күйі шамамен 90° кесу деңгейін құрайды).



Профильдер және төрт бұрышты қимасы бар шағын құбырлар кесіп тегістеу дискісі ең кіші көлденең қимаға өткенде жақсырақ кесіледі.

### 7.3 Дәрекі тегістеу

#### АБАЙЛАҢЫЗ

**Жарақат алу қаупі.** Кескіш шайба жарылуы немесе сынып қалған бөліктері жарақаттануға апарып соғуы мүмкін.

- ▶ Кесу деңгелектерін сиырып тегістеуге қолдануға мүлде тыйым салынады.
- ▶ Аспапты 5° - 30° орнату бұрышымен және бірқалыпты қысыммен жан-жаққа жылжытыңыз.
  - ▶ Өңделетін зат қызбайды, боялмайды және онда іздер қалмайды.

### 7.4 Іске қосу құлпы бар қосқыш/ажыратқышпен қосу



Іске қосу құлпы бар қосқыш/ажыратқыш көмегімен іске қосу функциясын басқаруға және аспаптың кездейсоқ іске қосылуын болдырмауға болады.

1. Іске қосу құлпын алға итеріңіз.
  - ▶ Қосқыш/ажыратқыш босатылады.
2. Қосқыш/өшіргішті толық басыңыз.
  - ▶ Аспап қозғалтқышы бос жүріс жылдамдығымен жұмыс істеп тұр.

### 7.5 Іске қосу құлпы бар қосқыш/ажыратқышпен өшіру

- ▶ Негізгі сөндіргішті жіберіңіз.
  - ▶ Іске қосу құлпы автоматты түрде құлыптау күйіне түседі.



## 8 Күту және техникалық қызмет көрсету

### ЕСКЕРТУ

**Акумулятор енгізілген кезде жарақат алу қаупі бар !**

- ▶ Күтім және техникалық қызмет көрсету бойынша кез келген жұмыстарды орындамас бұрын әрдайым акумуляторды шығарыңыз!

### Аспапқа қызмет көрсету

- Қатты жабысқан кірді мұқият кетіріңіз.
- Желдету ойықтарын құрғақ қылшақпен жайлап тазалаңыз.
- Корпусты тек сәл суланған шүберекпен тазалаңыз. Ешқандай силикон қамтитын күтім құралдарын пайдаланбаңыз, өйткені олар пластмасса бөлшектерін зақымдауы мүмкін.

### Литий-иондық акумуляторға қызмет көрсету

- Акумуляторды май мен майлағыштан таза күйінде ұстаңыз.
- Корпусты тек сәл суланған шүберекпен тазалаңыз. Ешқандай силикон қамтитын күтім құралдарын пайдаланбаңыз, өйткені олар пластмасса бөлшектерін зақымдауы мүмкін.
- Ылғалдың кіруін болдырмаңыз.

### Техникалық қызмет көрсету

- Барлық көзге көрінетін бөлшектерде зақымдардың бар-жоғын және басқару элементтерінің ақаусыз жұмысын жиі тексеріп тұрыңыз.
- Өнім зақымдалған және/немесе ақаулы болған жағдайда оны пайдаланушы болмаңыз. Бірден **Hilti** қызмет көрсету орталығына жөндетіңіз.
- Күтім және техникалық қызмет көрсету жұмыстарынан кейін барлық қорғауыш құрылғыларды орнатып, жұмысын тексеріңіз.



Қауіпсіз қолдану үшін тек түпнұсқа қосалқы бөлшектер мен жұмсалатын материалдарды қолданыңыз. Біз рұқсат еткен қосалқы бөлшектер, шығын материалдары мен өнімге арналған керек-жарақтар **Hilti Store** дүкенінде немесе келесі веб-сайтта қолжетімді: [www.hilti.group](http://www.hilti.group).

## 9 Акумуляторлық аспаптарды тасымалдау және сақтау

### Тасымалдау

#### АБАЙЛАҢЫЗ

**Тасымалдау кезіндегі кенет іске қосылу !**

- ▶ Өніміңізді әрдайым акумуляторын шығарып алып тасымалдаңыз!
- ▶ Акумуляторларды шығарыңыз.
- ▶ Акумуляторларды ешқашан үймеде тасымалдамаңыз.
- ▶ Аспапты немесе акумуляторларды ұзақ уақыт тасымалдаған соң, оларды пайдалану алдында зақымдарының бар-жоғын тексеріңіз.

### Сақтау

#### АБАЙЛАҢЫЗ

**Бүлінген немесе заряды таусылған акумуляторлардан күтілмеген зақымдалу !**

- ▶ Өніміңізді әрдайым акумуляторын шығарып алып сақтаңыз!
- ▶ Аспап пен акумуляторларды мүмкіндігінше салқын және құрғақ күйінде сақтаңыз.
- ▶ Акумуляторларды ешқашан күн, жылу көздерінің астында немесе әйнек артында сақтамаңыз.
- ▶ Аспап пен акумуляторларды балалар мен рұқсаты жоқ адамдардың қолы жетпейтін жерде сақтаңыз.
- ▶ Аспапты немесе акумуляторларды ұзақ уақыт сақтаған соң, оларды пайдалану алдында зақымдарының бар-жоғын тексеріңіз.

## 10 Ақаулықтардағы көмек

Бұл кестеде келтірілмеген немесе өзіңіз түзете алмайтын ақаулықтар орын алғанда, **Hilti** қызмет көрсету орталығына хабарласыңыз.



## 10.1 Ақаулықтарды жою

Ақаулық	Ықтимал себеп	Шешім
Аккумулятор заряды әдеттегіден жылдам бітеді.	Қоршаған орта температурасы тым төмен.	▶ Аккумуляторды ұзақ уақытта бөлме температурасында жылытыңыз.
Аккумулятор естілетін шырт ету дыбысымен бекітілмейді.	Аккумулятордағы құлып шоқылары кірленген.	▶ Тіреуіш шығыңқы жерлерін тазалаңыз және аккумуляторды қайтадан салыңыз.
1 жарық диоды жыпықтайды. Аспап жұмыс істемейді.	Аккумулятор заряды бос.	▶ Аккумуляторды алмастырып, бос аккумуляторды зарядтаңыз.
	Аккумулятор суып немесе қызып кетті.	▶ Аккумуляторды ұзақ уақытта бөлме температурасында жылытыңыз.
Барлық 4 жарық диоды жыпылықтайды. Аспап жұмыс істемейді.	Аспапқа шамадан тыс жүктеме түсті.	▶ Негізгі сөндіргішті босатып, қайта басыңыз. Содан кейін аспапты шам. 30 секунд ішінде бос жүріс жылдамдығымен жұмыс істетіңіз.
Бұрыштық тегістеу машинасында немесе аккумуляторды қатты қызу пайда болды.	Электр бөлігі бойынша ақаулық	▶ Аспапты бірден өшіріңіз, аккумуляторды шығарыңыз, оны қадағалап, салқындауына мүмкіндік беріңіз және <b>Hilti</b> сервис орталығына хабарласыңыз.
Аспап толық қуатпен жұмыс істемейді.	Сыйымдылығы аз аккумулятор орнатылған.	▶ Сыйымдылығы жеткілікті аккумуляторды қолданыңыз.
Қозғалтқыштың тежеу функциясы жоқ.	Аккумулятор заряды бос.	▶ Аккумуляторды алмастырып, бос аккумуляторды зарядтаңыз.
	Аспапқа қысқа мерзімді шамадан тыс жүктеме түсті.	▶ Негізгі сөндіргішті босатып, қайта басыңыз.

## 11 Көдеге жарату

**Hilti** аспаптары қайта өңдеу үшін жарамды көптеген материалдардың санын қамтиды. Көдеге жарату алдында материалдарды мұқият сұрыптау керек. Көптеген елдерде **Hilti** компаниясы ескі аспабыңызды қайта өңдеу үшін қайта қабылдайды. **Hilti** қызмет көрсету орталығынан немесе дилеріңізден сұраңыз.

### Аккумуляторды көдеге жарату

Аккумуляторларды нұсқаулардан тыс көдеге жарату нәтижесінде газ не сұйықтықтың шығуы денсаулыққа қауіп төндіруі мүмкін.

- ▶ Зақымдалған аккумуляторларды жіберуге немесе жөнелтуге болмайды!
- ▶ Қысқа тұйықталуға жол бермеу үшін, қосылымдарды ток өткізбейтін материалмен жауып қойыңыз.
- ▶ Аккумуляторларды балалардың қолына жетпейтіндей етіп көдеге жаратыңыз.
- ▶ Аккумуляторды **Hilti Store** дүкенінде көдеге жаратыңыз немесе жергілікті көдеге жарату кәсіпорнына хабарласыңыз.



- ▶ Электр құралдарды, электрондық құрылғылар мен аккумуляторларды тұрмыстық қоқыспен бірге тастамаңыз!

## 12 RoHS (зиянды заттектердің пайдаланылуын шектеу директивасы)

Төмендегі сілтемелер бойынша зиянды заттектердің кестесі келтірілген: [qr.hilti.com/r3958236](http://qr.hilti.com/r3958236).

RoHS кестесінің сілтемесі осы құжаттаманың соңында QR коды ретінде берілген.





## 13 Öndüruşü keplıdıđı

- Keplıdıđık şarttarý turalı sýraqtarýnyız bolsa, jerğılıktı Hilti serıktesıne habarlasýnyız.

## Orıjinal kullanıml kılavuzu

### 1 Dokümantasyon verileri

#### 1.1 Bu doküman için

- Çalıřtırmadan önce bu dokümanı okuyunuz. Bu, güvenli çalıřma ve arızasız kullanım için ön kořulduur.
- Bu dokümanda ve ürün üzerinde bulunan güvenlik ve uyarı bilgilerine dikkat ediniz.
- Kullanım kılavuzunu her zaman ürün üzerinde bulundurunuz ve ürünü sadece bu kılavuz ile birlikte başka kiřilere veriniz.

#### 1.2 Resim açıklaması

##### 1.2.1 Uyarı bilgileri

Uyarı bilgileri, ürün ile çalıřırken ortaya çıkabilecek tehlikelere karřı uyarır. Ařađıdaki uyarı metinleri kullanılır:

#### TEHLİKE

##### TEHLİKE !

- Ađır vücut yaralanmalarına veya dođrudan ölüme sebep olabilecek tehlikeler için.

#### İKAZ

##### İKAZ !

- Ađır yaralanmalara veya ölüme neden olabilecek tehlikeler için.





#### DİKKAT

##### DİKKAT !

- Hafif vücut yaralanmalarına veya maddi hasarlara yol açabilecek olası tehlikeli durumlar için.


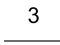


##### 1.2.2 Dokümandaki semboller

Bu dokümanda ařađıdaki semboller kullanılmıřtır:

	Kullanmadan önce kullanım kılavuzunu okuyunuz
	Kullanım uyarıları ve diđer gerekli bilgiler
	Geri dönüşümlü malzemeler ile çalıřma
	Elektrikli aletleri ve aküleri evdeki çöplere atmayınız

##### 1.2.3 Resimlerdeki semboller

Resimlerde ařađıdaki semboller kullanılmıřtır:








	Bu sayılar, kılavuzun bařlangıcındaki ilgili resimlere atanmıřtır
	Numaralandırma, resimdeki çalıřma adımlarının sırasını göstermektedir ve metindeki çalıřma adımlarından farklı olabilir
	Pozisyon numaraları <b>Genel bakıř</b> resminde kullanılır ve <b>Ürüne genel bakıř</b> bölümündeki açıklama numaralarına referans niteliğindedir
	Bu iřaret, ürün ile çalıřırken dikkatinizi çekmek için koyulmuřtur.



### 1.3 Ürüne bağlı semboller

#### 1.3.1 Üründeki semboller

Üründe aşağıdaki semboller kullanılabilir:

	Koruyucu gözlük kullanınız
n	Ölçme devir sayısı
/min	Dakika başına devir
RPM	Dakika başına devir
	Çap
	Doğru akım
Li-Ion	Lityum İyon akü
	Kullanılan <b>Hilti</b> Lityum İyon akü tip serisi. <b>Usulüne uygun kullanım</b> bölümündeki bilgileri dikkate alınız.
	Aküyü asla darbe aleti olarak kullanmayınız.
	Aküyü düşürmeyiniz. Darbe almış veya hasar görmüş bir aküyü kullanmayınız.
	Alet, iOS ve Android platformları ile uyumlu NFC teknolojisini destekler.

### 1.4 Ürün bilgileri

**HILTI** ürünleri profesyonel kullanıcıların kullanımı için öngörülmüştür ve sadece yetkili personel tarafından kullanılabilir ve bakımı yapılabilir. Bu personel, meydana gelebilecek tehlikeler hakkında özel olarak eğitim görmüş olmalıdır. Aletin ve ilgili yardımcı gereçlerin eğitimsiz personel tarafından usulüne uygun olmayan şekilde kullanılması ve amaçları dışında çalıştırılması sonucu tehlikeli durumlar söz konusu olabilir. Tip tanımı ve seri numarası, tip plakası üzerinde belirtilmiştir.

- Seri numarasını aşağıdaki tabloya aktarınız. Ürün bilgileri acente veya servis merkezini aradığınızda sorulabilir.

#### Ürün bilgileri

Açılı taşıyıcı	AG 125-A22
Nesil	02
Seri no.	

### 1.5 Uygunluk beyanı

Burada tanımlanan ürünün, geçerli yönetmeliklere ve normlara uygun olduğunu kendi sorumluluğumuzda beyan ederiz. Bu dokümantasyonun sonunda uygunluk beyanının bir kopyasını bulabilirsiniz.

Teknik dokümantasyonlar eklidir:

**Hilti** Entwicklungsgesellschaft mbH | Zulassung Geräte | Hiltistraße 6 | 86916 Kaufering, DE

## 2 Güvenlik

### 2.1 Güvenlik uyarıları

#### 2.1.1 Elektrikli el aletleri için genel güvenlik uyarıları

**⚠ İKAZ! Tüm güvenlik uyarılarını ve talimatlarını okuyunuz.** Güvenlik uyarılarına ve talimatlara uyulmadıkça ihmallere elektrik çarpması, yanma ve/veya ağır yaralanmalara sebep olabilir.

Tüm güvenlik uyarılarını ve kullanım talimatlarını muhafaza ediniz.



### İş yeri güvenliği

- ▶ **Çalışma alanınızı temiz ve aydınlık tutunuz.** Düzensiz veya aydınlatma olmayan çalışma alanları kazalara yol açabilir.
- ▶ **Yanıcı sıvıların, gazların veya tozların bulunduğu patlama tehlikesi olan yerlerde elektrikli el aleti ile çalışmayınız.** Elektrikli el aletleri, toz veya buharı yakabilecek kıvılcım oluşturur.
- ▶ **Elektrikli el aletini kullanırken çocukları ve diğer kişileri uzak tutunuz.** Dikkatiniz dağılırsa aletin kontrolünü kaybedebilirsiniz.

### Elektrik güvenliği

- ▶ **Topraklanan yüzeyler (örneğin borular, ısıtma sistemleri, ocaklar ve buzdolapları) ile temastan kaçınınız.** Vücudunuzun toprakla teması var ise yüksek bir elektrik çarpması riski söz konusudur.
- ▶ **Elektrikli el aletini yağmurdan veya ıslaklıktan uzak tutunuz.** Elektrikli el aletine su girmesi, elektrik çarpması riskini artırır.

### Kişilerin güvenliği

- ▶ **Dikkatli olunuz, ne yaptığınıza dikkat ediniz ve elektrikli el aleti ile çalışırken mantıklı davranınız.** Yorgunsanız veya uyuşturucu, alkol veya ilaç etkisi altında iseniz elektrikli el aletini kullanmayınız. Elektrikli el aletini kullanırken bir anlık dikkatsizlik ciddi yaralanmalara neden olabilir.
- ▶ **Kişisel koruyucu donanım ve her zaman bir koruyucu gözlük takınız.** Elektrikli el aletinin türüne ve kullanımına göre toz maskesi, kaymayan güvenlik ayakkabısı, koruyucu kask veya kulaklık gibi kişisel koruyucu donanımların kullanılması yaralanma riskini azaltır.
- ▶ **İstem dışı çalışmayı önleyiniz. Aküyü bağlamadan, yerleştirmeden veya taşımadan önce elektrikli el aletinin kapalı olduğundan emin olunuz.** Elektrikli el aletini taşırken parmağınız şalterde ise veya alet açık konumda güç kaynağına takılırsa bu durum kazalara yol açabilir.
- ▶ **Elektrikli el aletini devreye almadan önce ayar aletlerini veya vidalama anahtarlarını çıkartınız.** Dönen bir alet parçasında bulunan bir alet veya anahtar yaralanmalara yol açabilir.
- ▶ **Aşırı bir vücut hareketinden sakınınız. Güvenli bir duruş sağlayınız ve her zaman dengeli tutunuz.** Böylece beklenmedik durumlarda elektrikli el aletini daha iyi kontrol edebilirsiniz.
- ▶ **Uygun kıyafetler giyiniz. Bol kıyafetler giymeyiniz veya takı takmayınız. Saçları, kıyafetleri ve eldivenleri hareket eden parçalardan uzak tutunuz.** Bol kıyafetler, takı veya uzun saçlar hareket eden parçalara takılabilir.
- ▶ **Toz emme ve tutma tertibatları monte edilebiliyorsa bunların bağlı olduğundan ve doğru kullanıldığından emin olunuz.** Bu toz emme tertibatının kullanımı tozdan kaynaklanabilecek tehlikeleri azaltabilir.

### Elektrikli el aletinin kullanımı ve çalıştırılması

- ▶ **Aleti çok fazla zorlamayın. Çalışmanız için uygun olan elektrikli el aletini kullanın.** Uygun elektrikli el aleti ile bildirilen hizmet alanında daha iyi ve güvenli çalışırsınız.
- ▶ **Şalteri bozuk olan elektrikli el aletini kullanmayınız.** Açılıp kapatılmayan bir elektrikli el aleti tehlikelidir ve tamir edilmesi gerekir.
- ▶ **Aletin ayarlarını yapmadan, aksesuar parçalarını değiştirmeden veya aleti başka bir yere koymadan önce aküyü çıkartınız.** Bu önlem, elektrikli el aletinin istem dışı çalışmasını engeller.
- ▶ **Kullanılmayan elektrikli el aletlerini çocukların erişemeyeceği yerde muhafaza edin. Aleti iyi tanımayan veya bu talimatları okumamış kişilere aleti kullandırmayın.** Elektrikli el aletleri bilgisiz kişiler tarafından kullanılırsa tehlikelidir.
- ▶ **Elektrikli el aletlerinin bakımını özenle yapınız. Hareketli parçaların kusursuz çalıştığı ve sıkışmadığı, parçaların kırılıp kırılmadığı veya hasar görüp görmediği, elektrikli el aleti fonksiyonlarının kısıtlanma durumlarını kontrol ediniz. Hasarlı parçaları aleti kullanmadan önce tamir ettiriniz.** Bırçok kazanım nedeni bakımını kötü yapılan elektrikli el aletleridir.
- ▶ **Kesme aletlerini keskin ve temiz tutun.** Özenle bakımı yapılmış keskin bıçak kenarı olan kesme aletleri daha az sıkışır ve kullanımı daha rahattır.
- ▶ **Elektrikli el aletini, aksesuarları, ek aletleri vb. bu talimatlara göre kullanın. Çalışma şartlarını ve yapılacak işi de ayrıca göz önünde bulundurun.** Elektrikli el aletlerinin öngörülen kullanımı dışında kullanılması tehlikeli durumlara yol açabilir.

### Aküli el aletinin kullanımı ve çalıştırılması

- ▶ **Aküleri sadece üretici tarafından tavsiye edilen şarj cihazları ile şarj ediniz.** Belirli bir akü için uygun olan bir şarj cihazı, başka akülerle kullanılırsa yanma tehlikesi vardır.
- ▶ **Elektrikli el aletlerinde sadece bunun için öngörülen aküler kullanılmalıdır.** Başka akülerin kullanılması yaralanmalara ve yanma tehlikelerine yol açabilir.
- ▶ **Kullanılmayan aküleri, kontakların köprülmesine sebep olabilecek ataçlar, madeni paralar, anahtarlar, çiviler, vidalar veya diğer küçük metal cisimlerden uzak tutunuz.** Akü kontakları arasındaki kısa devre yanmalara veya alev oluşumuna sebep olabilir.



- ▶ **Yanlış kullanımda aküden sıvı çıkabilir. Bunlar ile teması önleyiniz.** Dışarı akan akü sıvısı cilt tahrişine ve yanmalarına yol açabilir. Yanlışlıkla temasta su ile durulayınız. Bu sıvı gözle temas ederse ayrıca tıbbi yardım alın.

#### Servis

- ▶ **Elektrikli el aletinizi sadece kalifiye uzman personele ve sadece orijinal yedek parçalar ile tamir ettiriniz.** Böylece elektrikli el aletinin güvenliğinin korunduğundan emin olunur.

#### 2.1.2 Taşlama, zımpara kağıdı taşlaması, tel fırçalarla çalışma, polisaj ve kesici taşlama için ortak güvenlik uyarıları:

- ▶ **Bu elektrikli el aleti taşıyıcı ve kesici taşlama makinesi olarak kullanılabilir. Aletle birlikte verilen tüm güvenlik uyarılarına, talimatlara, tanımlamalara ve verilere dikkat ediniz.** Takip eden talimatlar dikkate alınmazsa elektrik çarpması, yangın ve/veya ağır yaralanmalar meydana gelebilir.
- ▶ **Bu elektrikli el aleti zımpara kağıdı taşlaması, tel fırçayla çalışma ve polisaj için uygun değildir.** Elektrikli el aletinin öngörülmediği kullanımlar tehlike ve yaralanmalara sebep olabilir.
- ▶ **Üretici tarafından bu elektrikli el aletleri için özel olarak öngörülmemeyen veya önerilmeyen aksesuarlar kullanmayınız.** Sadece aksesuarı elektrikli el aletine sabitleyebilemeniz onun güvenli bir şekilde kullanılabilmesi anlamına gelmez.
- ▶ **Kullanılan ek aletin izin verilen devir sayısı, elektrikli el aletinin üzerindeki devir sayısı kadar yüksek olmalıdır.** Uygun olandan daha hızlı dönen aksesuar kırılabilir ve etrafa fırlayabilir.
- ▶ **Dış çap ve kullanılan ek aletin kalınlığı, elektrikli el aletinin ölçü verilerine uymalıdır.** Yanlış ölçülen aletleri yeterince korunamaz veya kontrol edilemez.
- ▶ **Dişi uçlara sahip ek aletler, taşlama milinin dişlisine tam olarak uymalıdır. Flanş ile takılan ek aletlerde ek aletin delik çapı, flanştaki bağlantı noktası çapına uygun olmalıdır.** Elektrikli el aleti üzerine tam olarak sabitlenmeyen ek aletler dengelessiz şekilde döner, çok yoğun şekilde titre ve kontrolün kaybedilmesine neden olabilir.
- ▶ **Hasarlı ek aletleri kullanmayınız. Taşlama diskleri gibi ek aletlerin her kullanımından önce çatlak ve yırtık, aşınma veya aşırı kullanım, gevşek veya kırılmış tel fırça veya kırık tel durumu kontrol edilmelidir.** Elektrikli el aleti veya ek alet yere düştüyse, hasar bakımından kontrol edilmeli veya hasar görmemiş bir ek alet kullanılmalıdır. Ek aleti kontrol edip yerleştirdiğinizde siz ve çevredeki kişiler dönen ek aletin yakınından uzaklaşmalı ve alet bir dakika boyunca en yüksek devir sayısı ile çalıştırılmalıdır. Hasarlı ek aletler çoğunlukla bu test süresinde parçalanır.
- ▶ **Kişisel koruyucu donanım giyiniz. Kullanıma göre tam yüz koruması, göz koruması veya koruyucu gözlük kullanınız. Gerekli olduğu takdirde küçük zımpara veya malzeme parçacıklarını uzak tutan toz maskesi, kulaklık, koruyucu eldiven veya özel önlük giyiniz.** Gözler değişik kullanımlarda oluşan havada uçan yabancı parçacıklardan korunmalıdır. Toz veya solunum maskesi kullanım sırasında ortaya çıkan tozu filtrelemelidir. Uzun süre yüksek seste bulduysanız duyma kaybı meydana gelebilir.
- ▶ **Diğer kişilerin çalışma alanınıza yaklaşmamasına dikkat ediniz. Çalışma alanına giren herkes kişisel koruyucu donanım giymelidir.** İş parçasının kırılmış parçaları veya kırılmış ek aletler uçabilir ve doğrudan çalışma alanının dışında da yaralanmalara sebep olabilir.
- ▶ **Ek aletin gizli elektrik kablolarına temas edebileceği yerlerde çalışıyorsanız elektrikli el aleti sadece izole edilmiş tutamak yüzeyinden tutunuz.** Elektrik ileten bir hat ile temasta metal parçalar da gerilim altında kalır ve elektrik çarpmasına neden olabilir.
- ▶ **Şebeke kablosunu dönen ek aletlerden uzak tutunuz.** Aletin kontrolünü kaybettiğinizde şebeke kablosu ayrılabilir veya tutulabilir ve eliniz veya kolunuz dönen ek aletin içine girebilir.
- ▶ **Elektrikli el aletini, ek alet tamamen durmadan önce asla kapatmayınız.** Dönen ek alet, elektrikli el aletinin kontrolünü kaybedebileceğiniz altlık yüzeyine doğru gidebilir.
- ▶ **Taşıdığınız sırada elektrikli el aleti çalışır durumda olmamalıdır.** Kiyafetiniz dönen ek alete istem dışı takılabilir ve ek alet vücudunuzu delebilir.
- ▶ **Elektrikli el aletinizin havalandırma deliklerini düzenli bir şekilde temizleyiniz.** Motor fanı muhafazaya toz çeker ve metal tozlarının birikmesinden dolayı elektrik kazalarına neden olabilir.
- ▶ **Elektrikli el aletini yanıcı maddelerin yakınında kullanmayınız.** Kıvılcımlar bu maddeleri tutuşturabilir.
- ▶ **Sıvı soğutma maddesi gerektiren ek aletleri kullanmayınız.** Su ve diğer sıvı soğutma maddelerinin kullanılması elektrik çarpmasına neden olabilir.

#### Geri tepme ve ilgili güvenlik uyarıları

Geri tepme; taşlama diski, taşlama tablası, tel fırça vb. dönen bir ek aletin sıkışması veya bloke olması nedeniyle ani bir tepki vermesidir. Sıkışma veya bloke olma nedeniyle dönen ek alet aniden durur. Bu nedenle kontrol edilemeyen elektrikli el aleti, blokaj noktasında ek aletin dönüş yönünün tersine ivmelenir.

Örneğin bir taşlama diski iş parçasında sıkışır veya bloke olursa, iş parçasına giren zımpara diskinin kenarı sıkışabilir ve bu nedenle taşlama diski kırılabilir veya geri tepmeye neden olabilir. Taşlama diski, blokaj



noktasında diskin dönüş yönüne bağlı olarak kullanan kişinin üzerine doğru veya kullanan kişiden uzağa doğru hareket eder. Bu durumda taşlama diskleri de kırılabilir.

Elektrikli el aletinin yanlış veya hatalı kullanılması sonucunda geri tepme meydana gelir. Aşağıda tanımlanan özel önlemler alınarak geri tepme engellenebilir.

- ▶ **Elektrikli el aletini sıkıca tutunuz ve vücudunuzu ve kollarınızı geri tepmelere karşı koyabileceğiniz şekle getiriniz. Geri tepmelerde ve yüksek devirlerdeki reaksiyon anlarında kontrolü sağlayabilmek için her zaman ilave tutamaktan tutunuz.** Aleti kullanan kişi özel önlemler olarak geri tepme veya reaksiyon güçlerine karşı koyabilir.
- ▶ **Elinizi kesinlikle dönen ek aletlerin yakınlarında bulundurmayınız.** Ek alet geri teperken elinizin üzerinden geçebilir.
- ▶ **Vücudunuzu elektrikli el aletinin bir geri tepmede hareket ettiği bölgeden uzak tutunuz.** Geri tepme blokaj yerinde elektrikli el aleti taşlama diskinin hareketinin ters yönünde hareket ettirir.
- ▶ **Özellikle köşelerde ve keskin kenarlı yerlerde daha dikkatli bir şekilde çalışınız. Ek aletlerin iş parçasından geri tepmesini ve iş parçasına sıkışmasını engelleyiniz.** Dönen ek alet köşelerde, keskin kenarlarda veya çarpıtığında sıkışmaya meyillidir. Bu bir kontrol kaybına veya geri tepmeye neden olur.
- ▶ **Zincir veya dişli testere bıçağı kullanmayınız.** Bu tür ek aletler, çoğunlukla bir geri tepmeye veya elektrikli el aleti üzerindeki kontrolün kaybedilmesine neden olur.

#### **Taşlama ve kesici taşlama için özel güvenlik uyarıları:**

- ▶ **Elektrikli el aletiniz için sadece izin verilen zımparalama gövdesi ve bu zımparalama gövdesi için öngörülen koruma başlığını kullanınız.** Elektrikli el aleti için ön görülmemiş olan taşlama çarkları yeterince korumalı değildir ve güvenli değildir.
- ▶ **Alçak taşlama diskleri, taşlama yüzeylerinin koruma başlığı kenarından taşmayacağı şekilde takılmalıdır.** Uygun olmayan şekilde takılan ve koruma başlığı kenarından taşan bir taşlama diskli yeterince yağlanamaz.
- ▶ **Koruma başlığı elektrikli el aletine güvenli bir şekilde takılmalı ve maksimum güvenlik için taşlama gövdesinin mümkün olan en küçük parçası kullanıcı tarafını göstermelidir.** Koruma başlığı kullanan kişiyi; kırılan parçalardan, taşlama gövdeleriyle temas etmekten veya kılıcım ve kıyafetin alev almasından korumaya yardım eder.
- ▶ **Zımparalama gövdeleri sadece önerilen uygulama imkanları için kullanılmalıdır. Örnek: Asla kesim için kesme diskinin yan tarafını kullanmayınız.** Kesme diskleri diskin kenarı ile malzemenin kazınması için uygundur. Zımparalama gövdesine yanlardan uygulanan kuvvetten dolayı kırılma meydana gelebilir.
- ▶ **Sizin tarafınızdan seçilen zımpara diski için daima hasar görmemiş uygun ebatta ve şekilde sıkma flanşları kullanınız.** Uygun olan flanşlar taşlama diskini destekler ve taşlama diskinin kırılma tehlikesini azaltır. Kesme diskleri flanşları diğer taşlama diskleri flanşlarından farklıdır.
- ▶ **Daha büyük elektrikli el aletlerine ait kullanılmış taşlama disklerini kullanmayınız.** Büyük elektrikli el aletleri için kullanılan taşlama diskleri daha küçük elektrikli el aletlerinin daha yüksek devir sayıları için tasarlanmamıştır ve kırılabilir.

#### **Kesici taşlama için diğer özel güvenlik uyarıları:**

- ▶ **Kesme diskinin bloke olmasını ve çok yüksek presleme basıncını önleyiniz. Çok derin kesimler yapmayınız.** Kesme diskinin aşırı kullanımı aletin aşınmasını artırır ve kırılma tehlikesi ve blokaja neden olabilir ve bu nedenle bir geri tepme veya zımparalama gövdesinin kırılması söz konusu olabilir.
- ▶ **Döner kesme diskinin ön ve arka tarafındaki alandan uzak durunuz.** Eğer kesme diski iş parçasında kendinizden başka bir yöne hareket ettirirseniz, geri tepme sonucu elektrikli el aleti döner disk ile birlikte doğrudan size doğru hareket eder.
- ▶ **Eğer kesme diski sıkışyorsa veya çalışmaya ara vererseniz, aleti kapatınız ve disk durana kadar bekleyiniz. Asla çalışır durumdaki kesme diskini iş parçasından çekmeyiniz, aksi takdirde bir geri tepme meydana gelebilir.** Sıkışmanın sebebini belirleyiniz ve sebebini gideriniz.
- ▶ **Elektrikli el aletini iş parçası üzerine getirilmediği sürece devreye almayınız. Dikkatlice kesime devam edilmeden önce kesme diskinin tam devir sayısına ulaşmasını sağlayınız.** Aksi takdirde diskler takılabilir, iş parçasından çıkabilir ve geriye doğru bir darbeye neden olabilir.
- ▶ **Sıkışan bir kesme diskinin geri tepmesini önlemek için levhaları veya büyük iş parçalarını destekleyiniz.** Büyük iş parçaları kendi ağırlıklarından dolayı bükülebilir. İş parçası; diskin her iki tarafından, kesme bölgesine yakın bir noktadan ve aynı zamanda kenardan desteklenmelidir.
- ▶ **Mevcut duvarlarda veya görülemeyen diğer alanlarda özellikle "Cep kesimlerinde" çok dikkatli olunuz.** Derine dalan kesme diski gaz, su, elektrik hatlarının ve diğer nesnelerin kesiminde geriye doğru tepmeye neden olur.

### **2.1.3 Ek güvenlik uyarıları**

#### **Kişilerin güvenliği**

- ▶ Ürünü sadece teknik açıdan sorunsuz durumdakinden kullanınız.



- ▶ Alette hiçbir zaman tadilat veya deęişiklik yapmayınız.
- ▶ Dönen parçalara temas etmekten kaçınınız - Yaralanma tehlikesi!
- ▶ Matkap ucu deęişimi sırasında koruyucu eldiven takınız. Ek alete takılan uçlara dokunmak kesik ve yanık türünde yaralanmalara yol açabilir.
- ▶ Çalışmaya başlamadan önce çalışma sırasında ortaya çıkan tozun tehlike sınıfını öğreniniz. Ülkemizdeki tozdan koruma yönergelerine uygun bir resmi koruma sınıfına sahip toz emme tertibatı kullanınız. Kurşun içeren boyalar gibi malzemelerin tozu, bazı ahşap türleri, kuartz içeren beton / duvar / taşlar, mineraller ve metaller sağlığa zarar verebilir.
- ▶ Çalışma yerinin iyi havalandırmasını sağlayın ve gerektiği durumlarda ilgili toz için uygun olan bir maske kullanınız. Tozlara dokunulması veya tozların solunması, kullanıcıda veya yakınında bulunan kişilerde alerjik reaksiyonlara ve/veya solunum yolu hastalıklarına yol açabilir. Kayın veya meşe ağacı gibi belli tür tozlar özellikle ahşap işlemede ek maddelerle (kromat, ahşap koruyucu malzemeler) bağlantılı çalışıldığında kanser yapıcı olarak kabul edilir. Asbest içerikli malzemeler sadece uzman kişiler tarafından işlenmelidir.
- ▶ Parmaklarındaki kan dolaşımının daha iyi olması için çalışma molaları veriniz ve egzersizler yapınız. Uzun süren çalışmalarda titreşim, parmaklar, eller veya bileklerdeki sinir sisteminde veya kan damarlarında rahatsızlıklara neden olabilir.

### **Elektrik güvenliği**

- ▶ Çalışmaya başlamadan önce çalışma alanında üzeri kapatılmış elektrik kablosu, gaz ve su borusu bulunup bulunmadığını kontrol ediniz. Bir elektrik hattına kazara zarar verilmesi halinde, aletin dışındaki metal parçalar elektrik çarpmasına neden olabilir.

### **Elektrikli el aletleri ile dikkatli çalışılması ve aletin doğru kullanılması**

- ▶ Kazıma zımparalaması için kesici zımpara diskleri kullanmayınız.
- ▶ Ek aleti ve flanş iyice sıkınız. Ek alet ve flanş iyice sıkılmamışsa, kapatma sonrasında, ek aletin frenleme esnasında alet motoru tarafından milinden ayrılması söz konusu olabilir.
- ▶ Kullanım ve depolama konusunda taşıma diskleri üreticisinin talimatlarına dikkat ediniz.

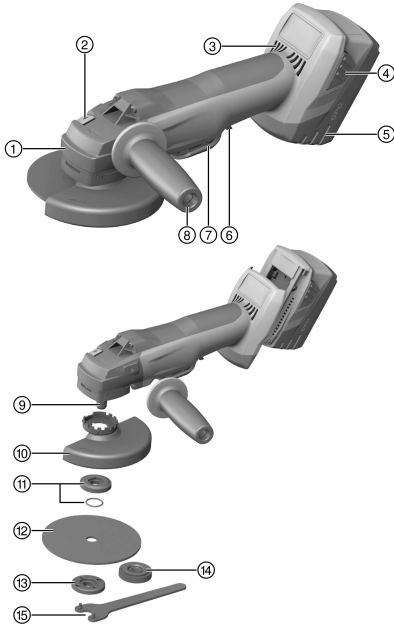
### **2.1.4 Akülü aletlerin özenli çalıştırılması ve kullanımı**

- ▶ Lityum İyon akülerin taşıma, depolama ve kullanımına yönelik özel talimatları dikkate alınız.
- ▶ Aküler, yüksek sıcaklıklarda, doğrudan güneş ışığından ve ateşten uzak tutulmalıdır.
- ▶ Aküler parçalarına ayrılmamalı, ezilmemeli, 80°C üzerine ısıtılmamalı veya yakılmamalıdır.
- ▶ Darbe almış, bir metreden daha yüksek bir yerden düşmüş veya başka bir şekilde hasar görmüş aküleri kullanmayınız veya şarj etmeyiniz. Bu durumda her zaman **Hilti servisi** ile irtibat kurunuz.
- ▶ Akü tutulamayacak kadar sıcaksa arızalı olabilir. Ürünü yanıcı malzemelerden yeterli bir uzaklıkta, gözlemleyebileceğiniz yanmaz bir zemin üzerine koyunuz ve soğuması için bırakınız. Bu durumda her zaman **Hilti servisi** ile irtibat kurunuz.



### 3 Tanımlama

#### 3.1 Ürüne genel bakış



- ① Kapak açma düğmesi
- ② Mil ayarlama düğmesi
- ③ Havalandırma delikleri
- ④ "Şarj durumu göstergesinin devreye alınması" ilave fonksiyonuna sahip kilit açma düğmesi
- ⑤ Akü
- ⑥ Devreye alma kilidi
- ⑦ Açma/kapatma şalteri
- ⑧ Titreşim sönümlayicili yan tutamak
- ⑨ Mil
- ⑩ Standart koruma başlığı
- ⑪ O-ringli sıkma flanşı
- ⑫ Kesici taşlama disk / kaba zımparalama disk
- ⑬ Germe somunu
- ⑭ Hızlı bağlantı somunu **Kwik lock** (opsiyonel)
- ⑮ Sıkma anahtarı

#### 3.2 Usulüne uygun kullanım

Tanımlanan ürün, elle kullanılan, aküyle çalışan bir açılı taşlayıcıdır. Alet metalik ve mineralli maddelerin kesici taşlama ve kaba zımparalamasını yapmak için tasarlanmıştır ve su kullanmadan fayans delmek için kullanılır. Yalnız kuru taşlama/kesme işlemleri için kullanılabilir.

- Mineralli maddelerde kesici taşlama, yiv açma ve kaba zımparalama çalışmaları sadece ilgili koruma başlığı (opsiyonel olarak temin edilebilir) ile olanaklıdır.
- Prensipte beton veya taş gibi mineralli zeminlerde gerçekleştirilen çalışmalarda, uygun bir **Hilti** toz emme makinesi ile buna ait bir toz emme muhafazası kullanılmalıdır.
- ▶ Bu ürün için sadece B 22 tip serisi **Hilti** Lityum İyon aküler kullanınız.
- ▶ Bu aküler için sadece C4/36 serisi **Hilti** şarj cihazları kullanınız.

#### 3.3 Teslimat kapsamı

Açılı taşlayıcı, yan tutamak, standart koruma başlığı, ön kapak, sıkma flanşı, germe somunu, sıkma anahtarı, kullanım kılavuzu.

Ürün için izin verilen diğer sistem ürünlerini **Hilti Store**'da veya şu adreste bulabilirsiniz: [www.hilti.group](http://www.hilti.group)

#### 3.4 Sıcaklığa bağlı alet koruması

Sıcaklığa bağlı motor koruması, güç girişini ve motorun ısınmasını denetler ve aleti aşırı ısınmaya karşı korur. Presleme basıncı nedeniyle motor aşırı yüklendiğinde aletin performansı fark edilir biçimde düşer veya alet durabilir.

Aşırı yüklenme neticesinde durma veya devir sayısında düşüş yaşanırsa aletin yükünü azaltmalı ve yaklaşık 30 saniye rölantide çalıştırmalısınız.



### 3.5 Ön kapaklı koruma başlığı 2

Metal malzemelerin işlenmesi sırasında düz kaba zımparalama diskleriyle kaba zımparalama için ve kesici taşlama diskleriyle kesici taşlama için ön kapağa sahip standart koruma başlığı kullanınız.

### 3.6 Toz kapağı (kesme) DC-EX 125/5"C Kompakt kapak (aksesuar) 3

Mineral zeminlerde elmas taşlama diski ile kesici taşlama işleri için kompakt başlık DC-EX 125/5" C kullanılmalıdır.

**DIKKAT** Bu başlık ile metal işlemek yasaktır.

### 3.7 Toz kapağı (taşlama) DG-EX 125/5" (aksesuar) 4

Bu taşlama sistemi, yalnızca elmas konik disklerle mineralli yüzeylerin taşlanması için uygundur.

**DIKKAT** Bu başlık ile metal işlemek yasaktır.

### 3.8 Lityum İyon akülerin şarj durumu göstergesi

Lityum İyon akülerin şarj durumu, her iki kilit açma tuşuna hafifçe basarak görüntülenebilir.

Durum	Anlamı
4 LED yanıyor.	Şarj durumu: % 75 ile %100 arası
3 LED yanıyor.	Şarj durumu: % 50 ile %75' aralığında
2 LED yanıyor.	Şarj durumu: % 25 ile %50' aralığında
1 LED yanıyor.	Şarj durumu: % 10 ile %25 arası
1 LED yanıp sönüyor.	Şarj durumu: < % 10



Çalışma esnasında ve çalışmadan sonra doğrudan şarj durumunun kontrol edilmesi mümkün değildir. Akü şarj durumu göstergesinin LED'leri yanıp söndüğünde lütfen Arızalar bölümdeki uyarıları dikkate alınız.

## 4 Sarf malzemesi

Sadece yapay reçine bağlantılı liflerle güçlendirilmiş diskler (maks. Ø 125 mm) kullanılmalıdır. Bu diskler en az 11000/dak devir sayısı ve 80 m/san çevresel hız için uygun olmalıdır.

İlgili disk kalınlığı, kaba zımparalama diskleri için maksimum 6,4 mm ve kesici taşlama diskleri için maksimum 3 mm olmalıdır.

**DIKKAT!** Kesici taşlama diskleri ile yapılan kesme ve yiv açma çalışmaları sırasında her zaman ilave ön kapaklı standart koruma başlığı veya komple kapalı bir toz kapağı kullanınız.

### Diskler

	Uygulama	Kısa işaret	Zemin
Aşındırıcı kesici taşlama diski	Kesici taşlama, yiv açma	AC-D	metalik
Elmas kesici taşlama diski	Kesici taşlama, yiv açma	DC-TP, DC-D (SPX, SP, P)	mineralli
Aşındırıcı kaba zımparalama diski	Kaba zımparalama	AG-D, AF-D, AN-D	metalik
Elmas kaba zımparalama diski	Kaba zımparalama	DG-CW (SPX, SP, P)	mineralli
Elmas karot ucu	Fayans delme	DD-M14	mineralli

### Kullanılan donanıma göre disklerin belirlenmesi

Po- zis- yon	Donanım	AC-D	AG-D	AF-D	AN-D	DG-CW	DC-D	DD-M14
A	Koruma başlığı	X	X	X	X	X	X	X
B	Ön kapak (A ile bağlantılı olarak)	X	—	—	—	—	X	—





Po- zis- yon	Donanım	AC-D	AG-D	AF-D	AN-D	DG-CW	DC-D	DD-M14
C	Toz kapağı (taşlama) DG-EX 125/5"	—	—	—	—	X	—	—
D	Toz kapağı (kesme) DC-EX 125/5"C (A ile bağlantılı olarak)	—	—	—	—	—	X	—
E	Yan tutamak	X	X	X	X	X	X	X
F	Kulplu tutamak DCBG 125 (E için opsiyonel)	X	X	X	X	X	X	X
G	Germe somunu	X	X	X	X	X	X	—
H	Sıkma flanşı	X	X	X	X	X	X	—
I	<b>Kwik lock</b> (G için opsiyonel)	X	X	X	X	—	X	—

## 5 Teknik veriler

	AG 125-A22
<b>Nominal gerilim</b>	21,6 V
<b>Ölçme devir sayısı</b>	9.500 dev/dak
<b>Maksimum disk çapı</b>	125 mm
<b>EPTA Procedure 01 uyarınca akümülatör dahil ağırlıkB228.0</b>	3,3 kg
<b>Vida dişli tahrik mili</b>	M14
<b>Mil uzunluğu</b>	22 mm

### 5.1 EN 60745 uyarınca ses bilgisi ve titreşim değerleri

Bu talimatlarda belirtilen ses basıncı ve titreşim değerleri, ilgili normlara uygun bir ölçüm metodu ile ölçülmüştür ve elektrikli el aletlerinin birbirleri ile karşılaştırılması için kullanılabilir. Zorlanmaların geçici olarak değerlendirilmesine de uygundur. Belirtilen değerler, elektrikli el aletinin ana kullanım alanlarını temsil eder. Elektrikli el aletinin, farklı ek aletlerle veya yetersiz bakım yapılmış şekilde kullanılması durumunda, veriler sapma gösterebilir. Bu durum, toplam çalışma süresi boyunca zorlanmayı belirgin şekilde yükseltebilir. Doğru bir zorlanma değerlendirmesi için aletin kapatıldığı veya çalışır konumda olduğu ve ayrıca kullanımda olmadığı zamanlar da dikkate alınmalıdır. Bu durum, toplam çalışma süresi boyunca zorlanmayı belirgin şekilde azaltabilir. Kullanıcıyı ses ve/veya titreşimin etkilerinden koruyacak ek güvenlik önlemleri belirleyiniz, örneğin: Elektrikli el aletinin ve ek aletlerin bakımının yapılması, ellerin sıcak tutulması, iş akışlarının düzenlenmesi.

#### Ses bilgileri

<b>Emisyon ses basıncı seviyesi (<math>L_{pA}</math>)</b>	83 dB(A)
<b>Emniyetsizlik ses basıncı seviyesi (<math>K_{pA}</math>)</b>	3 dB(A)
<b>Ses gücü seviyesi (<math>L_{WA}</math>)</b>	94 dB(A)
<b>Ses gücü seviyesi için emniyetsizlik (<math>K_{WA}</math>)</b>	3 dB(A)

#### Vibrasyon bilgileri

Kesme gibi diğer kullanımlar farklı vibrasyon değerlerine neden olabilir.

<b>Vibrasyonu azaltılmış tutamaklı üst yüzey taşlama (<math>a_{hAG}</math>)</b>	3,8 m/sn <sup>2</sup>
<b>Emniyetsizlik (K)</b>	1,5 m/sn <sup>2</sup>

### 5.2 Akü

<b>Akü çalışma gerilimi</b>	21,6 V
<b>İşletim sırasındaki ortam sıcaklığı</b>	-17 °C ... 60 °C



Depolama sıcaklığı	-20 °C ... 40 °C
Şarj başlangıcında akü sıcaklığı	-10 °C ... 45 °C

## 6 Çalıştırma

### 6.1 Akünün yerleştirilmesi 5

#### ⚠ DİKKAT

**Yaralanma tehlikesi.** Açılı taşlayıcının istek dışı biçimde çalıştırılması nedeniyle.

- ▶ Aküyü takmadan önce açılı taşlayıcının kapalı konumda ve devreye alma kilidinin aktif olduğundan emin olunuz.

#### ⚠ DİKKAT

**Elektrik tehlikesi.** Kirli kontaklar nedeniyle kısa devre yaşanabilir.

- ▶ Aküyü yerleştirmeden önce akünün temas noktalarında ve açılı taşlayıcının temas noktalarında yabancı cisim bulunmadığından emin olunuz.

#### ⚠ DİKKAT

**Yaralanma tehlikesi.** Akü eğer doğru biçimde yerleştirilmezse, çalışma sırasında düşebilir.

- ▶ Akünün yere düşmemesi ve başka tehlikelere neden olmaması için alete güvenli biçimde oturup oturmadığını kontrol ediniz.
- ▶ Aküyü yerleştiriniz ve akünün alete güvenli biçimde oturup oturmadığını kontrol ediniz.

### 6.2 Akünün çıkartılması 6

- ▶ Aküyü çıkartınız.

### 6.3 Yan tutamağın takılması

- ▶ Yan tutamağı öngörülen dişli kovana vidalayınız.

### 6.4 Koruma başlığının takılması veya sökülmesi

#### ⚠ DİKKAT

**Yaralanma tehlikesi.** Ek alet sıcak veya keskin kenarlı olabilir.

- ▶ Takma, sökme, ayar çalışmaları ve arıza giderme sırasında koruyucu eldiven takınız.
- ▶ İlgili koruma başlığının montaj kılavuzuna dikkat ediniz.

#### 6.4.1 Koruma başlığının takılması 7



Koruma başlığı, yalnızca bir aletin ilgili koruma başlığına takılmasını garantilemek için bir kodlama noktasına sahiptir. Koruma başlığı, aletin başlık takma yuvasındaki kodlama noktasıyla çalışır.

1. Koruma başlığını, koruma başlığındaki ve aletteki her iki üçgen işaret karşı karşıya gelecek biçimde mil halkasına takınız.
2. Koruma başlığını mil halkasına bastırınız.
3. başlığın kilit açma düğmesine basınız.
4. Koruma başlığı yerine oturuncaya ve başlık kilit açma düğmesi geri gelinceye kadar koruma başlığını çeviriniz.

#### 6.4.2 Koruma başlığının ayarlanması

- ▶ Muhafaza kilit açma düğmesine basınız, koruma başlığını istenen konumda yuvasına oturtana kadar bastırınız.

#### 6.4.3 Koruma başlığının sökülmesi

1. Koruma başlığı kilit açma düğmesine bastırınız ve aletteki ve koruma başlığındaki her iki üçgen işaret birbirinin karşısına gelinceye kadar koruma başlığını döndürünüz.
2. Koruma başlığını çıkarınız.



## 6.5 Ön kapağın takılması veya sökülmesi 3



Ön kapak ile çalışılacaksa ön kapak koruma başlığına takılmalıdır.

1. Ön kapağı, kapalı tarafı standart koruma başlığına gelecek biçimde, kilit yerine oturana kadar bastırınız.
2. Sökmek için ön kapağın kilidini açınız ve bunu standart koruma başlığından çıkarınız.

## 6.6 DC-EX 125/5 inç toz kapağını (kesme) konumlandırınız 9

- Kompakt başlığı konumlandırırken, açma/kapatma şalterinin daima erişilebilir ve kullanılabilir olmasına dikkat edilmelidir.

## 6.7 Ek aletin takılması veya sökülmesi

### ⚠ DİKKAT

**Yaralanma tehlikesi.** Ek alet sıcak olabilir.

- Ek aleti değiştirirken koruyucu eldiven takınız.



Elmas bıçaklar, kesme ve taşlama performanslarında belirgin düşüşler görüldüğünde değiştirilmelidir. Genellikle elmas bölümlerin yüksekliği 2 mm altına düştüğünde böyle bir durumdan söz edilebilir.

Diğer disk tipleri, kesme performansında belirgin düşüşler görülmesi veya açılı taşıyıcı parçalarının (disk dışında) çalışma sırasında çalışılan malzemeye temas etmesi halinde değiştirilmelidir.

Aşındırıcı diskler son kullanım tarihleri dolduğunda değiştirilmelidir.

### 6.7.1 Ek aletin takılması 10

1. Aküyü çıkartınız. → Sayfa 156
2. Sıkma flanşındaki o-ringin mevcut ve hasarsız olup olmadığını kontrol ediniz.

#### Sonuç

O-Ring hasarlı.

Sıkma flanşında o-ring yok.

- O-ringli yeni bir sıkma flanşı takınız.

3. Sıkma flanşını şekle uygun olacak ve dönmeyecek konumda mile oturtunuz.
4. Ek aleti yerleştiriniz.

### ⚠ İKAZ

**Yaralanma tehlikesi.** Alet motorunun frenlenmesi sırasında ek alet gevşeyebilir.

- Ek alete veya germe somununa dokunmadan önce ek aletin tamamen durmasını bekleyiniz.
- Ek aleti ve sıkma flanşını germe somunu ile sıkıca gererek alet motoru frenlendiğinde parçaların mil bağlantısının gevşememesini sağlayınız.

5. Germe somununu yerleştirilen ek alete uygun olarak sabitleyiniz.
6. Mil ayarlama düğmesine basınız ve basılı tutunuz.
7. Sıkma anahtarı ile germe somununu sıkınız, ardından mil kilitleme düğmesini serbest bırakınız ve sıkma anahtarını çıkartınız.

### 6.7.2 Ek aletin sökülmesi

1. Aküyü çıkartınız. → Sayfa 156

### ⚠ DİKKAT

**Kırılma ve zarar görme tehlikesi.** Mil dönerken mil kilitleme düğmesine basılığında, ek alet gevşeyebilir.

- Mil kilitleme düğmesine sadece mil dururken basınız.
2. Mil ayarlama düğmesine basınız ve basılı tutunuz.
  3. Germe somununu yerleştirip saat yönünün tersinde döndürerek hızlı bağlanti somununu sökünüz.
  4. Mil kilitleme düğmesini serbest bırakınız ve ek aleti çıkarınız.



**6.7.3 Kwik lock hızlı germe somunlu ek aletin takılması****⚠ DİKKAT**

**Kırılma tehlikesi.** Çok fazla aşınma durumunda **Kwik lock** hızlı bağlantı somunu kırılabilir.

- ▶ Çalışırken **Kwik lock** hızlı bağlantı somununun zemin ile temas etmemesine dikkat ediniz.
- ▶ Hasarlı hızlı bağlantı somunu **Kwik lock** kullanmayınız.



Germe somunu yerine opsiyonel olarak **Kwik lock** hızlı germe somunu kullanılabilir. Böylece ek aletler ilave takım kullanılmadan değiştirilebilir.

1. Aküyü çıkartınız. → Sayfa 156
2. Sıkma flanşını ve hızlı germe somununu temizleyiniz.
3. Sıkma flanşı mile oturtulmalıdır.
4. Ek aleti yerleştiriniz.
5. Ek alet üzerindeki yerine tamamen oturana kadar **Kwik lock** hızlı germe somununu sıkınız.
  - ▶ **Kwik lock** etiketi, vidalanmış durumdayken görünür olmalıdır.
6. Mil ayarlama düğmesine basınız ve basılı tutunuz.
7. **Kwik lock** hızlı germe somunu sıkılıncaya kadar ek aleti elinizle güçlü biçimde saat yönünde çeviriniz ve sonra mil kilitleme düğmesini serbest bırakınız.

**6.7.4 Kwik lock hızlı germe somunlu ek aletin sökülmesi**

1. Aküyü çıkartınız. → Sayfa 156

**⚠ DİKKAT**

**Kırılma ve zarar görme tehlikesi.** Mil dönerken mil kilitleme düğmesine basılığında, ek alet gevşeyebilir.

- ▶ Mil kilitleme düğmesine sadece mil dururken basınız.
2. Mil ayarlama düğmesine basınız ve basılı tutunuz.
  3. Hızlı germe somununu elle saat yönünün tersinde döndürerek **Kwik lock** hızlı germe somununu sökünüz.
  4. **Kwik lock** hızlı germe somunu elle sökülemiyorsa bir sıkma anahtarını hızlı germe somununa yerleştiriniz ve saat yönünün tersinde döndürünüz.



**Kwik lock** hızlı germe somununun hasar görmemesi için asla bir boru anahtarı kullanmayınız.

5. Mil kilitleme düğmesini serbest bırakınız ve ek aleti çıkartınız.

**6.7.5 Karot ucunun monte edilmesi**

1. Aküyü çıkartınız. → Sayfa 156
2. Yan tutamağı takınız. → Sayfa 156
3. Koruma başlığını takınız. → Sayfa 156
4. Karot ucunu yerleştiriniz ve bunu elle sıkınız.
5. Mil ayarlama düğmesine basınız ve basılı tutunuz.
6. Karot ucunu uygun bir çatal anahtar ile sıkınız.
7. Ardından mil kilitleme düğmesini serbest bırakınız ve çatal anahtarı çıkartınız.

**7 Kullanım****7.1 Taşlama****⚠ DİKKAT**

**Yaralanma tehlikesi.** Ek alet aniden bloke olabilir veya takılabilir.

- ▶ Aleti her zaman yan tutamak (opsiyonel olarak kulplu tutamak) ile kullanınız ve aleti her iki elinizle sabit tutunuz.



## 7.2 Kesici taşlama

- ▶ Taşlayarak kesme sırasında orta besleme gücüyle çalışınız ve aletin veya kesici taşlama diskinin uçlarının kıvrılmamasına dikkat ediniz (çalışma konumu ile kesme yüzeyi arasındaki açı yakl. 90°).



Kesici taşlama diskinin en küçük kesitlere yerleştirilmesi, profillerin ve dört köşe boruların ayrılması en uygun yoldur.

## 7.3 Kaba zımparalama



### DİKKAT

**Yaralanma tehlikesi.** Kesici taşlama diski patlayabilir ve fırlayan parçalar yaralanmalara neden olabilir.

- ▶ Kaba zımparalama için asla kesici taşlama diskleri kullanmayınız.
- ▶ Aleti, 5° ile 30° arasında bir yerleştirme açısıyla ve ölçülü bir basınçla ileri-geri hareket ettiriniz.
  - ▶ İş parçası çok ısınmaz, renk değiştirmez ve kanal oluşmaz.

## 7.4 Devreye alma kilidini açma/kapatma şalterinin açılması



Devreye alma kilidine sahip açma/kapatma şalteri ile şalter fonksiyonunu kontrol edebilir ve aletin istem dışı devreye girmesini engelleyebilirsiniz.

1. Devreye alma kilidini öne doğru bastırınız.
  - ▶ Açma/kapatma şalterinin kilidi açılır.
2. Açma/kapatma şalterine sonuna kadar basınız.
  - ▶ Alet motoru rölantri devir sayısıya çalışıyor.

## 7.5 Devreye alma kilidini açma/kapatma şalterinin kapatılması

- ▶ Açma/ Kapatma şalterini serbest bırakınız.
  - ▶ Devreye alma kilidi otomatik olarak kilitleme pozisyonuna geçer.

## 8 Bakım ve onarım



### İKAZ

**Takılı aküden dolayı yaralanma tehlikesi !**

- ▶ Tüm bakım ve onarım çalışmalarından önce her zaman aküyü çıkarınız!

### Alet bakımı

- Yapışmış olan kir dikkatlice çıkarılmalıdır.
- Havalandırma deliklerini kuru bir fırça ile dikkatlice temizleyiniz.
- Gövde sadece hafif nemli bir bezle temizlenmelidir. Plastik parçalara yapışabileceğinden silikon içerikli bakım maddeleri kullanılmamalıdır.

### Lityum İyon akülerin bakımı

- Akü temiz ve yağ ve gresten uzak tutulmalıdır.
- Gövde sadece hafif nemli bir bezle temizlenmelidir. Plastik parçalara yapışabileceğinden silikon içerikli bakım maddeleri kullanılmamalıdır.
- Aletin içine nem girişi engellenmelidir.

### Bakım

- Görünür tüm parçalarda hasar olup olmadığı ve kumanda elemanlarının sorunsuz şekilde çalıştığı kontrol edilmelidir.
- Hasar ve/veya fonksiyon arızaları durumunda ürün çalıştırılmamalıdır. Derhal **Hilti** servisi tarafından onarılmalıdır.
- Bakım ve onarım çalışmalarından sonra tüm koruma tertibatları yerleştirilmeli ve fonksiyonları kontrol edilmelidir.





Güvenli çalışma için sadece orijinal yedek parçalar ve sarf malzemeleri kullanınız. Tarafımızdan onaylanmış, yedek parçaları, aksesuarları ve sarf malzemelerini **Hilti Store** veya adresinde bulabilirsiniz. [www.hilti.group](http://www.hilti.group).

## 9 Akü aletlerinin taşınması ve depolanması

### Taşıma

#### DİKKAT

#### Taşıma sırasında aletin istem dışı çalışması !

- Ürünlerinizi her zaman aküler takılı olmadan taşıyınız!
- Akülerin çıkarılması.
- Aküler kesinlikle sıkıca bağlanmamış koruma ile taşınmamalıdır.
- Uzun süren depolama sonrası kullanmadan önce aletin ve akülerin hasar görmüş olup olmadığını kontrol ediniz.

### Depolama

#### DİKKAT

#### Arızalı veya akan aküler nedeniyle beklenmeyen hasar oluşumu !

- Ürünlerinizi her zaman aküleri yerleştirmeden depolayınız!
- Aleti ve aküleri mümkün olduğunca soğuk ve kuru yerde depolayınız.
- Aküleri kesinlikle güneşte, sıcakta veya cam levhaların arkasında depolamayınız.
- Aleti ve aküleri çocukların ve yetki verilmeyen kişilerin ulaşamayacağı yerlerde depolayınız.
- Uzun süren depolama sonrası kullanmadan önce aletin ve akülerin hasar görmüş olup olmadığını kontrol ediniz.

## 10 Arıza durumunda yardım

Bu tabloda listelenmemiş veya kendi başınıza gideremediğiniz arızalarda lütfen yetkili **Hilti** servisimiz ile irtibat kurunuz.


### 10.1 Hata arama

Arıza	Olası sebepler	Çözüm
Akü normalden daha hızlı boşalıyor.	Çok düşük ortam sıcaklığı.	► Aküyü yavaşça oda sıcaklığına ulaşacak biçimde ısınmaya bırakınız.
Akü duyulabilir bir "klik" sesi ile yerine oturmuyor.	Akünün kilit tırnakları kirlenmiş.	► Kilit tırnaklarını temizleyiniz ve aküyü yeniden yerine oturtunuz.
1 LED yanıp sönüyor. Alet çalışmıyor.	Akü deşarj olmuş. Akü çok sıcak veya çok soğuk.	► Aküyü değiştiriniz ve boş aküyü şarj ediniz. ► Aküyü yavaşça oda sıcaklığına ulaşacak biçimde ısınmaya veya soğumaya bırakınız.
4 LED'in tümü yanıp söner. Alet çalışmıyor.	Alet aşırı yüklenmiş.	► Kumanda şalterini bırakınız ve şaltere sonra yeniden basınız. Aleti yaklaşık 30 saniye rölati devir hızında çalıştırınız.
Açılı taşıyıcıda veya aküde yoğun ısı oluşması.	Elektrik arızası	► Aleti hemen kapatınız, aküyü çıkartınız, gözleyiniz, soğumaya bırakınız ve <b>Hilti</b> servisi ile irtibat kurunuz.
Alet, tam güce sahip değil.	Daha düşük kapasiteli bir akü yerleştirildi.	► Yeterli kapasiteye sahip bir akü kullanınız.
Motorda frenleme fonksiyonu yok.	Akü deşarj olmuş.	► Aküyü değiştiriniz ve boş aküyü şarj ediniz.



Arıza	Olası sebepler	Çözüm
Motorda frenleme fonksiyonu yok.	Alet kısa süreli olarak aşırı yüklenmiş.	► Kumanda şalterini bırakınız ve şaltare sonra yeniden basınız.

## 11 İmha

 **Hilti** aletleri yüksek oranda geri dönüşümlü malzemelerden üretilmiştir. Geri dönüşüm için gerekli koşul, usulüne uygun malzeme ayrımıdır. Çoğu ülkede **Hilti**, eski aletlerini yeniden değerlendirmek üzere geri alır. Bu konuda **Hilti** müşteri hizmetlerinden veya satış temsilcinizden bilgi alabilirsiniz.

### Akülerin imha edilmesi

Akülerin usulüne uygun imha edilmemesi halinde, dışarı çıkan gaz ve sıvılar nedeniyle sağlık sorunları oluşabilir.

- Hasar görmüş aküleri hiç bir şekilde göndermeyiniz!
- Kısa devreleri önlemek için, akünün bağlantılarını iletken olmayan bir malzeme ile kapatınız.
- Aküleri, çocukların ellerine geçmeyecek şekilde imha ediniz.
- Aküyü size en yakın **Hilti Store**'da imha ediniz veya imha etmek için yetkili şirketinize başvurunuz.



- Elektrikli el aletlerini, elektronik cihazları ve aküleri evdeki çöplere atmayınız!

## 12 RoHS (Tehlikeli madde kullanımını kısıtlama direktifi)

Aşağıdaki linklerde tehlikeli maddeler tablosunu bulabilirsiniz: [qr.hilti.com/r3958236](http://qr.hilti.com/r3958236).  
RoHS tablosunun linkini bu dokümanın sonunda QR kodu olarak bulabilirsiniz.

## 13 Üretici garantisi

- Garanti koşullarına ilişkin sorularınız için lütfen yerel **Hilti** iş ortağınıza başvurunuz.



## 1 بيانات المستند

## 1.1 حول هذا المستند

- اقرأ هذه المستندات بالكامل قبل التشغيل. يعتبر هذا شرطا للعمل بشكل آمن والاستخدام بدون اختلالات.
- تراعى إرشادات الأمان والإرشادات التحذيرية الواردة في هذا المستند وعلى الجهاز.
- احتفظ بدليل الاستعمال دائما مع المنتج، ولا تعطي الجهاز لآخرين إلا مرفقا بهذا الدليل.

## 2.1 شرح العلامات

## 1.2.1 إرشادات تحذيرية

تنبه الإرشادات التحذيرية إلى الأخطار الناشئة عند التعامل مع الجهاز. يتم استخدام الكلمات الدلالية التالية:

## خطر ⚠

خطر!

◀ تشير لخطر مباشر يؤدي لإصابات جسدية خطيرة أو إلى الوفاة.

## تحذير ⚠

تحذير!

◀ تشير لخطر محتمل قد يؤدي لإصابات جسدية خطيرة أو إلى الوفاة.

## ⚠ احترس:

احترس!

◀ تشير لموقف خطر محتمل يمكن أن يؤدي لإصابات جسدية خفيفة أو أضرار مادية.

## 2.2.1 الرموز في المستند

يتم استخدام الرموز التالية في هذا المستند:

قبل الاستخدام اقرأ دليل الاستعمال	
إرشادات الاستخدام ومعلومات أخرى مفيدة	
التعامل مع مواد قابلة لإعادة التدوير	
لا تتخلص من الأجهزة الكهربائية البطاريات ضمن القمامة المنزلية	

## 3.2.1 الرموز في الصور

تستخدم الرموز التالية في الرسوم التوضيحية:

2	تشير هذه الأعداد إلى الصور المعنية بمطلع هذا الدليل
3	ترقيم الصور يمثل ترتيب خطوات العمل في الصور، وقد يختلف عن ترقيم خطوات العمل في النص
11	يتم استخدام أرقام المواضع في صورة العرض العام وهي تشير إلى أرقام تعليق الصورة في فصل عرض عام للمنتج
!	ينبغي أن تسترعي هذه العلامة اهتماما خاصا عند التعامل مع المنتج.

## 3.1 الرموز المرتبطة بالمنتج

## 1.3.1 الرموز على المنتج

قد تكون الرموز التالية مستخدمة على المنتج:





استخدم نظارة واقية للعينين	
عدد اللفات الاسمي	n
عدد اللفات في الدقيقة	/min
عدد اللفات في الدقيقة	RPM
القطر	$\varnothing$
تيار مستمر	==
بطارية أيونات الليثيوم	Li-Ion
بطاريات أيونات الليثيوم Hilti المستخدمة من النوع. احرص على مراعاة التعليمات الواردة في الفصل الاستخدام المطابق للتعليمات.	
لا تستخدم البطارية أبداً كمطرقة.	
لا تدع البطارية تسقط. لا تستخدم بطارية تعرضت لصدمات أو أي نوع آخر من التلفيات.	
يدعم الجهاز تقنية NFC المتوافقة مع أنظمة التشغيل iOS و Android.	

#### 4.1 معلومات المنتج

منتجات **Hilti** مصممة للمستخدمين المحترفين ويقتصر استعمالها وصيانتها وإصلاحها على الأشخاص المعتمدين والمدربين جيدا. هؤلاء الأشخاص يجب أن يكونوا قد تلقوا تدريباً خاصاً على الأخطار الطارئة. قد يتسبب الجهاز وأدواته المساعدة في حدوث أخطار إذا تم التعامل معها بشكل غير سليم فنياً من قبل أشخاص غير مدربين أو تم استخدامها بشكل غير مطابق للتعليمات.

يوجد مسمى الطراز والرقم المسلسل على لوحة الصنع.

انقل الرقم المسلسل في الجدول التالي. ستحتاج إلى بيانات المنتج في حالة الاستفسارات الموجهة إلى ممثلينا أو مركز الخدمة.

#### بيانات المنتج

المجلة الزاوية	AG 125-A22
الجيل	02
الرقم المسلسل	

#### 5.1 بيان المطابقة

نقر على مسؤوليتنا الفردية بأن المنتج المشروع هنا متوافق مع التشريعات والمواصفات المعمول بها. تجد صورة لبيان المطابقة في نهاية هذا المستند.

المستندات الفنية محفوظة هنا:

Hilti Entwicklungsgesellschaft mbH | Zulassung Geräte | Hiltistraße 6 | 86916 Kaufering, DE

## 2 السلامة

### 1.2 إرشادات السلامة

#### 1.1.2 إرشادات السلامة العامة المتعلقة بالأدوات الكهربائية

**⚠ تحذير! احرص على قراءة جميع إرشادات السلامة والتعليمات.** أي تقصير أو إهمال في تطبيق إرشادات السلامة والتعليمات قد يتسبب في حدوث صدمة كهربائية أو حريق و/أو إصابات خطيرة.

احتفظ بجميع مستندات إرشادات السلامة والتعليمات لاستخدامها عند الحاجة إليها فيما بعد.

#### سلامة مكان العمل

حافظ على نطاق عملك نظيفاً ومضاءً بشكل جيد. الفوضى أو أماكن العمل غير المضاءة يمكن أن تؤدي لوقوع حوادث.



- ◀ لا تعمل بالأداة الكهربائية في محيط معرض لخطر الانفجار يتواجد به سائل أو غازات أو أنواع غبار قابلة للاشتعال. الأدوات الكهربائية تولد شررا يمكن أن يؤدي لإشعال الغبار والأبخرة.
- ◀ احرص على إبعاد الأطفال والأشخاص الآخرين أثناء استخدام الأداة الكهربائية. في حالة انصراف انتباهك قد تفقد السيطرة على الجهاز.

#### السلامة الكهربائية

- ◀ تجنب تلامس الجسم مع الأسطح المؤرضة مثل المواسير وأجهزة التدفئة والمواعد والثلاجات. ينشأ خطر متزايد من حدوث صدمة كهربائية عندما يكون جسمك متصلا بالأرض.
- ◀ ابعاد الأدوات الكهربائية عن الأمطار أو البلل. تسرب الماء إلى داخل الأداة الكهربائية يزيد من خطر حدوث صدمة كهربائية.

#### سلامة الأشخاص

- ◀ كن يقظا وانتبه لما تفعل وتعامل مع الأداة الكهربائية بتعقل عند العمل بها. لا تستخدم الأداة الكهربائية عندما تكون متعبا أو تحت تأثير المخدرات أو الكحوليات أو العقاقير. فقد يتسبب عدم الانتباه للحظة واحدة أثناء استخدام الأداة الكهربائية في حدوث إصابات خطيرة.
- ◀ ارتد تجهيزات وقاية شخصية وارتد دائما نظارة واقية. ارتدأ تجهيزات وقاية شخصية، مثل قناع الوقاية من الغبار وأحذية الأمان المضادة للانزلاق وخوذة الوقاية أو واقى السمع، تبعا لنوع واستخدام الأداة الكهربائية، يقلل من خطر الإصابات.
- ◀ تجنب التشغيل بشكل غير مقصود. تأكد أن الأداة الكهربائية مطفاة قبل توصيلها بالبطارية وقبل رفعها أو حملها. إذا كان إصبعك على المفتاح عند حمل الأداة الكهربائية أو كان الجهاز في وضع التشغيل عند التوصيل بالكهرباء، فقد يؤدي ذلك لوقوع حوادث.
- ◀ أبعد أدوات الضبط أو مفاتيح ربط البراغي قبل تشغيل الأداة الكهربائية. الأداة أو المفتاح المتواجد في جزء دوار من الجهاز يمكن أن يؤدي لحدوث إصابات.
- ◀ تجنب اتخاذ وضع غير طبيعي للجسم. احرص على أن تكون واقفا بأمان وحافظ على توازنك في جميع الأوقات. من خلال ذلك تستطيع السيطرة على الأداة الكهربائية بشكل أفضل في المواقف المفاجئة.
- ◀ ارتد ملابس مناسبة. لا ترتد ملابس فضفاضة أو حلي. احرص على أن يكون الشعر والملابس والقفازات بعيدة عن الأجزاء المتحركة. الملابس الفضفاضة أو الحلي أو الشعر الطويل يمكن أن تشبك في الأجزاء المتحركة.
- ◀ إذا أمكن تركيب تجهيزات شفت وتجميع الغبار، فتأكد أنها موصلة ومستخدمة بشكل سليم. استخدام تجهيزة شفت الغبار يمكن أن يقلل الأخطار الناتجة عن الغبار.

#### استخدام الأداة الكهربائية والتعامل معها

- ◀ لا تفرط في التحميل على الجهاز. استخدم الأداة الكهربائية المناسبة للعمل الذي تقوم به. استخدم الأداة الكهربائية المناسبة يتبع لك العمل بشكل أفضل وأكثر أمانا في نطاق العمل المقرر.
- ◀ لا تستخدم أداة كهربائية ذات مفتاح تالف. الأداة الكهربائية التي لم يعد يمكن تشغيلها أو إطفائها تمثل خطورة ويجب إصلاحها.
- ◀ اخلع البطارية من الجهاز قبل إجراء عمليات ضبط الجهاز، أو استبدال أجزاء الملحقات أو عند ترك الجهاز دون استخدام. هذا الإجراء الوقائي يمنع بدء تشغيل الأداة الكهربائية دون قصد.
- ◀ احتفظ بالأدوات الكهربائية غير المستخدمة بعيدا عن متناول الأطفال. لا تسمح باستخدام الجهاز من قبل أشخاص ليسوا على دراية به أو لم يقرأوا هذه التعليمات. الأدوات الكهربائية خطيرة في حالة استخدامها من قبل أشخاص ليست لديهم الخبرة الواجبة.
- ◀ احرص على العناية التامة بالأدوات الكهربائية. افحص الأجزاء المتحركة من حيث أدائها لوظيفتها بدون مشاكل وعدم انصرارها وافحصها من حيث وجود أجزاء مكسورة أو متعرضة للضرر يمكن أن تؤثر سلبا على وظيفة الأداة الكهربائية. اعمل على إصلاح الأجزاء التالفة قبل استخدام الجهاز. الكثير من الحوادث مصدرها الأدوات الكهربائية التي تم صيانتها بشكل رديء.
- ◀ حافظ على أدوات القطع حادة ونظيفة. تتميز أدوات القطع ذات حواف القطع المادة المعتنى بها بدقة بأنها أقل عرضة للتعثر وأسهل في التعامل.
- ◀ استخدم الأداة الكهربائية والملحقات وأدوات العمل وخلافه طبقا لهذه التعليمات. احرص في هذه الأثناء على مراعاة اشتراطات العمل والمهمة المراد تنفيذها. استخدم الأدوات الكهربائية في تطبيقات غير تلك المقررة لها يمكن أن يؤدي لمواقف خطيرة.

#### استخدام الأداة العاملة بالبطارية والتعامل معها

- ◀ لا تشحن البطارية إلا في أجهزة شحن موصى بها من قبل الجبة الصانعة. بالنسبة لجهاز الشحن المناسب لنوع معين من البطاريات، ينشأ خطر الحريق عند استخدامه مع بطاريات أخرى.



- ◀ لا تضع في الأدوات الكهربائية سوى البطاريات المخصصة لها. استخدام بطاريات أخرى يمكن أن يؤدي لوقوع إصابات وخطر الحريق.
- ◀ أبعد البطارية غير المستخدمة عن مشابك الورق وقطع النقود المعدنية والمفاتيح والمسامير والبراغي أو الأشياء المعدنية الصغيرة الأخرى التي يمكن أن تتسبب في توصيل الملامسين لبعضهما. حدوث قفلة كهربائية بين أطراف توصيل البطارية يمكن أن ينتج عنه حدوث حروق أو نشوب حريق.
- ◀ عند الاستخدام بشكل خاطئ يمكن أن يتسرب سائل من البطارية. تجنب ملامسته. سائل البطارية المتسرب يمكن أن يؤدي لتبج البشرة أو حدوث حروق. اشطفه بالماء في حالة ملامسته عن طريق الخطأ. إذا وصل السائل للعينين، فاطلب معاونة طبية بصفة إضافية.

#### الخدمة

- ◀ اعمل على إصلاح أدواتك الكهربائية على أيدي فنيين معتمدين فقط والاقصرار على استخدام قطع الغيار الأصلية. وبذلك تتأكد أن سلامة الأداة الكهربائية تظل قائمة.

### 2.1.2 إرشادات السلامة العامة المتعلقة بأعمال التجليخ والتجليخ بألواح السنفرة الورقية والعمل بالفرشات السلكية والتلميع والقطع السمجي:

- ◀ تستخدم هذه الأداة الكهربائية كمخلعة ومخلجة قطع. احرص على مراعاة جميع إرشادات السلامة والتعليمات والرسومات والبيانات المرفقة مع الجهاز. وإذا لم تراع التعليمات التالية، فمن الممكن أن تحدث صدمة كهربائية أو ينشب حريق و/أو تتعرض لإصابات بالغة.
- ◀ هذه الأداة الكهربائية غير مناسبة للتجليخ بألواح السنفرة والعمل باستخدام الفرشات السلكية والتلميع. ويراعى أن استخدام الأداة الكهربائية في استخدامات غير مخصصة لها يمكن أن يتسبب في التعرض لأخطار وإصابات.
- ◀ لا تستخدم ملحق لم تقم الجهة الصانعة بإقراره والتوصية باستخدامه خصيصا لهذه الأداة الكهربائية. وليس معنى تمكنك من تثبيت الملحق بأداتك الكهربائية ضمان استخدامه بشكل آمن.
- ◀ يجب ألا يقل عدد اللغات المسموح به لأداة الشغل عن عدد اللغات الأقصى المدون على الأداة الكهربائية. فالملحق الذي يدور بسرعة أكبر من السرعة المسموح بها يمكن أن ينكسر ويتطاير في النطاق المحيط.
- ◀ يجب أن يتطابق القطر الخارجي والسلك لأداة الشغل مع مقاسات الأداة الكهربائية الخاصة بك. حيث إن أدوات الشغل ذات المقاسات الفاطنة لا يمكن تأمينها بشكل كاف أو السيطرة عليها.
- ◀ أدوات الشغل ذات الوليجة اللولبية يجب أن تناسب لولب بريمة التجليخ تماما. في حالة أدوات الشغل التي يتم تركيبها بواسطة فلانشة يجب أن يناسب قطر ثقب أداة الشغل قطر مبيت الفلانشة. أدوات الشغل غير المثبتة بشكل مضبوط في الأداة الكهربائية تدور بشكل غير متوازن وتهتز بقوة وقد تتسبب في فقدان السيطرة.
- ◀ لا تستخدم أدوات شغل تالفة. افحص أدوات الشغل قبل كل استخدام، مثلا أسطوانات التجليخ من حيث وجود تصدعات وتشققات، وحصون التجليخ من حيث وجود تشققات أو بري أو تآكل شديد، والفرشات السلكية من حيث وجود أسلاك سائبة أو مكسورة. إذا تعرضت الأداة الكهربائية أو أداة الشغل للسقوط، فتأكد من عدم حدوث أية أضرار أو استخدام أداة شغل ليست بها أضرار. بعد أن تقوم بفحص أداة الشغل وتركيبها ابتعد أنت والأشخاص الموجودين بالقرب من الجهاز عن نطاق دوران أداة الشغل ودع الجهاز يدور بأقصى عدد لفات لمدة دقيقة واحدة. وغالبا ما تنكسر أدوات الشغل المتضررة خلال مدة الاختبار هذه.
- ◀ ارتد تجهيزات الحماية الشخصية. استعمل تبعاً للأعمال التي يتم القيام بها قناعا واقيا للوجه بالكامل أو واقيا للعينين أو نظارة واقية. وبغدر الإمكان احرص على ارتداء كمامة واقية من الغبار أو واقية للذنين أو قفازا واقيا أو منزرا خاصا يفيك من جزئيات التجليخ وجزئيات الغامات. ينبغي حماية العينين من الأجسام الغريبة المتطايرة التي تنتج في مختلف الاستخدامات. فمن شأن الكمامة الواقية من الغبار أو الكمامة الواقية للتنفس فلترة الغبار الناتج أثناء الاستخدام. إذا تعرضت لضوءا عالية لمدة طويلة يمكن أن تصاب بفقدان للسمع.
- ◀ في حالة وجود أشخاص آخرين احرص على تواجدهم على مسافة آمنة من نطاق عملك. ويجب على كل من يدخل في نطاق عملك أن يرتدي تجهيزات الحماية الشخصية. فقد تتطاير شظايا من قطعة الشغل وأجزاء مكسورة من الأدوات المستخدمة وتتسبب في وقوع إصابات، حتى خارج نطاق عملك المباشر.
- ◀ عند إجراء أعمال يحتمل فيها أن تتلامس الأداة الكهربائية مع أسلاك كهربائية مخفية، فأمسك الأداة الكهربائية من مواضع المسك المعزولة فقط. حيث أن ملامسة سلك يسري فيه التيار الكهربائي يمكن أن ينقل الجهد الكهربائي للأجزاء المعدنية بالجهاز ويؤدي لحدوث صدمة كهربائية.
- ◀ أبعد كابل الكهرباء عن أدوات الشغل الدوارة. في حالة فقدان السيطرة على الجهاز يمكن أن ينقطع أو ينحصر كابل الكهرباء وتصل يدك أو ذراعك إلى أداة الشغل الدوارة.



- ◀ لا تضع الأداة الكهربائية أبداً على سطح ارتكاز قبل أن تتوقف أداة الشغل تماما. فأداة الشغل الدوارة يمكن أن تصل إلى سطح الارتكاز مما قد يتسبب في فقدان السيطرة على الأداة الكهربائية.
- ◀ لا تترك الأداة الكهربائية دائرة أثناء حملك لها. فمن الممكن أن تشبك ملابسك مع أداة الشغل الدوارة من خلال التلامس غير المتوقع ومن ثم تتسبب أداة الشغل في جروح غائرة بجسدك.
- ◀ قم بتنظيف فتحات التهوية بالأداة الكهربائية بصفة منتظمة. تتسبب مروحة الموتور الغبار إلى جسم الجهاز، ويمكن أن يتسبب التراكم الشديد للغبار المعدني في حدوث أخطار كهربائية.
- ◀ لا تستخدم الأداة الكهربائية بالقرب من مواد قابلة للاشتعال. فالشرر يمكن أن يشعل هذه المواد.
- ◀ لا تستخدم أدوات شغل تتطلب استخدام سوائل تبريد معها. استخدام الماء أو أية سوائل تبريد أخرى يمكن أن يعرضك لصعقة كهربائية.

#### الحركة الارتدادية وإرشادات السلامة المعنية

الحركة الارتدادية هي رد فعل مفاجئ بسبب تعثر أو إعاقة أداة الشغل الدوارة، مثل أسطوانة التجليل وضمن التجليل والفرشاة السلكية وخلافه، حيث إن التعثر أو الإعاقة يؤدي إلى التوقف المفاجئ لأداة الشغل الدوارة. وبالتالي فإن الأداة الكهربائية غير المحكومة جيدا تزداد سرعتها في عكس اتجاه دوران أداة الشغل عند موضع الإعاقة.

فعلى سبيل المثال إذا تعثرت أسطوانة تجليل بشيء ما أو تعرض لإعاقة في قطعة الشغل، يمكن أن تنحصر حافة أسطوانة التجليل المتوغللة في قطعة الشغل مما يتسبب في انحراف أسطوانة التجليل أو حدوث حركة ارتدادية. وعندئذ تتحرك أسطوانة التجليل نحو المستخدم أو بعيدا عنه تبعا لاتجاه دوران الأسطوانة في موضع الإعاقة. ويمكن أيضا أن تنكسر أسطوانات التجليل في تلك الأثناء.

تحدث الحركة الارتدادية نتيجة للاستخدام الخاطئ أو غير السليم للأداة الكهربائية. ويمكن تجنب حدوث ذلك من خلال اتباع إجراءات الوقاية المناسبة، كما سيتم شرحه فيما يلي.

- ◀ أمسك الأداة الكهربائية جيدا واحرص على أن يكون جسدك وذراعيك في وضع يمكنك من كبح القوى الارتدادية. استخدم دائما المقبض الإضافي في حالة وجوده، لتحقيق أقصى سيطرة ممكنة على القوى الارتدادية. ورد الفعل من خلال اتباع إجراءات الوقاية المناسبة.
- ◀ لا تضع يدك أبداً بالقرب من أدوات الشغل الدوارة. حيث يمكن أن تتحرك أداة الشغل على يدك في حالة حدوث حركة ارتدادية.
- ◀ أبعد جسدك عن نطاق حركة الأداة الكهربائية في حالة حدوث حركة ارتدادية. حيث إن الحركة الارتدادية تدفع الأداة الكهربائية في اتجاه معاكس لحركة أسطوانة التجليل عند موضع الإعاقة.
- ◀ احرص على توخي الحذر الشديد عند العمل في نطاق الأركان والحواف الحادة وخلافه، وتجنب تعرض أدوات الشغل للارتداد أو الانحصار من خلال قطعة الشغل. تميل أداة الشغل الدوارة إلى الانحصار عند العمل في الأركان أو الحواف الحادة أو عندما ترتد. ويتسبب ذلك في فقدان السيطرة أو حدوث حركة ارتدادية.
- ◀ لا تستخدم شفرة منشار سلسلة أو مسننة. فمثل هذه الأدوات كثيرا ما تتسبب في حدوث حركة ارتدادية أو فقدان السيطرة على الأداة الكهربائية.

#### إرشادات السلامة الخاصة المتعلقة بالتجليل والقطع السحجي:

- ◀ اقتصر على استخدام أدوات التجليل المسموح بها لأداتك الكهربائية والغطاء الواقي المخصص لأداة التجليل هذه. أدوات التجليل غير المقرر استخدامها مع هذه الأداة الكهربائية لا يمكن تأمينها بشكل كاف ومن ثم تصبح غير آمنة.
- ◀ أسطوانات التجليل المائلة يجب تركيبها بحيث لا يبرز سطح التجليل عن مستوى حافة غطاء الحماية. في حالة تركيب أسطوانة التجليل بشكل غير صحيح، بحيث تبرز عن مستوى حافة غطاء الحماية فلا يمكن توفير الحماية بشكل كاف.
- ◀ يجب تركيب الغطاء الواقي على الأداة الكهربائية بإحكام كما يجب ضبطه ليوفر أقصى درجات السلامة، بحيث لا ينكشف للمستخدم إلا أصغر جزء ممكن من جسم التجليل. يُسهم الغطاء الواقي في حماية المستخدم من الشظايا المتطايرة أو ملامسة جسم التجليل بشكل غير مقصود وكذلك حمايته من الشرر الذي يمكن أن يحرق ملابسه.
- ◀ يجوز استخدام أدوات التجليل فقط لأغراض الاستخدام الموصى بها. مثل: لا تقم أبداً بالتجليل باستخدام السطح الجانبي لأسطوانة قطع. فأسطوانات القطع مخصصة لقطع المواد باستخدام حافة الأسطوانة. ويمكن أن يؤدي تأثير القوى الجانبية الواقع على أداة التجليل هذه إلى انكسارها.
- ◀ استخدم دائما فلانشة شد غير تالفة بالمقاس والشكل المناسب لأسطوانة التجليل التي اخترتها. إذ أن الفلانشات المناسبة تدعم أسطوانة التجليل وتقلل بذلك من خطر تعرض أسطوانة التجليل للكسر. يمكن أن تختلف الفلانشات المخصصة لأسطوانات القطع عن الفلانشات المخصصة لأسطوانات التجليل الأخرى.



- لا تستخدم أسطوانات التجليخ المستهلكة الخاصة بأدوات كهربائية كبيرة نسبياً. فأسطوانات التجليخ الخاصة بالأدوات الكهربائية الكبيرة نسبياً غير مصممة للعمل بعدد اللفات الأعلى للأدوات الكهربائية الصغيرة نسبياً ويمكن أن تنكسر.
- المزيد من إرشادات السلامة الخاصة المتعلقة بالقطع السحجي:
- تجنب حدوث إعاقة لأسطوانة القطع أو الضغط على الجهاز بقوة زائدة للغاية. لا تقم بعمل قطوع غائرة بشكل زائد. حيث إن التحميل الزائد على أسطوانة القطع يزيد من درجة الإجهاد الواقع عليها ومن قابليتها للانحراف أو الإعاقة وبالتالي إمكانية حدوث حركة ارتدادية أو انكسار أداة التجليخ.
- تجنب النطاق الموجود أمام وخلف أسطوانة القطع الدوارة. إذا أهدت أسطوانة القطع المتوغلة في قطعة الشغل، فمن الممكن في حالة حدوث حركة ارتدادية أن تنزلق الأداة الكهربائية مع الأسطوانة الدوارة نحوك مباشرة.
- إذا تعرضت أسطوانة القطع للانحصار أو توقفت عن العمل، فأوقف الجهاز واحتفظ به في وضع متزن، إلى أن تتوقف الأسطوانة تماماً. ولا تحاول أبداً سحب أسطوانة القطع المستمرة في الدوران من موضع القطع، وإلا فقد تحدث حركة ارتدادية. حدد سبب الانحصار وتغلب عليه.
- لا تقم بإعادة تشغيل الأداة الكهربائية طالما أنها موجودة في قطعة الشغل. احرص على أن تصل أسطوانة القطع إلى أقصى عدد لفات لها أولاً قبل أن تواصل القطع بحرص، وإلا فمن الممكن أن تتعثر الأسطوانة بعائق ما وتندفع من قطعة الشغل أو تتسبب في حدوث حركة ارتدادية.
- قم بتدعيم الألواح أو قطع الشغل الكبيرة للحد من خطر حدوث حركة ارتدادية من جراء انحصار أسطوانة القطع. قطع الشغل الكبيرة يمكن أن تتعرض للانحناء بفعل وزنها الذاتي. يجب تدعيم قطعة الشغل على كلا جانبي الأسطوانة وكذلك بالقرب من موضع القطع والحافة.
- احرص على توخي الحذر الشديد عند عمل «قطع غاطسة» في الجدران القائمة أو النطاقات الأخرى الكامنة. حيث يمكن أن تتسبب أسطوانة القطع المتوغلة في حدوث حركة ارتدادية عند القطع في مواسير الغاز أو المياه أو الوصلات الكهربائية أو الأجسام الأخرى.

### 3.1.2 إرشادات إضافية للسلامة

#### سلامة الأشخاص

- اقتصر على استخدام المنتج وهو في حالة سليمة من الناحية الفنية.
- لا تقم أبداً بأية تدخلات أو تغييرات على الجهاز.
- تجنب ملامسة الأجزاء الدوارة - خطر الإصابة!
- ارتد قمازاً واقياً أثناء تغيير الأدوات. ملامسة أداة الشغل قد تؤدي لوقوع إصابات بجروح قطعية وإصابة بعمق.
- احرص قبل بدء العمل على معرفة فئة خطر الغبار الناشئ عند إجراء العمل. استخدم شفاط غبار أعمال الإنشاءات ذي فئة حماية مصرح بها رسمياً ومطابق للتعليمات المحلية الخاصة بالحماية من الغبار. الغبار الناتج عن خامات مثل الطلاء المحتوي على الرصاص وبعض أنواع الأخشاب والفرسانة/الجران والصخور المحتوية على الكوارتز والمعادن الصخرية والمعادن هو غبار ضار بالصحة.
- احرص على وجود توية جيدة لمكان العمل وارتد عند اللزوم قناع تنفس مخصص لنوعية الغبار المنبعث. ملامسته أو استنشاقه قد يسبب أعراض حساسية و/أو أمراض الجهاز التنفسي للمستخدم أو للأشخاص المتواجدين على مقربة منه. هناك أنواع معينة مسرطنة من الغبار مثل غبار خشب البلوط أو غبار خشب الزان، ولا سيما إذا ارتبطت هذه الأنواع بمواد إضافية لمعالجة الأخشاب (مثل الكروم ومواد حماية الأخشاب). لا يجوز التعامل مع المواد المحتوية على الأسبستوس إلا من قبل فنيين متخصصين.
- خذ قسطاً من الراحة أثناء العمل وطمع بتمازير استرخاء لسريان الدم في الأصابع بشكل أفضل. عند القيام بأعمال لفترات طويلة فقد يحدث اضطرابات في الأوعية الدموية أو الجهاز العصبي بسبب كثرة الاهتزازات على الأصابع، الأيدي أو معصم اليد.

#### السلامة الكهربائية

- قبل بدء الأعمال افحص نطاق العمل من حيث وجود توصيلات كهرباء مغطاة أو مواسير للغاز والماء. الأجزاء المعدنية الخارجية بالجهاز يمكن أن تتسبب في صدمة كهربائية، إذا قمت دون قصد بإتلاف إحدى توصيلات التيار.

#### الاستخدام والتعامل بعناية مع الأدوات الكهربائية

- لا تستخدم أبداً أسطوانات القطع السحجية للقيام بالتجليخ الخشن.
- أحكم ربط أداة الشغل والفلاشة. إذا لم يتم إحكام ربط أداة الشغل والفلاشة فمن المحتمل أن تنحل أداة الشغل من البريمة عند الكبح من خلال موتور الجهاز بعد الإيقاف.
- احرص على مراعاة تعليمات الجهة الصانعة بخصوص طريقة التعامل مع أسطوانات التجليخ وحفظها.



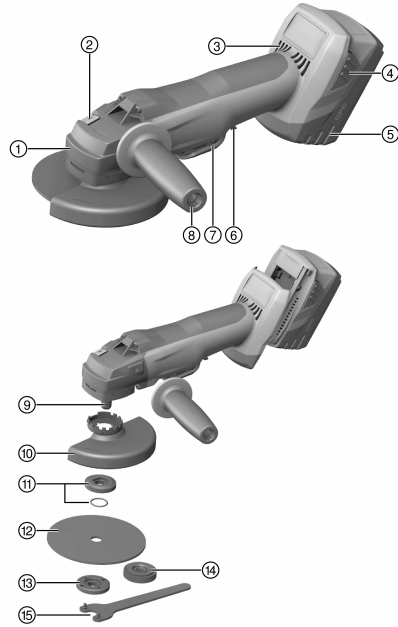
#### 4.1.2 التعامل بعناية مع الأجهزة العاملة بالبطاريات واستخدامها

- ◀ تراعى التعليمات الخاصة لنقل وتخزين وتشغيل بطاريات أيونات الليثيوم.
- ◀ أبعد البطاريات عن النار ودرجات الحرارة المرتفعة وأشعة الشمس المباشرة.
- ◀ لا يجوز تفكيك البطاريات أو سحقها أو وضعها في درجة حرارة أعلى من 80°م أو حرقها.
- ◀ لا تستخدم أو تشحن البطاريات التي تعرضت لصدمة، أو سقطت من ارتفاع يزيد على متر أو تعرضت لأية أضرار أخرى. في هذه الحالة، تواصل دائما مع خدمة Hilti.
- ◀ في حالة السخونة الشديدة للبطارية بحيث يتعذر الإمساك بها، فقد تكون تالفة. ضع المنتج في مكان غير قابل للاشتعال وعلى مسافة كافية من الخامات القابلة للاشتعال، وحيث يمكن مراقبته، واتركه حتى يبرد. في هذه الحالة، تواصل دائما مع خدمة Hilti.

### 3 الشرح

#### 1.3 نظرة عامة على المنتج

- ① زر تحرير الغطاء
- ② زر تثبيت البريمة
- ③ فتحات التهوئة
- ④ زر تحرير ذو وظيفة إضافية لتفعيل بيان حالة الشحن
- ⑤ البطارية
- ⑥ مانع التشغيل
- ⑦ مفتاح التشغيل/الإيقاف
- ⑧ مقبض جانبي لمخمّد الاهتزاز
- ⑨ بريمة
- ⑩ غطاء الحماية القياسي
- ⑪ فلانشة شد مع حلقة إحكام
- ⑫ أسطوانة القطع والتجليخ / أسطوانة التجليخ
- ⑬ الخشن
- ⑭ صامولة شد
- ⑮ صامولة الربط السريع **Kwik lock** (تجهيز اختياري)
- ⑮ مفتاح شد



#### 2.3 الاستخدام المطابق للتعليمات

- المنتج الموضع عبارة عن مجلحة زاوية تعمل بالبطارية وتستخدم باليد. وهو مخصص للقطع السحجي والتجليخ الخشن في الخامات المعدنية والحجرية بالإضافة إلى ثقب البلاط دون استخدام الماء. لا يُسمح باستخدامه إلا في أعمال القطع/التجليخ على الجاف.
- لا يسمح بالقطع السحجي والتشقيب والتجليخ الخشن للخامات الحجرية إلا مع استخدام غطاء الحماية المناسب (يمكن الحصول عليه بشكل اختياري).
  - عند التعامل مع مواضع الشغل الحجرية كالخرسانة أو الأحجار ينبغي استخدام غطاء شطف غبار متوائم مع شفاط غبار مناسب من Hilti.
  - ◀ اقتصر على استخدام بطاريات أيونات الليثيوم Hilti من النوع B 22 مع هذا المنتج.
  - ◀ اقتصر على استخدام أجهزة شحن Hilti من الفئة C4/36 لهذه البطاريات.



### 3.3 مجموعة التجيزات الموردة

المجلفة الزاوية، المقبض الجانبي، غطاء الحماية القياسي، الحاجب الأمامي، فلانشة شد، صامولة شد، مفتاح الشد، دليل الاستعمال.  
تجد المزيد من منتجات النظام المسموح بها للمنتج الخاص بك لدى متجر **Hilti Store** أو على موقع الإنترنت: [www.hilti.group](http://www.hilti.group)

### 4.3 خاصية حماية الجهاز المرتبطة بدرجة الحرارة

تراقب خاصية حماية الموتور المرتبطة بدرجة الحرارة دخل التيار الكهربائي وكذلك سخونة الموتور وبذلك تسمى الجهاز من السخونة المفرطة.  
تؤدي زيادة الحمل على الموتور بفعل الضغط الشديد لضعف قدرة الجهاز بشكل ملحوظ وقد يصل الأمر لتوقف الجهاز تماما.  
في حالة توقف الجهاز أو انخفاض عدد اللفات نظرا للحميل الزائد، فيجب عليك تليص الجهاز من التحميل الزائد وتشغيله لمدة 30 ثانية تقريبا على الفارغ.

### 5.3 الغطاء الواقي مع حاجب أمامي

لغرض التجليل الخشن باستخدام أسطوانات التجليل الخشن المستقيمة والقطع السحجي باستخدام أسطوانات القطع السحجي عند التعامل مع الخامات المعدنية يجب استخدام غطاء الحماية القياسي مع الحاجب الأمامي.

### 6.3 واقية الغبار (القطع) DC-EX 125/5" C (مدمج (ملحق تكميلي)

للقطع السحجي في مواضع الشغل الحجرية باستخدام أسطوانات القطع السحجي الماسية يجب استخدام الغطاء المدمج DC-EX 125/5" C.  
احترس يُحظر التعامل مع المعادن في ظل استخدام هذا الغطاء.

### 7.3 واقية الغبار (التجليل) DG-EX 125/5" (ملحق تكميلي)

نظام التجليل ملائم بشكل محدود فقط لتجليل الأسطح الحجرية من حين لآخر باستخدام أقداح التجليل الماسية.  
احترس يُحظر التعامل مع المعادن في ظل استخدام هذا الغطاء.

### 8.3 بيان حالة الشحن بطارية أيونات الليثيوم

يتم عرض حالة شحن بطارية أيونات الليثيوم بعد النقر على أحد زرّي تحرير البطارية.

الحالة	الاستعمال
تضيء أربع لمبات LED.	حالة الشحن: 75 % إلى 100 %
تضيء ثلاث لمبات LED.	حالة الشحن: 50 % إلى 75 %
تضيء اثنتان من لمبات LED.	حالة الشحن: 25 % إلى 50 %
لمبة LED واحدة تضيء.	حالة الشحن: 10 % إلى 25 %
لمبة LED واحدة تومض.	حالة الشحن: > 10 %

أثناء العمل وبعده مباشرة لا يمكن الاستعمال عن حالة الشحن. في حالة وميض لمبات LED الخاصة ببيان حالة شحن البطارية يرجى مراعاة الإرشادات الواردة في المساعدة في حالات الاختلالات.

## 4 خامات الشغل

يتعين الاقتصاد على استخدام الأسطوانات المقواة بالألياف والمرتبطة بالراتنج الصناعي بقطر 125 مم على الأكثر ومسموح بها لعدد لفات لا يقل عن 11000 لفة/دقيقة وسرعة محيطية 80 م/ث.  
يمكن أن يصل سمك الأسطوانة في حالة أسطوانات التجليل الخشن إلى 6,4 مم كحد أقصى وفي حالة أسطوانات القطع السحجي بحد أقصى 3 مم.

تنبيه! احرص دائما على استخدام غطاء الحماية القياسي المزود بحاجب أمامي أو غطاء واقى مغلق تماما عند القطع والتشقيب باستخدام أسطوانات القطع السحجي.



موضع الشغل	العلامات المختصرة	الاستخدام	
معدني	AC-D	القطع السحجي، التشقيب	أسطوانة القطع السحجي الكاشطة
حجري	DC-D, DC-TP (P, SP, SPX)	القطع السحجي، التشقيب	أسطوانة القطع السحجي الماسية
معدني	AG-D, AF-D, AN-D	التجليخ الخشن	أسطوانة التجليخ الخشن الكاشطة
حجري	DG-CW (P, SP, SPX)	التجليخ الخشن	أسطوانة التجليخ الخشن الماسية
حجري	DD-M14	ثقب البلاط	طربوش الثقب الماسي

**توزيع الأسطوانات على المعدة المراد استخدامها**

DD-M14	DC-D	DG-CW	AN-D	AF-D	AG-D	AC-D	المعدة	المو ضع
X	X	X	X	X	X	X	غطاء واقى	A
—	X	—	—	—	—	X	حاجب أمامي (بالارتباط مع A)	B
—	—	X	—	—	—	—	واقية الغبار (التجليخ) -DG- EX 125/5 بوصة	C
—	X	—	—	—	—	—	واقية الغبار (القطع) -DC- EX 125/5" C (بالارتباط مع A)	D
X	X	X	X	X	X	X	مقبض جانبي	E
X	X	X	X	X	X	X	المقبض المقوس DCBG 125 (تجهيز اختياري للطرز E)	F
—	X	X	X	X	X	X	صامولة شد	G
—	X	X	X	X	X	X	فلانشة شد	H
—	X	—	X	X	X	X	<b>Kwik lock</b> (تجهيز اختياري للطرز G)	I

**5 المواصفات الفنية**

AG 125-A22	
21.6 فلت	الجهد الكهربائي الاسمي
9,500 لفة/دقيقة	عدد اللفات الاسمي
125 مم	أقصى قطر للأسطوانة
3.3 كجم	الوزن حسب EPTA Procedure 01 شاملا البطارية B228.0
M14	بريمة الإدارة الملولبة
22 مم	طول البريمة

**1.5 معلومات الضجيج وقيم الاهتزاز طبقا للمواصفة EN 60745**

تم قياس قيم ضغط الصوت والاهتزاز الواردة في هذا الدليل طبقا لعملية قياس معايرة ويمكن الاستعانة بها في مقارنة الأدوات الكهربائية مع بعضها البعض. وهي تصلح أيضا لتقدير المخاطر بصورة مؤقتة. المواصفات الواردة تتعلق بالاستخدامات الأساسية للأداة الكهربائية. أما إذا تم استخدام الأداة الكهربائية في تطبيقات أخرى مع أدوات شغل مخالفة للمواصفات أو دون صيانة كافية، ففي هذه الحالة قد تختلف البيانات. وقد يزيد هذا من المخاطر خلال مدة العمل بالكامل بصورة واضحة. ولتقدير المخاطر تقديرا دقيقا ينبغي أيضا مراعاة الأوقات التي يتم فيها إيقاف الجهاز أو التي يكون فيها الجهاز مشغلا ولكن دون استخدام حقيقي. وقد يقلل هذا من المخاطر خلال مدة العمل بالكامل بصورة واضحة. احرص على مراعاة تدابير السلامة الإضافية





لحماية المستخدم من تأثير الصوت و/أو الاهتزازات مثل: صيانة الأداة الكهربائية وأدوات العمل والحفاظ على الأيدي في حالة دافئة وتنظيم مراحل العمل.

#### معلومات الضجيج

83 ديسيبل (A)	مستوى ضغط الصوت المنبعث ( $L_{pA}$ )
3 ديسيبل (A)	نسبة التفاوت لمستوى ضغط الصوت ( $K_{pA}$ )
94 ديسيبل (A)	مستوى شدة الصوت ( $L_{WA}$ )
3 ديسيبل (A)	نسبة التفاوت لمستوى شدة الصوت ( $K_{WA}$ )

#### معلومات الاهتزاز

تطبيقات أخرى، مثل القطع قد تؤدي إلى قيم اهتزاز مغايرة.

3.8 م/ثانية <sup>2</sup>	تجليخ الأسطح مع استخدام مقبض مخفض للاهتزاز ( $a_{rms}$ )
1.5 م/ثانية <sup>2</sup>	نسبة التفاوت (K)

#### 2.5 البطارية

21.6 فلت	جهد تشغيل البطارية
17- ... 60 °م	درجة الحرارة المحيطة أثناء التشغيل
20- ... 40 °م	درجة حرارة التخزين
10- ... 45 °م	درجة حرارة البطارية عند بدء الشحن

#### 6 التشغيل

##### 1.6 تركيب البطارية

###### احترس:

**خطر الإصابة.** من خلال عمل المجلعة الزاوية بشكل غير مقصود.  
 • تأكد قبل تركيب البطاريات أن المجلعة الزاوية متوقفة ومانع التشغيل مشغل.

###### احترس:

**خطر كهربائي.** قد يتسبب اتساع أطراف التوصيل في حدوث قفلة كهربائية.  
 • تأكد أن أطراف توصيل البطارية وأطراف التوصيل في المجلعة الزاوية خالية من أية أجسام غريبة، قبل تركيب البطارية في الجهاز.

###### احترس:

**خطر الإصابة.** إذا لم تكن البطارية مثبتة بشكل سليم فمن المحتمل أن تسقط من موضعها.  
 • وتأكد من إحكام تثبيت البطارية في الجهاز، حتى لا تسقط وتعرض الآخرين للخطر.  
 • قم بتركيب البطارية وتأكد من إحكام تثبيتها في الجهاز.

##### 2.6 خلع البطارية

• أخرج البطارية.

##### 3.6 تركيب المقبض الجانبي

• قم بربط المقبض الجانبي بإحدى الجلب الملونة المخصصة لذلك.

##### 4.6 تركيب أو فك الغطاء الواقي

###### احترس:

**خطر الإصابة.** تكون أداة الشغل ساخنة وحادة المواف.  
 • احرص عند القيام بالتركيب والفك وأعمال الضبط وإصلاح الاختلالات على ارتداء قفازا واقيا.  
 • يُراعى دليل تركيب الغطاء الواقي المعني.



**i** يشتمل الغطاء الواقي على طرف مشفر يضمن تركيب الغطاء الواقي الملائم للجهاز. حيث ينساب الغطاء الواقي بطرفه المشفر في موضع تركيب الغطاء بالجهاز.

1. قم بتركيب الغطاء الواقي على رقبة البريمة بحيث تتقابل علامتي المثلث في كل من الغطاء الواقي والجهاز.
2. اضغط الغطاء الواقي على عنق البريمة.
3. اضغط على زر تحرير الغطاء.
4. أدر الغطاء الواقي إلى أن يستقر في موضعه ويعود زر تحرير الغطاء إلى وضعه.

#### 2.4.6 تعديل وضع الغطاء الواقي

← اضغط زر تحرير الغطاء وأدر الغطاء الواقي إلى الوضع المرغوب إلى أن يستقر في موضعه.

#### 3.4.6 فك الغطاء الواقي

1. اضغط زر تحرير الغطاء وأدر الغطاء إلى أن تتقابل علامتي المثلث في كل من الغطاء الواقي والجهاز.
2. اخلع الغطاء الواقي.

#### 5.6 تركيب أو فك الحاجب الأمامي 9

**i** عند العمل باستخدام الحاجب الأمامي، يتم وضعه على الغطاء الواقي.

1. قم بتركيب الحاجب الأمامي بينما الجانب المغلق على غطاء الحماية القياسي إلى أن يثبت القفل.
2. للفت افتح قفل الحاجب الأمامي واخلعه من غطاء الحماية القياسي.

#### 6.6 ضبط موضع واقية الغبار (القطع) DC-EX 125/5°C 9

← اضبط وضع الغطاء المدمج بحيث يكون مفتاح التشغيل/الإيقاف دائماً سهل الوصول إليه وبسهل استعماله.

#### 7.6 تركيب أو تفكيك أدوات الشغل

**⚠ احترس:**

**خطر الإصابة.** أداة الشغل قد تكون ساخنة.  
← ارتد قفازات واقية عند تغيير أداة الشغل.

**i** يجب تغيير الأسطوانات المناسبة بمجرد تراجع قدرة القطع أو التجليخ بشكل واضح. وبشكل عام يكون الوضع كذلك، عندما يكون ارتفاع قطاعات الألماس أقل من 2 مم.  
يجب تغيير أنواع الأسطوانات الأخرى بمجرد تراجع قدرة القطع بشكل واضح أو ملامسة أجزاء المجلحة الزاوية (ما عدا الأسطوانة) أثناء العمل مع خامة الشغل.  
يجب تغيير أسطوانات السمع بمجرد حلول تاريخ انتهاء الصلاحية.

#### 1.7.6 تركيب أداة الشغل 10

1. أخرج البطارية. ← صفحة 171
2. تأكد من وجود حلقة إحكام في فلانشة الشد وأنها في حالة سليمة.

##### النتيجة

1. حلقة إحكام بها أضرار
- لا توجد حلقة إحكام في فلانشة الشد.
- ← قم بتركيب فلانشة شد جديدة بها حلقة تثبيت.
3. أحكم ربط فلانشة الشد على البريمة.
4. قم بتركيب أداة الشغل.



- خطر الإصابة.** في حالة كبح موتور الجهاز قد تنفك أداة الشغل.
- انتظر إلى أن تتوقف أداة الشغل تماما، قبل أن تمسك بأداة الشغل أو صامولة التثبيت.
  - أحكم ربط أداة الشغل وفلانشة الشد باستخدام صامولة التثبيت بحيث لا تنفك أجزاء من البريمة عند كبح موتور الجهاز.

5. أحكم ربط صامولة الشد وفقا لأداة الشغل المركبة.
6. اضغط على زر تثبيت البريمة واحتفظ به مضغوطة.
7. أحكم ربط صامولة الشد باستخدام مفتاح الشد ثم اترك زر تثبيت البريمة واخلع مفتاح الشد.

### 2.7.6 تفكيك أداة الشغل

1. أخرج البطارية. ← صفحة 171

#### احترس:

- خطر الانكسار والتحطم.** في حالة الضغط على زر تثبيت البريمة أثناء دوران البريمة فقد تنفك أداة الشغل.
- لا تضغط زر تثبيت البريمة إلا عندما تكون البريمة ثابتة.
  - 2. اضغط على زر تثبيت البريمة واحتفظ به مضغوطة.
  - 3. قم بحل صامولة الشد من خلال تركيب مفتاح الشد عليها وإدارته عكس اتجاه عقارب الساعة.
  - 4. اترك زر تثبيت البريمة و قم بإخراج أداة الشغل.

### 3.7.6 تركيب أداة الشغل باستخدام صامولة التثبيت السريع Kwik lock

#### احترس:

- خطر الانكسار.** قد تتعرض صامولة التثبيت السريع Kwik lock للانكسار نتيجة لدرجة التآكل العالية.
- احرص على عدم ملامسة صامولة الربط السريع Kwik lock لموضع الشغل أثناء العمل.
  - لا تستخدم صواميل التثبيت السريع Kwik lock التالفة.

يمكن استخدام صامولة التثبيت السريع Kwik lock بشكل اختياري بدلا من صامولة الشد. وبذلك يمكن تغيير أدوات الشغل بدون عدة إضافية.

1. أخرج البطارية. ← صفحة 171
2. قم بتنظيف فلانشة الشد وصامولة التثبيت السريع.
3. ركب فلانشة الشد على البريمة.
4. قم بتركيب أداة الشغل.
5. اربط صامولة التثبيت السريع Kwik lock حتى تستقر على أداة الشغل.
- كلمة Kwik lock تكون ظاهرة عندما تكون الصامولة مربوطة.
6. اضغط على زر تثبيت البريمة واحتفظ به مضغوطة.
7. استمر في إدارة أداة الشغل يدويا بقوة في اتجاه حركة عقارب الساعة، إلى أن يتم إحكام ربط صامولة التثبيت السريع Kwik lock ثم اترك زر تثبيت البريمة.

### 4.7.6 فك أداة الشغل مع صامولة التثبيت السريع Kwik lock

1. أخرج البطارية. ← صفحة 171

#### احترس:

- خطر الانكسار والتحطم.** في حالة الضغط على زر تثبيت البريمة أثناء دوران البريمة فقد تنفك أداة الشغل.
- لا تضغط زر تثبيت البريمة إلا عندما تكون البريمة ثابتة.
  - 2. اضغط على زر تثبيت البريمة واحتفظ به مضغوطة.
  - 3. قم بحل صامولة التثبيت السريع Kwik lock من خلال إدارة صامولة التثبيت السريع يدويا عكس اتجاه عقارب الساعة.
  - 4. إذا تعذر حل صامولة التثبيت السريع Kwik lock يدويا قم بتركيب مفتاح شد على صامولة التثبيت السريع وأدره عكس اتجاه عقارب الساعة.

ولا تستخدم زردية أبدا لكي لا تتعرض صامولة التثبيت السريع Kwik lock للضرر.



5. اترك زر تثبيت البريمة وقم بإخراج أداة الشغل.

### 5.7.6 تركيب طربوش الثقب 12

1. أخرج البطارية. ← صفحة 171
2. قم بتركيب المقبض الجانبي. ← صفحة 171
3. قم بتركيب الغطاء الواقي. ← صفحة 172
4. قم بتركيب طربوش الثقب وأحكم ربطه يدوياً.
5. اضغط على زر تثبيت البريمة واحتفظ به مضغوطاً.
6. أحكم ربط طربوش الثقب بعد ذلك بمفتاح هلالى آخر مناسب.
7. قم بعد ذلك بتحرير زر تثبيت البريمة ثم اخلع المفتاح الهلالى.

## 7 الاستعمال

### 1.7 التجليخ

#### ⚠️ احترس:

**خطر الإصابة.** قد تتعرض أداة الشغل للإعاقة أو التعثر فجأة.  
 ◀ استخدم الجهاز بواسطة المقبض الجانبي (تجهيز اختياري مع المقبض المقوس) وأمسك الجهاز بكلتا اليدين.

### 2.7 القطع السحجي

◀ عند القطع السحجي اعمل بدفع معتدل وتجنب وضع الجهاز أو أسطوانة القطع السحجي بشكل منحرف (وضع العمل يكون حوالي 90° بالنسبة لمستوى القطع).

◀ من الأفضل قطع القطاعات والمواسير المستطيلة بحيث يتم ضبط أسطوانة القطع السحجي على أدنى مقطع عرضي.

### 3.7 التجليخ الخشن

#### ⚠️ احترس:

**خطر الإصابة.** قد يتحطم قرص القطع السحجي وتتسبب الأجزاء المندفعة في حدوث إصابات.  
 ◀ لا تستخدم أبداً أسطوانات القطع السحجي للقيام بالتجليخ الخشن.

- ◀ حرك الجهاز مع زاوية تثبيت تتراوح بين 5° إلى 30° وضغط متوازن جيئةً وذهاباً.
- ◀ لا تصبغ قطعة الشغل ساخنة ولا يتغير لونها ولا يظهر بها حزوز.

### 4.7 التشغيل في حالة مفتاح التشغيل/الإيقاف مع مانع التشغيل 13

◀ مع مفتاح التشغيل/الإيقاف المزود بمانع التشغيل يمكنك السيطرة على عمل المفتاح ومنع انطلاق الجهاز بدون قصد.

1. اضغط مانع التشغيل إلى الأمام.  
 ◀ يتم تحرير مفتاح التشغيل/الإيقاف.
2. اضغط على مفتاح التشغيل/الإيقاف حتى النهاية تماماً.  
 ◀ يعمل موتور الجهاز بعدد لفات وضع الدوران على الفارغ.

### 5.7 الإيقاف في حالة مفتاح التشغيل/الإيقاف مع مانع التشغيل

- ◀ اترك مفتاح التشغيل/الإيقاف.
- ◀ يعود مانع التشغيل أو توماتيكا لوضع منع التشغيل.



**تحذير**
**خطر الإصابة عند تكون البطارية مركبة !**

احرص على خلع البطارية دائما قبل جميع أعمال الإصلاح والعناية!

**العناية بالجهاز**

- قم بإزالة الاتساخ الملتصق بمرص.
- قم بتنظيف فتحات التهوية بمرص باستخدام فرشاة جافة.
- نظف جسم الجهاز باستخدام قطعة قماش مبللة بعض الشيء. لا تستخدم مواد عناية تحتوي على السيليكون لما قد تتسبب فيه من الإضرار بالأجزاء البلاستيكية.

**العناية ببطاريات أيونات الليثيوم**

- حافظ على البطارية نظيفة وخالية من الزيت والشحم.
- نظف جسم الجهاز باستخدام قطعة قماش مبللة بعض الشيء. لا تستخدم مواد عناية تحتوي على السيليكون لما قد تتسبب فيه من الإضرار بالأجزاء البلاستيكية.
- تجنب تسرب الرطوبة إليها.

**الصيانة**

- افحص جميع الأجزاء المرئية من حيث وجود أضرار وافحص عناصر الاستعمال من حيث كفاءتها الوظيفية.
- في حالة وجود أضرار و/أو اختلالات وظيفية لا تقم بتشغيل المنتج. احرص على الفور على إصلاحه لدى مركز خدمة Hilti.
- بعد أعمال العناية والإصلاح قم بتركيب جميع تجهيزات الحماية وافحصها من حيث الأداء الوظيفي.



للتشغيل الآمن اقتصر على استخدام قطع الغيار الأصلية وخامات الشغل والملحقات المصرح بها من قبلنا للمنتج الخاص بك في متجر **Hilti Store** أو على موقع الإنترنت: [www.hilti.group](http://www.hilti.group)

**9 نقل وتخزين الأجزاء العاملة بالبطاريات**
**النقل**
**احترس:**
**التشغيل غير مقصود عند النقل !**

قم بنقل المنتج دائما بدون البطاريات!

- اخلع البطاريات.
- تجنب نقل البطاريات في كميات سائبة.
- بعد النقل لمسافة طويلة أو التخزين افحص الجهاز والبطاريات قبل الاستخدام من حيث وجود أضرار.

**التخزين**
**احترس:**
**أضرار غير مقصودة بسبب البطاريات التالفة أو التي بها تسريب. !**

- قم بتخزين المنتج دائما بدون البطاريات!
- يجب تخزين الجهاز والبطاريات في مكان جاف وبارد قدر الإمكان.
- تجنب تخزين البطاريات تحت أشعة الشمس أو على أجهزة التدفئة أو خلف النوافذ الزجاجية.
- احرص على تخزين الجهاز والبطاريات في مكان يصعب على الأطفال وغير المؤهلين لاستخدامه الوصول إليه.
- بعد النقل لمسافة طويلة أو التخزين افحص الجهاز والبطاريات قبل الاستخدام من حيث وجود أضرار.

**10 المساعدة في حالات الاختلالات**

عند حدوث اختلالات غير مذكورة في الجدول أو يتعذر عليك معالجتها بنفسك، فيرجى التوجه إلى مركز خدمة Hilti.



الخلل	السبب المحتمل	الحل
شحنة البطارية تفرغ بشكل أسرع من المعتاد.	درجة حرارة محيطية شديدة الانخفاض.	أترك البطارية تسخن ببطء حتى درجة حرارة الغرفة.
البطارية لا تثبت بصوت طقطقة مسموع.	أطراف تثبيت البطارية متسخة.	قم بتنظيف أطراف التثبيت ثم قم بتركيب البطارية مجدداً.
لمبة LED واحدة تومض. الجهاز لا يعمل.	البطارية فارغة الشحنة.	قم بتغيير البطارية واشحن البطارية الفارغة.
جميع لمبات LED الأربع تومض. الجهاز لا يعمل.	البطارية شديدة البرودة أو السخونة.	أترك البطارية تسخن أو تبرد ببطء حتى درجة حرارة الغرفة.
تنشأ سخونة شديدة بالمجلمخة الزاوية أو البطارية.	الجهاز محمّل بشكل زائد.	أترك مفتاح التحكم واضغط عليه مجدداً. ثم دع الجهاز يدور على الفارغ لمدة 30 ثانية تقريباً.
الجهاز لا يعمل بكامل قدرته.	عطل كهربائي	قم بإيقاف الجهاز على الفور، اخلع البطاريات وافحصها جيداً، ثم أتركها تبرد واتصل بمركز خدمة Hilti.
لا توجد وظيفة كبح بالموتور	قدرة البطارية المستخدمة ضعيفة للغاية.	استخدم بطارية بقدرة كافية.
	البطارية فارغة الشحنة.	قم بتغيير البطارية واشحن البطارية الفارغة.
	هناك تحميل زائد على الجهاز لفترة قصيرة.	أترك مفتاح التحكم واضغط عليه مجدداً.

**11 التكوين**

أجهزة Hilti مصنوعة بنسبة كبيرة من مواد قابلة لإعادة التدوير. يشترط لإعادة التدوير أن يتم فصل الغامات بشكل سليم فينا. في العديد من الدول تقوم شركة Hilti باستغلال الأجهزة القديمة لإعادة تدويرها. وللمعلومات حول ذلك اتصل بخدمة عملاء Hilti أو الموزع القريب منك.

**التخلص من البطاريات**

قد يُشكل التخلص من البطاريات بطريقة غير مطابقة للتعليمات خطراً على الصحة، وذلك من خلال تسرب الغازات أو السوائل.

- ◀ لا تقم بإرسال أو توريد بطاريات تالفة!
- ◀ قم بتغطية التوصيلات باستخدام مادة غير موصلة للكهرباء وذلك لتجنب حدوث قفلات كهربائية.
- ◀ تخلص من البطاريات بحيث لا تصل إلى متناول الأطفال.
- ◀ تخلص من البطارية لدى متجر Hilti Store أو توجه إلى مركز التخلص من النفايات المختص.

◀ لا تلق الأدوات الكهربائية، الأجهزة الإلكترونية والبطاريات ضمن القمامة المنزلية!


**12 مواصفة RoHS (مواصفة تقييد استخدام المواد الخطيرة)**

تجد جدول المواد الخطيرة تحت الروابط التالية: [qr.hilti.com/r3958236](http://qr.hilti.com/r3958236).  
تجد رابطاً بخصوص جدول RoHS في نهاية هذا المستند ككود QR.

**13 ضمان الجبة الصانعة**

◀ في حالة وجود أية استفسارات بخصوص شروط الضمان، يرجى التوجه إلى وكيل Hilti المحلي الذي تتعامل معه.



# オリジナル取扱説明書

## 1 文書について

### 1.1 本書について

- ご使用前に本書をすべてお読みください。このことは、安全な作業と問題のない取扱いのための前提条件となります。
- 本書および製品に記載されている安全上の注意と警告表示に注意してください。
- 取扱説明書は常に製品とともに保管し、他の人が使用する場合には、製品と取扱説明書を一緒にお渡しください。

### 1.2 記号の説明

#### 1.2.1 警告表示

警告表示は製品の取扱いにおける危険について警告するものです。以下の注意喚起語が使用されています：



**危険**

危険！

- ▶ この表記は、重傷あるいは死亡事故につながる危険性がある場合に注意を促すために使われます。



**警告**

警告！

- ▶ この表記は、重傷あるいは死亡事故につながる可能性がある場合に注意を促すために使われます。



**注意**

注意！

- ▶ この表記は、軽傷あるいは物財の損傷が発生する可能性がある場合に使われます。

#### 1.2.2 本書の記号

本書では、以下の記号が使用されています：

	使用前に取扱説明書をお読みください
	本製品を効率良く取り扱うための注意事項や役に立つ情報
	リサイクル可能な部品の取扱い
	工具およびバッテリーを一般ゴミとして廃棄してはなりません

#### 1.2.3 図中の記号

図中では以下の記号が使用されています：

<b>2</b>	この数字は本取扱説明書冒頭にある該当図を示しています
3	付番は図中の作業手順の順序に対応していて、本文の作業手順とは一致しない場合があります
⑪	概要図には項目番号が付されていて、製品概要セクションの凡例の番号に対応しています
	この記号は、製品の取扱いの際に特に注意が必要なことを示しています。

### 1.3 製品により異なる記号

#### 1.3.1 製品に表示されている記号

製品には以下の記号が使用されている場合があります：

	アイシールドを着用してください
--	-----------------



n	定格回転数
/min	毎分回転数
RPM	毎分回転数
∅	直径
==	直流
Li-Ion	Li-Ionen バッテリー
	使用されているHilti Li-Ion バッテリーのモデルシリーズ。正しい使用の章の記載に注意してください。
	バッテリーは決して打撃工具として使用しないでください。
	バッテリーは落下させないでください。ぶつけたり、あるいはその他の理由で損傷しているバッテリーは使用しないでください。
	本体は、iOS および Android プラットフォームと互換性のある NFC テクノロジーをサポートしています。

#### 1.4 製品情報

**HILTI** 製品はプロ仕様で製作されており、その使用、保守、修理を行うのは、認定を受けトレーニングされた人のみに限ります。これらの人は、遭遇し得る危険に関する情報を入手していなければなりません。製品およびアクセサリーの使用法を知らない者による誤使用、あるいは規定外の使用は危険です。機種名および製造番号は銘板に表示されています。

- ▶ 製造番号を以下の表に書き写しておいてください。ヒルティ代理店やサービスセンターへお問い合わせの際には、製品データが必要になります。

##### 製品データ

アングルグラインダー	AG 125-A22
製品世代	02
製造番号:	

#### 1.5 適合宣言

当社は、単独の責任において本書で説明している製品が有効な基準と標準規格に適合していることを宣言します。適合宣言書の複写は本書の末尾にあります。

技術資料は本書の後続の頁に記載されています：

Hilti Entwicklungsgesellschaft mbH | Zulassung Geräte | Hiltistraße 6 | 86916 Kaufering, DE

## 2 安全

### 2.1 安全上の注意

#### 2.1.1 電動工具の一般安全注意事項

**⚠ 警告事項！ 安全上の注意および指示事項をすべてお読みください。これらを守らないと、感電、火災および / または重傷事故の危険があります。**

安全上の注意および指示事項が書かれた説明書はすべて大切に保管してください。

##### 作業環境に関する安全

- ▶ 作業場はきれいに保ち、十分に明るくしてください。ちらかった暗い場所での作業は事故の原因となります。
- ▶ 爆発の危険性のある環境 (可燃性液体、ガスおよび粉じんのある場所) では電動工具を使用しないでください。電動工具から火花が飛散し、粉じんや揮発性ガスに引火する恐れがあります。
- ▶ 電動工具の使用時、子供や無関係者を作業場へ近づけないでください。作業中に気がそらされると、本体のコントロールを失ってしまう恐れがあります。





## 電気に関する安全注意事項

- ▶ パイプ、ラジエーター、電子レンジ、冷蔵庫などのアースされた面に体の一部が触れないようにしてください。体が触れると感電の危険が大きくなります。
- ▶ 電動工具を雨や湿気から保護してください。電動工具に水が浸入すると、感電の危険が大きくなります。

## 作業者に関する安全

- ▶ 電動工具を使用の際には、油断せずに十分注意し、常識をもった作業をおこなってください。疲れている場合、薬物、医薬品服用およびアルコール飲用による影響下にある場合には電動工具を使用しないでください。電動工具使用中の一瞬の不注意が重傷の原因となることがあります。
- ▶ 個人用保護具および保護メガネを常に着用してください。負傷の危険を低減するために、電動工具の使用状況に応じた粉じんマスク、耐滑性の安全靴、ヘルメット、耳栓などの個人用保護具を着用してください。
- ▶ 電動工具の不意な始動は避けてください。電動工具をバッテリーに接続する前や持ち上げたり運んだりする前に、電動工具がオフになっていることを確認してください。電動工具のスイッチに指を掛けたまま運んだり、スイッチオンになっている本体を電源に接続すると、事故の原因となる恐れがあります。
- ▶ 電動工具のスイッチを入れる前に、必ず調節キーやレンチを取り外してください。調節キーやレンチが本体の回転部に装着されたままでは、けがの原因となる恐れがあります。
- ▶ 作業中は不安定な姿勢をとらないでください。足元を安定させ、常にバランスを保つようにしてください。これにより、万一電動工具が異常状況に陥った場合にも、適切な対応が可能となります。
- ▶ 作業に適した作業着を着用してください。だぶだぶの衣服や装身具を着用しないでください。髪、衣服、手袋を本体の可動部に近づけないでください。だぶだぶの衣服、装身具、長い髪が可動部に巻き込まれる恐れがあります。
- ▶ 吸じんシステムの接続が可能な場合には、これらのシステムが適切に接続、使用されていることを確認してください。吸じんシステムを利用することにより、粉じん公害を防げます。

## 電動工具の使用および取扱い

- ▶ 無理のある使用を避けてください。作業用途に適した電動工具を使用してください。適切な電動工具の使用により、効率よく、スムーズかつ安全な作業が行えます。
- ▶ スイッチが故障している場合には、電動工具を使用しないでください。スイッチで始動および停止操作のできない電動工具は危険ですので、修理が必要です。
- ▶ 本体の設定やアクセサリーの交換を行う前や本体を保管する前には、バッテリーを取り外してください。この安全処置により、電動工具の不意の始動を防止することができます。
- ▶ 電動工具をご使用にならない場合には、子供の手の届かない場所に保管してください。本体に関する知識のない方、本説明書をお読みでない方による本体のご使用は避けてください。未経験者による電動工具の使用は危険です。
- ▶ 電動工具は慎重に手入れしてください。可動部分が引っ掛かりなく正常に作動しているか、電動工具の運転に影響を及ぼす各部分が破損・損傷していないかを確認してください。電動工具を再度ご使用になる前に、損傷部分の修理を依頼してください。発生事故の多くは保守管理の不十分な電動工具の使用が原因となっています。
- ▶ 先端工具は鋭利で汚れのない状態を保ってください。お手入れのゆきとどいた先端工具を使用すると、作業が簡単かつ、スムーズになります。
- ▶ 電動工具、アクセサリー、先端工具などは、それらの説明書に記載されている指示に従って使用してください。その際は、作業環境および用途についてもご注意ください。指定された用途以外に電動工具を使用すると危険な状況をまねく恐れがあります。

## バッテリー工具の使用および取扱い

- ▶ バッテリーを充電する場合は、必ずメーカー推奨の充電器を使用してください。特定タイプのバッテリー専用の充電器を他のバッテリーに使用すると、火災の恐れがあります。
- ▶ 電動工具には、必ず指定されたバッテリーを使用してください。指定以外のバッテリーを使用すると、負傷や火災の恐れがあります。
- ▶ 使用されていないバッテリーの近くに、事務用クリップ、硬貨、キー、釘、ネジ、その他の小さな金属物を置かないでください。電気接点の短絡が起こることがあります。バッテリーの電気接点間が短絡すると、火傷や火災が発生する危険があります。
- ▶ バッテリーを正しく使用しないと、液漏れが発生することがあります。その場合、漏れた液には触れないでください。流出したバッテリー液により、皮膚が刺激を受けたり火傷を負う恐れがあります。誤ってバッテリー液に触れてしまった場合は、水で洗い流してください。バッテリー液が眼に入った場合は、水で洗い流して医師の診断を受けてください。

## サービス

- ▶ 電動工具の修理は必ず認定サービスセンターにお申し付けください。また、必ず純正部品を使用してください。これにより電動工具の安全性が確実に維持されます。



## 2.1.2 研磨、紙やすり研磨、ワイアブラシを使用した作業、つや出しおよび切断研磨に共通する安全上の注意：

- ▶ この電動工具は、グラインダーおよびフリクションソーとして使用することができます。本体に関するすべての安全上の注意、注意事項、図、データに注意してください。以下の注意事項を守らないと、感電、火災および/または重傷事故の発生する危険があります。
- ▶ この電動工具は、紙やすり研磨、ワイアブラシを使用しての作業やつや出しには適しません。電動工具を所定の用途以外に使用すると危険な状況をまねき、負傷の原因となることがあります。
- ▶ この電動工具用としてメーカーから指定および推奨されていないアクセサリは使用しないでください。そのようなアクセサリはお使いの電動工具に単に固定できるだけで、安全な使用は保証されません。
- ▶ 先端工具の許容回転数は、電動工具に記載された最高回転数よりも高くなければなりません。許容回転数よりも速く回転するアクセサリは、破損あるいは外れて飛び回る恐れがあります。
- ▶ 先端工具の外径と厚さは電動工具の仕様に対応するものでなければなりません。間違ったサイズの先端工具は十分に保護または制御できません。
- ▶ ネジ式インサート付きの先端工具は、研磨スピンドルのネジに厳密に適合したものでなければなりません。フランジにより取り付ける先端工具の場合は、先端工具の穴の直径がフランジの取付け部直径に適合している必要があります。電動工具に確実に固定されていない先端工具は、回転が不安定になり、非常に激しい振動を起こして制御不能に陥る恐れがあります。
- ▶ 損傷した先端工具は使用しないでください。先端工具を使用する前に毎回、研磨ディスクに欠損や亀裂がないか、バックリングパッドに亀裂、摩耗、激しい損耗がないか、ワイアブラシに緩みや折れたワイアがないかをチェックしてください。電動工具または先端工具を落とした場合は、損傷がないかを点検し、損傷のない先端工具を使用してください。先端工具の点検および取り付け後は、作業員やその他の人員が先端工具の回転エリアに入らないようにして、本体を最高回転数で1分間動作させてください。先端工具に損傷がある場合は、たいていこのテスト時間内に先端工具が折れます。
- ▶ 個人保護用具を着用してください。使用状況に応じて、フルフェースガード、アイシールドあるいは保護メガネを着用してください。有効な場合は、防じんマスク、耳栓、保護手袋、作業材料の細かな剥離片や破片から身体を保護する特殊エプロンを着用してください。さまざまな使用状況において異物の飛散が生じます。飛散する異物から目を保護してください。防じんマスクは、作業時に発生する粉じんを捕集するものでなくてはなりません。長時間大きな騒音にさらされていると、聴覚に悪影響が出る恐れがあります。
- ▶ 作業員以外の人は作業場から安全な距離だけ遠ざけてください。関係者は全員、作業場で個人保護用具を着用しなければなりません。作業材料や折れた先端工具の破片が飛散して、作業場外の人も負傷する危険があります。
- ▶ 作業の実施に伴い先端工具が隠れている電線に接触する可能性がある場合は、必ず絶縁されたグリップで電動工具を保持するようにしてください。通電しているケーブルと接触すると、本体の金属部分にも電圧がかかり、感電の危険があります。
- ▶ 回転する先端工具から電源コードを遠ざけてください。本体が制御不能になった場合、電源コードが切断されたり巻き込まれたりして、回転する先端工具で手や腕を負傷する危険があります。
- ▶ 必ず電動工具が完全に停止してから電動工具を置いてください。電動工具を置いたときに先端工具が回転していると、電動工具が制御不能に陥る恐れがあります。
- ▶ 電動工具を身体の脇に保持している間は本体を動作させないでください。回転する先端工具に衣服が接触すると、衣服が巻き込まれて先端工具が身体に食い込む危険があります。
- ▶ 電動工具の通気溝は定期的な清掃してください。モーターブローが埃をハウジング内に引き込んで金属粉じんが大量に堆積すると、電気的な危険が発生する恐れがあります。
- ▶ 可燃物の近くで電動工具を使用しないでください。可燃物に火花が飛んで燃える可能性があります。
- ▶ 冷却液が必要な先端工具は使用しないでください。水やその他の冷却液を使用すると、感電が発生する可能性があります。

### 反動とそれに対する安全上の注意

反動は、研磨ディスク、バックリングパッド、ワイアブラシなどの回転している先端工具が噛んだりブロックされたりしたことに起因する突発的な反応です。先端工具が噛んだりブロックされたりすると、回転している先端工具が突然停止します。これにより電動工具は、ブロックが生じた位置において制御されることなく先端工具の回転方向と反対の方向に加速されます。

例えば、研磨ディスクが作業材料の中で噛んだりブロックされたりすると、作業材料に入り込んだ研磨ディスクの縁部が引っかかって破損したり、反動が起きたりすることがあります。その際は、ブロックされた箇所でのディスクの回転方向により、研磨ディスクが作業員の方向やその逆方向に動きます。この場合研磨ディスクが折損することもあります。

電動工具の取り扱いが正しくないと、反動が生じます。反動は、以下に示すような適切な予防措置を取ることによって防止することができます。



- ▶ 電動工具はしっかりと支え、反動を受け止めることができるように身体と腕を構えます。高速作動時の反力や反発モーメントを最大制限できるような、常に補助グリップ（装備されている場合）を使用してください。作業者は適切な安全処置を施すことにより反動を防止することができます。
- ▶ 手を回転する先端工具から遠ざけてください。反動で先端工具が手に向かって動く可能性があります。
- ▶ 反動が生じた際に電動工具が動く領域から身体を遠ざけてください。電動工具は、ブロックされた箇所において反動により研磨ディスクの動きと反対方向に動きまわります。
- ▶ 特に角部や鋭い縁部などの領域では慎重に作業してください。先端工具が作業材料から跳ね返ったり、噛んだりしないようにしてください。回転中の先端工具は、角部や鋭い縁部で、あるいはバウンドしたときに噛みやすくなります。その場合、電動工具が制御不能に陥ったり反動が生じたりします。
- ▶ チェーンソーまたは歯付きソーブレードを使用しないでください。この種の先端工具を使用すると、頻繁に反動が生じたり電動工具が制御不能になったりします。

#### 研磨および切断研磨に特定の安全上の注意：

- ▶ お使いの電動工具に許可された研磨ツールと、その研磨ツール専用の保護カバーのみを使用してください。お使いの電動工具用ではない研磨ツールは、絶縁が十分でないことがあり安全ではありません。
- ▶ フック状の研磨ディスクは、研磨面が保護カバー端部の高さより突出しないように取り付ける必要があります。誤まって保護カバー端部の高さより突出して取り付けられた研磨ディスクは十分に保護できません。
- ▶ 保護カバーは確実に電動工具に取り付けられていて、最大限の安全性を確保するために、グラインダー本体の最も小さい部品を作業者が確認できるように調整されていなければなりません。保護カバーは、作業者を破片、誤ってグラインダー本体と接触すること、あるいは衣服に着火する可能性のある火花から保護します。
- ▶ 研磨ツールは必ず推奨された用途でのみ使用してください。例：カッティングディスクのサイド面で研磨しないでください。カッティングディスクはディスクの縁部で材料を切断するように規定されています。この研磨ツールへ横方向の力を加えるとツールが折れる可能性があります。
- ▶ テンションフランジは、必ずサイズと形状が選択した研磨ディスクに合った損傷していないものを使用してください。適切なフランジは研磨ディスクをしっかり支え、ディスク破損の危険を抑えます。カッティングディスク用のフランジは他の研磨ディスク用のフランジと異なることがあります。
- ▶ 大型電動工具の摩耗した研磨ディスクは使用しないでください。大型電動工具の研磨ディスクは小型電動工具の高回転数には適合せず、破損の恐れがあります。

#### 切断研磨に特定のその他の安全上の注意：

- ▶ カッティングディスクがブロックされたり、押し付けが強くなりすぎないようにしてください。過度に深い切断は行わないでください。カッティングディスクに過度な負荷がかかると、応力が強くなってディスクが曲がったりブロックされやすくなるため、反動やディスク破損が生じる可能性が高くなります。
- ▶ 回転中のカッティングディスクの前後領域から身体を離してください。カッティングディスクを作業材料から離す場合、回転するディスクにより反力を受けた電動工具が直接作業者に向かって跳ね返る危険があります。
- ▶ カッティングディスクが噛んだ場合や作業を中断する場合は、本体の電源をオフにして、ディスクが完全に停止するまで本体を保持してください。まだ回転しているカッティングディスクを切断箇所から取り出そうとしないでください。反動が生じる原因となります。ディスクが噛む場合は、その原因を突き止めて適切な処置を施してください。
- ▶ 電動工具が作業材料内にある間は電動工具のスイッチを再びオンにしないでください。カッティングディスクが最高回転数に達してから、切断を慎重に再開してください。この手順を守らないと、ディスクが引っかかって作業材料から飛び出たり、反動が生じることがあります。
- ▶ 噛んだカッティングディスクによる反動の危険を最小限に抑えるために、プレートや大型の作業材料にはサポートを施してください。大型の作業材料はそれ自身の重みでたわむことがあります。作業材料はディスクの両側、つまり切断箇所付近と縁部で支える必要があります。
- ▶ 既存の壁やその他の見通しのきかない領域で「ブランチカット」を行う場合は特に注意してください。押し込んだカッティングディスクはガス管、水道管、電気配線、その他の対象物に食い込んで反動を引き起こすことがあります。

### 2.1.3 その他の安全上の注意

#### 作業者に関する安全

- ▶ 本製品は、必ず技術的に問題のない状態で使用してください。
- ▶ 本体は決して加工や改造を加えないでください。
- ▶ 回転部品に触れないでください - 負傷の危険！
- ▶ 保護手袋は先端工具の交換時にも着用してください。先端工具に触れると、切創事故や火傷の原因となることがあります。
- ▶ 作業開始前に、作業場で発生する粉じんの危険有害度を調査してください。公的に承認された保護等級および地域の粉じんに関する規定を満たした工業用集じん機を使用してください。含鉛塗料、特定の種



類の木材、コンクリート / 石材、石英を含む岩石、鉱物および金属などの母材から生じた粉じんは、健康を害する恐れがあります。

- ▶ 作業場の良好な換気に注意し、必要に応じてそれぞれの粉じんに適した防じんマスクを着用してください。作業者や近くにいる人が粉じんに触れたり吸い込んだりすると、アレルギー反応や呼吸器疾患を起こす可能性があります。カシヤブナ材などの特定の粉じんは、特に木材処理用の添加剤（クロム塩酸、木材保護剤）が使用されている場合、発ガン性があるとされています。アスベストが含まれる母材は、必ず専門家が取り扱うようにしてください。
- ▶ 休憩を取って、指を動かして血行を良くするように心がけてください。長時間作業の際には、振動により指、手あるいは手首の関節の血管あるいは神経系に障害が発生する可能性があります。

#### 電気に関する安全注意事項

- ▶ 作業を開始する前に、作業領域に埋設された電線、ガス管や水道管がないかを調査してください。誤って電線を損傷すると、本体外側の金属部分により感電事故が発生する可能性があります。

#### 電動工具の慎重な取扱いおよび使用

- ▶ 切断研磨ディスクを粗削り研磨に使用しないでください。
- ▶ 先端工具とフランジをしっかりと締め付けてください。先端工具またはフランジがしっかりと締め付けられていないと、スイッチオフの後、制動の際に先端工具が本体モーターによりスピンドルから外れる危険があります。
- ▶ 研磨ディスクの取扱いと保管に関するメーカーの指示に注意してください。

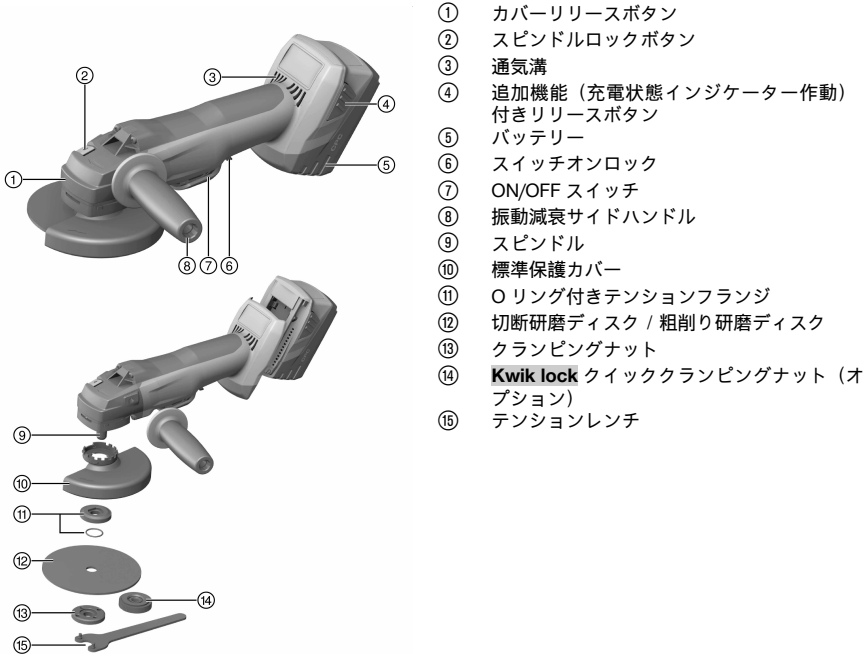
#### 2.1.4 バッテリーの慎重な取扱いおよび使用

- ▶ Li-Ion バッテリーの搬送、保管、作動については特別規定を守ってください。
- ▶ バッテリーは高温、直射日光および火気を避けて保管してください。
- ▶ バッテリーを分解したり、挟んだり、80 °C 以上に加熱したり、燃やしたりしないでください。
- ▶ 衝撃を受けたことのあるバッテリー、1 m を超える高さから落下したことのあるバッテリー、あるいはその他の損傷を被っているバッテリーを使用あるいは充電しないでください。この場合には、必ず最寄りのHilti サービスセンターにご連絡ください。
- ▶ バッテリーが掴むことのできないほどに熱くなっている場合は、故障している可能性があります。製品を監視可能な火気のない場所に可燃性の資材から十分に距離をとって置き、冷ましてください。この場合には、必ず最寄りのHilti サービスセンターにご連絡ください。



### 3 製品の説明

#### 3.1 製品概要



- ① カバーリリースボタン
- ② スピンドルロックボタン
- ③ 通気溝
- ④ 追加機能 (充電状態インジケータ作動) 付きリリースボタン
- ⑤ バッテリー
- ⑥ スイッチオンロック
- ⑦ ON/OFF スイッチ
- ⑧ 振動減衰サイドハンドル
- ⑨ スピンドル
- ⑩ 標準保護カバー
- ⑪ Oリング付きテンションフランジ
- ⑫ 切断研磨ディスク / 粗削り研磨ディスク
- ⑬ クランピングナット
- ⑭ **Kwik lock** クイッククランピングナット (オプション)
- ⑮ テンションレンチ

#### 3.2 正しい使用

本書で説明している製品は、手持ち式の充電式アングルグラインダーです。この工具は、金属および鋳物母材の切断研磨と粗削り研磨、およびタイル穴あけ用の乾式アングルグラインダーです。乾式の研磨 / 切断のみに使用してください。

- 鋳物母材の切断研磨、切込みおよび粗削り研磨は、必ず適切な保護カバー（オプションでお求めいただけます）を使用して行ってください。
- コンクリートあるいは石材などの鋳物母材に対する作業には、適切なHilti集じん機に合わせて調整された集じんカバーを使用しなければなりません。
- ▶ 本製品には、必ずHiltiのB 22シリーズのLi-Ionバッテリーを使用してください。
- ▶ これらのバッテリーには、必ずHiltiのC4/36シリーズの充電器を使用してください。

#### 3.3 本体標準セット構成

アングルグラインダー、サイドハンドル、標準保護カバー、フロントカバー、テンションフランジ、クランピングナット、テンションレンチ、取扱説明書。

その他のご使用の製品用に許可されたシステム製品については、弊社営業担当またはHilti Storeにお問い合わせいただくか、あるいは[www.hilti.group](http://www.hilti.group)でご確認ください。

#### 3.4 温度感応本体保護

温度感応モーター保護は消費電流およびモーターの加熱をモニターして、本体を加熱から保護します。接触圧が高すぎてモーターが過負荷になると、本体の出力が著しく低下するか、本体が動作を停止することがあります。

過負荷により停止または回転数の低下が発生した場合は、本体を負荷から解放して約 30 秒間無負荷回転数で動作させてください。



### 3.5 フロントカバー付き保護カバー ②

金属母材の加工の際、ストレート粗削り研磨ディスクを使用しての粗削り研磨、および切断研磨ディスクを使用しての切断研磨には、フロントカバー付き標準保護カバーを使用してください。

### 3.6 切断用ダストカバーDC-EX 125/5" C コンパクトカバー (アクセサリ) ③

ダイヤモンド切断研磨ディスクによる鋳物母材の切断研磨にはDC-EX 125/5" C コンパクトカバーを使用してください。

注意 このカバーによる金属の加工は禁止されています。

### 3.7 DG-EX 125/5" 研磨用ダストカバー (アクセサリ) ④

研磨システムは、ダイヤモンド研磨ディスクを使用しての鋳物母材のあまり頻繁ではない研磨にのみ適しています。

注意 このカバーによる金属の加工は禁止されています。

### 3.8 Li-Ion バッテリーの充電状態インジケータ

Li-Ion バッテリーの充電状態は、2つのバッテリーリリースボタンのいずれかを押すと表示されます。

状態	意味
4 個の LED が点灯。	充電状態：75 %...100 %
3 個の LED が点灯。	充電状態：50 %...75 %
2 個の LED が点灯。	充電状態：25 %...50 %
1 個の LED が点灯。	充電状態：10 %...25 %
1 個の LED が点滅。	充電状態：< 10 %

**i** 作業中および作業直後は、充電状態の読み取りは行えません。バッテリーの充電状態インジケータの LED が点滅している場合は、「故障時のヒント」の章の注意事項を確認してください。

## 4 消耗品

使用できるのは、最大径 125 mm 用の、回転数 11000 min<sup>-1</sup> 以上で 80 m/s のカット速度に対応した繊維強化合成樹脂ディスクのみです。

最大粗削り研磨ディスク厚さは 6.4 mm、最大切断研磨ディスク厚さは 3 mm です。

注意！ 切断研磨ディスクによる切断および切込みの際には、必ずフロントカバーを追加した標準保護カバー、あるいは完全に閉じたダストカバーを使用してください。

ディスク

	用途	略号	母材
アブレーシブ切断研磨ディスク	切断研磨、切込み	AC-D	金属
ダイヤモンド切断研磨ディスク	切断研磨、切込み	DC-TP、DC-D (SPX、SP、P)	鋳物
アブレーシブ粗削り研磨ディスク	粗削り研磨	AG-D、AF-D、AN-D	金属
ダイヤモンド粗削り研磨ディスク	粗削り研磨	DG-CW (SPX、SP、P)	鋳物
ダイヤモンドコアビット	タイル穴あけ	DD-M14	鋳物

ディスクと装備の組合せ

項目	装備	AC-D	AG-D	AF-D	AN-D	DG-CW	DC-D	DD-M14
A	保護カバー	X	X	X	X	X	X	X
B	フロントカバー (A との組合せ)	X	—	—	—	—	X	—
C	DG-EX 125/5" 研磨用ダストカバー	—	—	—	—	X	—	—
D	DC-EX 125/5" C 切断用ダストカバー (A との組合せ)	—	—	—	—	—	X	—



項目	装備	AC-D	AG-D	AF-D	AN-D	DG-CW	DC-D	DD-M14
E	サイドハンドル	X	X	X	X	X	X	X
F	DCBG 125 弓型ハンドル (E に対するオプション)	X	X	X	X	X	X	X
G	クランピングナット	X	X	X	X	X	X	—
H	テンションフランジ	X	X	X	X	X	X	—
I	<b>Kwik lock</b> (G に対するオプション)	X	X	X	X	—	X	—

## 5 製品仕様

	AG 125-A22
定格電圧	21.6 V
定格回転数	9,500/min
最大ディスク直径	125 mm
EPTA Procedure 01 に準拠した重量 (B228.0 バッテリーを含む)	3.3 kg
駆動スピンドルネジ	M14
スピンドルの長さ	22 mm

### 5.1 騒音および振動値について (EN 60745 準拠)

本説明書に記載されているサウンドプレッシャー値および振動値は、規格に準拠した測定方法に基づいて測定したものです。電動工具を比較するのにご使用いただけます。曝露値の暫定的な予測にも適しています。記載されているデータは、電動工具の主要な使用方法に対する値です。電動工具を他の用途で使用したり、異なる先端工具を取り付けて使用したり、手入れや保守が十分でないまま使用した場合には、データが異なることがあります。このような相違により、作業時間全体で曝露値が著しく高くなる可能性があります。曝露値を正確に予測するためには、本体のスイッチをオフにしている時間や、本体が作動していても実際には使用していない時間も考慮しなければなりません。このような相違により、作業時間全体で曝露値が著しく低くなる可能性があります。作業者を騒音および / または振動による影響から保護するために、他にも安全対策を立ててください。(例：電動工具およびの先端工具の手入れや保守、手を冷やさないようにする、作業手順の計画を立てる)。

#### 騒音について

排出サウンドプレッシャーレベル ( $L_{pA}$ )	83 dB(A)
サウンドプレッシャーレベルの不確実性 ( $K_{pA}$ )	3 dB(A)
サウンドパワーレベル ( $L_{WA}$ )	94 dB(A)
サウンドパワーレベルの不確実性 ( $K_{WA}$ )	3 dB(A)

#### 振動について

切断などの他の用途に使用した場合には、振動値がここに記載した値から変化する可能性があります。

振動低減ハンドルを使用しての表面研磨 ( $a_{h,AG}$ )	3.8 m/s <sup>2</sup>
不確実性 (K)	1.5 m/s <sup>2</sup>

### 5.2 バッテリー

バッテリー作動電圧	21.6 V
作動時の周囲温度	-17 °C ... 60 °C
保管温度	-20 °C ... 40 °C
充電開始時のバッテリー温度	-10 °C ... 45 °C



## 6 ご使用前に

### 6.1 バッテリーを装着する

#### 注意

負傷の危険。アングルグラインダーの意図しない始動が原因。

- ▶ バッテリーを装着する前に、アングルグラインダーがオフになっていること、およびスイッチオンロックが作動していることを確認してください。

#### 注意

電気的な危険。電気接点が汚れていると短絡が発生することがあります。

- ▶ バッテリーを装着する前に、バッテリーの電気接点とアングルグラインダーの電気接点に異物が入っていないか確認してください。

#### 注意

負傷の危険。バッテリーが正しく装着されていないと落下することがあります。

- ▶ バッテリーが確実に本体に固定され、落下して作業者およびその他の人が危険にさらされることがないか、確認してください。
- ▶ バッテリーを装着し、本体にバッテリーがしっかりと固定されていることを確認してください。

### 6.2 バッテリーを取り外す

- ▶ バッテリーを取り外します。

### 6.3 サイドハンドルを取り付ける

- ▶ サイドハンドルをいずれかのねじ込みブッシュにねじ込みます。


### 6.4 先保護カバーを取り付ける / 取り外す

#### 注意

負傷の危険。先端工具は熱くなっていたり、エッジが鋭くなっている場合があります。

- ▶ 取付け、取外し、調整作業および不具合の除去の際には保護手袋を着用してください。
- ▶ 当該の保護カバーの取付け説明書に従ってください。

#### 6.4.1 保護カバーを取り付ける

 保護カバーは、本体に対応した保護カバーのみを取り付けることができるようにするコーディングカムを備えています。保護カバーは、コーディングカムとともに本体のカバーホルダー内を動きます。

1. 保護カバーと本体の三角形のマークが互に向かい合うように、保護カバーをスピンドルカラーに乗せます。
2. 保護カバーをスピンドルカラーに押し付けます。
3. カバーリリースボタンを押します。
4. 保護カバーがロックされてカバーリリースボタンが元の位置に戻るまで、保護カバーを回します。


#### 6.4.2 保護カバーを調整する

- ▶ カバーリリースボタンを押して、保護カバーを希望の方向にロックされるまで回します。

#### 6.4.3 保護カバーを取り外す

1. カバーリリースボタンを押し、保護カバーと本体の三角形のマークが互に向かい合うようになるまで保護カバーを回します。
2. 保護カバーを取り外します。

### 6.5 フロントカバーを取り付ける / 取り外す

 フロントカバーを取り付けて作業する場合は、フロントカバーは保護カバーに差し込んでください。





1. フロントカバーの閉じた側を標準保護カバーにロックするまで取り付けてください。
2. フロントカバーを取り外すには、フロントカバーのロックを開いて標準保護カバーからフロントカバーを取り外します。

## 6.6 DC-EX 125/5"C 切断用ダストカバーを位置決めする

- ▶ コンパクトカバーは、いつでも ON/OFF スイッチを操作できるように位置決めしてください。

## 6.7 先端工具を取り付ける / 取り外す

### 注意

負傷の危険。先端工具は熱くなることがあります。

- ▶ 先端工具を交換する際には保護手袋を着用してください。



切断性能または研磨性能が明らかに低下したなら、ダイヤモンドディスクは直ちに交換する必要があります。一般的に、ダイヤモンドセグメントの高さが 2 mm 未満になったらダイヤモンドディスクを交換する必要があります。

その他のタイプのディスクは、切断性能が明らかに低下した場合、あるいは作業中にアングルグラインダーの部品（ディスクを除く）が作業対象と接触した場合には直ちに交換する必要があります。アブレーシブディスクは有効期限が切れたなら交換する必要があります。

### 6.7.1 先端工具を取り付ける

1. バッテリーを取り外します。→ 頁 186
2. テンションフランジに O リングがあり損傷していないことを確認してください。  
点検結果  
O リングが損傷しています。  
テンションフランジに O リングがありません。  
▶ O リングのある新しいテンションフランジを取り付けてください。
3. テンションフランジを、緩みなく、回転しないようにスピンドルに取り付けます。
4. 先端工具を取り付けます。

### 警告

負傷の危険。本体モーターの制動時に先端工具が外れることがあります。

- ▶ 先端工具あるいはクランピングナットを掴むのは、先端工具が停止するまでお待ちください。
- ▶ 先端工具とテンションフランジはクランピングナットを使用して締め付け、本体モーターの制動時にスピンドルから外れる部品がないようにしてください。

5. クランピングナットを装着した先端工具に合わせてしっかり締め付けます。
6. スピンドルロックボタンを押して、その状態を保ちます。
7. テンションレンチでクランピングナットを締め付け、続いてスピンドルロックボタンから指を放してテンションレンチを取り外します。

### 6.7.2 先端工具を取り外す

1. バッテリーを取り外します。→ 頁 186

### 注意

破損および故障の危険。スピンドルが回転しているときにスピンドルロックボタンを押すと、先端工具が外れることがあります。

- ▶ スピンドルロックボタンは必ずスピンドルが停止している状態で押してください。

2. スピンドルロックボタンを押して、その状態を保ちます。
3. テンションレンチを取り付けて、反時計方向に回してクランピングナットを緩めます。
4. スピンドルロックボタンから指を放して先端工具を取り外します。

### 6.7.3 Kwik lock クイッククランピングナット付き先端工具を取り付ける

### 注意

破損の危険。Kwik lock クイッククランピングナットは過度の摩耗により破損することがあります。

- ▶ 作業の際には Kwik lock クイッククランピングナットが母材と接触しないように注意してください。
- ▶ 損傷した Kwik lock クイッククランピングナットは使用しないでください。



**i** クランピングナットの代わりにオプションの**Kwik lock** クイッククランピングナットを使用することができます。これにより、追加の工具を使わずに先端工具を交換できます。

1. バッテリーを取り外します。→ 頁 186
2. テンションフランジとクイッククランピングナットを清掃してください。
3. テンションフランジをスピンドルに取り付けます。
4. 先端工具を取り付けます。
5. **Kwik lock** クイッククランピングナットをネジで取り付け、先端工具の上ののっている状態にします。
  - ▶ ねじ込んだ状態で**Kwik lock** の文字を確認できます。
6. スピンドルロックボタンを押して、その状態を保ちます。
7. 先端工具を手で力を入れて時計方向にさらに回して**Kwik lock** クイッククランピングナットを確実に締め付け、続いてスピンドルロックボタンから指を放します。

#### 6.7.4 **Kwik lock** クイッククランピングナット付き先端工具を取り外す

1. バッテリーを取り外します。→ 頁 186

#### **⚠ 注意**

**破損および故障の危険。** スピンドルが回転しているときにスピンドルロックボタンを押すと、先端工具が外れることがあります。

- ▶ スピンドルロックボタンは必ずスピンドルが停止している状態で押してください。
2. スピンドルロックボタンを押して、その状態を保ちます。
  3. **Kwik lock** クイッククランピングナットを緩めるには、手で反時計方向に回します。
  4. **Kwik lock** クイッククランピングナットを手で緩めることができない場合は、テンションレンチをクイッククランピングナットに取り付けて、テンションレンチを反時計方向に回します。



**Kwik lock** クイッククランピングナットを損傷させることのないように、決してパイプレンチを使用しないでください。

5. スピンドルロックボタンから指を放して先端工具を取り外します。

#### 6.7.5 コアビットを取り付ける **12**

1. バッテリーを取り外します。→ 頁 186
2. サイドハンドルを取り付けます。→ 頁 186
3. 保護カバーを取り付けます。→ 頁 186
4. コアビットを取り付けて、手で締め付けます。
5. スピンドルロックボタンを押して、その状態を保ちます。
6. 適切なオープンエンドレンチを使用してコアビットを締め付けます。
7. 続いてスピンドルロックボタンから指を放してオープンエンドレンチを取り外します。

## 7 ご使用方法

### 7.1 研磨

#### **⚠ 注意**

**負傷の危険。** 先端工具は、突然停止したりひっかかることがあります。

- ▶ 本体はサイドハンドル（オプションで弓型ハンドルもあります）を付けて使用し、必ず両手で確実に保持してください。

### 7.2 切断研磨

- ▶ 切断研磨の場合は、適度に送りながら作業し、本体または切断研磨ディスクを傾けないようにします（作業位置は切断面に対して約 90°）。



成形材および小型の角パイプは、切断研磨ディスクの接触断面をできるだけ小さくすることによって最も効率よく切断することができます。



### 7.3 粗削り研磨

#### 注意

負傷の危険。切断研磨ディスクが破損して飛散した破片により負傷することがあります。

▶ 切断研磨ディスクは決して粗削り研磨に使用しないでください。

- ▶ 本体を 5°...30° のアプローチ角度で、適度な圧力をかけながら前後に動かします。
  - ▶ 作業材料は熱くなりすぎたり変色することがなく、凹凸なく仕上げることができます。

### 7.4 スイッチオンロック付き ON/OFF スイッチでのスイッチオン



スイッチオンロック付きの ON/OFF スイッチによりスイッチ機能をチェックし、本体が意図せず始動するのを防ぐことができます。

1. スイッチオンロックを前方へ押します。
  - ▶ ON/OFF スイッチがロック解除されます。
2. ON/OFF スイッチを完全に押し込みます。
  - ▶ 本体モーターが無負荷回転数で作動します。

### 7.5 スイッチオンロック付き ON/OFF スイッチでのスイッチオフ

- ▶ ON/OFF スイッチから指を放します。
  - ▶ スイッチオンロックは自動的にロック位置に切り替わります。

## 8 手入れと保守

#### 警告

バッテリーを装着した状態における負傷の危険！

▶ 手入れや保守作業の前に必ずバッテリーを取り外してください！

#### 本体の手入れ

- 強固に付着した汚れは慎重に除去してください。
- 通気溝を乾いたブラシで入念に清掃してください。
- ハウジングは必ず軽く湿らせた布で清掃してください。シリコンを含んだ清掃用具はプラスチック部品をいためる可能性があるので使用しないでください。

#### Li-Ion バッテリーの手入れ

- バッテリーは清潔に保ち、オイルやグリスで汚さないようにしてください。
- ハウジングは必ず軽く湿らせた布で清掃してください。シリコンを含んだ清掃用具はプラスチック部品をいためる可能性があるので使用しないでください。
- 湿気が入り込まないようにしてください。

#### 保守

- 目視確認可能なすべての部品について損傷の有無を、操作エレメントについては問題なく機能することを定期的に点検してください。
- 損傷および / または機能に問題のある場合は、本製品を使用しないでください。直ちに Hilti サービスセンターに修理を依頼してください。
- 手入れおよび保守作業の後は、すべての安全機構を取り付けて機能を点検してください。



安全な作動のために、必ず純正のスペアパーツと消耗品を使用してください。本製品向けに弊社が承認したスペアパーツ、消耗品およびアクセサリは、弊社営業担当または Hilti Store にお問い合わせいただくか、あるいは [www.hilti.group](http://www.hilti.group) でご確認ください。

## 9 バッテリー装置の搬送および保管

#### 搬送

#### 注意

搬送時の予期しない始動！

▶ お使いの製品は、必ずバッテリーを装着していない状態で搬送してください！



- ▶ バッテリーを取り外します。
- ▶ バッテリーは決して梱包しない状態で搬送しないでください。
- ▶ 本体とバッテリーを長距離にわたって搬送した後は、使用前に損傷がないかチェックしてください。

### 保管上の注意事項

#### 注意

故障したあるいは液漏れしたバッテリーによる予期しない損傷！

▶ お使いの製品は、必ずバッテリーを装着していない状態で保管してください！

- ▶ 本体とバッテリーは、できるだけ涼しくて乾燥した場所に保管してください。
- ▶ バッテリーを太陽の直射下、ラジエーターの上、窓際等で保管しないでください。
- ▶ 本体とバッテリーは、子供や権限のない人が手を触れることのないようにして保管してください。
- ▶ 本体とバッテリーを長期間にわたって保管した後は、使用前に損傷がないかチェックしてください。

## 10 故障時のヒント

この表に記載されていない、あるいはご自身で解消することのできない故障が発生した場合には、弊社営業担当またはHilti サービスセンターにご連絡ください。

### 10.1 故障かな？と思った時

故障	考えられる原因	解決策
バッテリーの放電が通常よりも早い。	周囲温度が低すぎる。	▶ バッテリーをゆっくり室温まで暖める。
バッテリーが「カチッ」と音がするまでロックされない。	バッテリーのロックノッチが汚れている。	▶ ロックノッチを清掃してバッテリーを改めてロックする。
1個のLEDが点滅。 本体が作動しない。	バッテリーが放電している。	▶ バッテリーを交換し、空のバッテリーを充電する。
	バッテリーの温度が低すぎる、または高すぎる。	▶ バッテリーをゆっくり室温まで暖める / 冷ます。
4個の全てのLEDが点滅。 本体が作動しない。	本体の過負荷。	▶ コントロールスイッチから指を放し、改めてコントロールスイッチを操作する。続いて本体を約30秒間アイドリングさせる。
アングルグラインダーあるいはバッテリーが熱くなる。	電氣的故障	▶ 本体の電源を直ちに切ってバッテリーを取り外して観察する、バッテリーを冷ましてHilti サービスセンターに連絡する。
本体がフルパワーにならない。	容量の十分でないバッテリーが装着されている。	▶ 十分な容量のバッテリーを使用する。
モーターの制動機能なし。	バッテリーが放電している。	▶ バッテリーを交換し、空のバッテリーを充電する。
	本体に短期的に過負荷がかかっている。	▶ コントロールスイッチから指を放し、改めてコントロールスイッチを操作する。

## 11 廃棄

Hilti 製品の大部分の部品はリサイクル可能です。リサイクル前にそれぞれの部品は分別して回収されなければなりません。多くの国でHiltiは、古い電動工具をリサイクルのために回収しています。詳細については弊社営業担当またはHilti 代理店・販売店にお尋ねください。

### バッテリーを廃棄する

バッテリーを誤った方法で廃棄すると、漏出するガスあるいはバッテリー液により健康を損なう危険があります。

- ▶ 損傷したバッテリーを送付しないでください！
- ▶ 短絡を防止するために接続部を非導電性のもので覆ってください。
- ▶ バッテリーは子供が手を触れることのないように廃棄してください。



- ▶ 배터리의廃棄は、最寄りのHilti Storeあるいは適切な廃棄物処理業者に依頼してください。



- ▶ 電動工具、電子機器およびバッテリーを一般ゴミとして廃棄してはなりません！

## 12 RoHS (有害物質使用制限に関するガイドライン)

下記のリンクより、有害物質を記載した表を確認できます : [qr.hilti.com/r3958236](http://qr.hilti.com/r3958236).  
本書の最終ページに RoHS 表にリンクした QR コードがあります。

## 13 メーカー保証

- ▶ 保証条件に関するご質問は、最寄りのHilti 代理店・販売店までお問い合わせください。

# 오리지널 사용 설명서

## 1 문서 관련 기재사항

### 1.1 본 문서에 대해

- 처음 사용하기 전에 본 문서 전체를 읽으십시오. 안전하게 작업하고 문제 없이 취급하기 위한 전제가 됩니다.
- 본 문서 및 제품에 나와 있는 안전 지침 및 경고 지침에 유의하십시오.
- 항상 제품에 있는 사용 설명서를 잘 보관하고 제품은 반드시 본 지침과 함께 다른 사람에게 전달하십시오.

### 1.2 기호 설명

#### 1.2.1 경고사항

본 제품을 다루면서 발생할 수 있는 위험에 대한 경고사항. 다음과 같은 시그널 워드가 사용됩니다.



**위험**

위험!

- ▶ 이 기호는 직접적인 위험을 표시합니다. 만약 지키지 않으면 심각한 부상을 당하거나 사망할 수도 있습니다.



**경고**

경고!

- ▶ 이 기호는 잠재적인 위험을 표시합니다. 만약 지키지 않으면 심각한 부상을 당하거나 사망할 수도 있습니다.



**주의**

주의!

- ▶ 이 기호는 특별히 중요한 안전상의 주의사항을 표시합니다. 만약 지키지 않으면, 심각한 부상 또는 물적 손실을 입을 수 있습니다.

#### 1.2.2 문서에 사용된 기호

본 문서에서 사용되는 기호는 다음과 같습니다.



사용하기 전에 사용설명서를 읽으십시오.



적용 지침 및 기타 유용한 사용정보



재사용이 가능한 자재 취급방법



전기 기기 및 배터리를 일반 가정의 쓰레기처럼 폐기해서는 안 됨



### 1.2.3 그림에 사용된 기호

다음과 같은 기호가 그림에 사용됩니다.

	이 숫자는 본 설명서의 첫 부분에 있는 해당 그림을 나타냅니다.
3	매겨진 숫자는 작업 단계의 순서를 나타내며, 텍스트에 매겨진 작업 단계와 차이가 있을 수 있습니다.
	항목 번호는 개요 그림에서 사용되며, 제품 개요 단락에 나와 있는 기호 설명 번호를 나타냅니다.
	이 표시는 제품을 다룰 때, 특별히 주의할 사항을 나타냅니다.

## 1.3 제품 관련 기호

### 1.3.1 제품에 사용된 기호

제품에 사용되는 기호는 다음과 같습니다.

	보안경 착용
n	정격 회전 속도
/min	분당 회전수
RPM	분당 회전수
	직경
	직류
Li-Ion	리튬이온 배터리
	사용한 Hilti 리튬이온 배터리 모델 시리즈. 규정에 맞는 사용 단원에 제시된 내용에 유의하십시오.
	배터리는 절대 타격 공구로 사용해서는 안 됩니다.
	배터리를 떨어뜨리지 마십시오. 타격을 받은 적이 있거나 다른 손상이 있는 배터리는 사용하지 마십시오.
	본 기기는 iOS 및 Android 플랫폼과 호환 가능한 NFC 기술을 지원합니다.

## 1.4 제품 정보

제품은 전문가용으로 설계되어 있으며, 해당 교육을 이수한 공인된 작업자를 통해서만 조작, 유지 보수 및 수리 작업을 진행할 수 있습니다. 이 기술자는 발생할 수 있는 위험에 대해 특별 교육을 받은 상태여야 합니다. 교육을 받지 않은 사람이 제품을 부적절하게 취급하거나 규정에 맞지 않게 사용할 경우에는 기기와 그 보조기구에 의해 부상을 당할 위험이 있습니다.

형식 명칭 및 일련 번호는 형식 라벨에 제시되어 있습니다.

- ▶ 일련 번호를 다음의 표에 옮기십시오. 대리점 또는 서비스 센터에 문의할 경우 제품 제원이 필요합니다.

#### 제품 제원

앵글 그라인더	AG 125-A22
세대	02
일련 번호	

## 1.5 적합성 선언

폐사는 전적으로 책임을 지고 여기에 기술된 제품이 통용되는 기준과 규격에 일치함을 공표합니다. 적합성 증명서 사본은 본 문서 끝 부분에서 확인할 수 있습니다.

기술 문서는 이곳에 기술되어 있습니다.

Hilti Entwicklungsgesellschaft mbH | Zulassung Geräte | Hiltistraße 6 | 86916 Kaufering, DE



## 2 안전

### 2.1 안전상의 주의사항

#### 2.1.1 전동 공구에 대한 일반적인 안전상의 주의사항

**⚠ 경고!** 모든 안전상의 주의사항과 지침을 읽으십시오. 안전상의 주의사항과 지침을 준수하지 않을 경우, 화재 위험이 있으며 감전 그리고/또는 중상을 입을 수 있습니다.

앞으로 모든 안전상 주의사항과 지침을 보관하십시오.

#### 작업장 안전수칙

- ▶ 작업장을 항상 깨끗이 하고 조명이 잘 들도록 하십시오. 어수선한 작업환경 또는 어두운 작업장은 사고를 초래할 수 있습니다.
- ▶ 인화성 액체, 가스 또는 먼지가 있어 폭발 위험이 있는 환경에서는 전동 공구를 사용하지 마십시오. 전동 공구는 먼지나 증기를 점화시킬 수 있는 스파크를 일으킵니다.
- ▶ 전동 공구를 사용할 때, 어린이들이나 다른 사람들이 작업장에 접근하지 못하도록 하십시오. 다른 사람의 방해로 인해 기기를 통제하기 어렵습니다.

#### 전기에 관한 안전수칙

- ▶ 파이프, 히터, 전기레인지, 냉장고와 같은 접지 표면에 신체 접촉을 피하십시오.. 신체에 닿을 경우 감전될 위험이 높습니다.
- ▶ 전동 공구가 비에 맞지 않도록 하고 습한 장소에 두지 마십시오. 전동 공구에 물이 들어가면 감전될 위험이 높습니다.

#### 사용자 안전수칙

- ▶ 신중하게 작업하십시오. 작업에 정신을 집중하고 전동공구를 사용할 때 경솔하게 행동하지 마십시오. 피곤하거나 항정신성 약물, 술 또는 약물 복용 시에는 전동공구를 사용하지 마십시오. 전동공구 사용 시에 유의하지 않을 경우 심각한 부상을 초래할 수 있습니다.
- ▶ 안전 장비를 갖추고 보안을 착용하십시오. 전동 공구의 종류와 사용에 따라, 먼지 보호 마스크, 미끄럼 방지용 안전 신발, 안전모 또는 귀마개 등과 같은 안전한 보호장비를 착용하면 부상의 위험을 줄일 수 있습니다.
- ▶ 실수로 기기가 작동하지 않도록 주의하십시오. 전동공구를 배터리에 연결하거나 설치 또는 운반하는 경우, 전동공구의 전원이 꺼져 있는지 확인하십시오. 전동공구 운반 시 스위치에 손가락을 대거나 스위치가 켜진 상태에서 전원을 연결하면 사고를 유발할 수 있습니다.
- ▶ 전동 공구의 스위치를 켜기 전, 조정공구 또는 렌치를 제거하십시오. 기기 회전부에 남아있는 공구나 렌치로 인해 부상을 입을 수 있습니다.
- ▶ 작업 시 비정상적인 자세는 피하십시오. 안전한 작업자세가 되도록 하고, 항상 균형을 유지하십시오. 이렇게 하여 예기치 않은 상황에서도 전동 공구를 잘 제어할 수 있습니다.
- ▶ 적합한 작업복을 착용하십시오. 헐렁한 복장이나 장식품을 착용하지 마십시오. 작동하는 기기 가동 부위에 머리, 옷 그리고 장갑이 가까이 닿지 않도록 주의하십시오. 헐렁한 복장, 장식품 혹은 긴 머리가 가동 부위에 말려 들어갈 수 있습니다.
- ▶ 먼지 제거장치나 수거장치를 설치할 수 있는 기기의 경우, 이 장치들이 연결되어 있는지 그리고 제대로 작동되는지를 확인하십시오. 먼지 포집장치 사용은 먼지로 인한 위험을 줄여줄 수 있습니다.

#### 전동 공구의 취급과 사용

- ▶ 기기에 과부하가 걸리지 않도록 하십시오. 귀하의 작업에 적합한 전동 공구를 사용하십시오. 적합한 전동 공구를 사용하면, 지정된 성능 한도 내에서 더 효율적으로 안전하게 작업할 수 있습니다.
- ▶ 스위치가 고장난 전동 공구는 사용하지 마십시오. 스위치가 작동되지 않는 전동 공구는 위험하므로, 반드시 수리를 해야 합니다.
- ▶ 기기를 설정하거나 부품을 교환하거나 기기를 치우기 전에 배터리를 제거하십시오. 이러한 조치는 실수로 전동공구가 작동하지 않도록 방지합니다.
- ▶ 사용하지 않는 전동공구는 어린이들의 손이 닿지 않는 곳에 보관하십시오. 기기 사용에 익숙치 않거나 또는 이 안전수칙을 읽지 않은 사람이 기기를 사용해서는 안됩니다. 비숙련자가 전동공구를 사용하면 위험합니다.
- ▶ 전동공구를 조심스럽게 관리하십시오. 기기의 가동 부위가 완벽하게 작동하는지, 끼어 있지 않은지, 혹은 부품이 손상되거나 파손되어 있어 전동공구의 기능을 저하시키지 않는지 점검하십시오. 기기 사용 전 손상된 부품을 수리하도록 하십시오. 제대로 관리되지 않은 전동공구는 많은 사고를 유발합니다.
- ▶ 절단기기는 날카롭고 깨끗하게 관리하십시오. 날카로운 절단면이 있고 잘 관리된 절단기기는 끼이는 경우가 드물고 조절하기도 쉽습니다.
- ▶ 본 지침에 따라 전동 공구, 액세서리, 공구 비트 등을 사용하십시오. 이 때 작업 조건과 실시하려는 작업 내용을 고려하십시오. 원래 사용 분야가 아닌 다른 작업에 전동 공구를 사용할 경우, 위험한 상황을 초래할 수 있습니다.



### 배터리 공구의 취급과 사용

- ▶ 제조사가 권장한 충전기에만 배터리를 충전시키십시오. 특정한 형식의 배터리를 사용하도록 규정되어 있는 충전기에 다른 배터리를 사용할 경우 화재 발생의 위험이 있습니다.
- ▶ 전동 공구에 적합하게 규정된 배터리만 사용하십시오. 다른 배터리를 사용하면 부상을 입을 수 있고, 화재가 발생할 수 있습니다.
- ▶ 배터리를 사용하지 않을 경우 클립, 동전, 키, 못, 나사 또는 다른 소형 금속 물질로부터 사용하지 않는 배터리를 멀리 떨어뜨려 놓아주십시오. 배터리 간 단락으로 인한 연소 또는 화재를 초래할 수 있습니다.
- ▶ 잘못 사용할 경우, 배터리로부터 전해액이 흘러나올 수 있습니다. 전해액을 직접 만지지 마십시오. 배터리로부터 흘러나온 전해액은 피부를 손상시킬 수 있으며, 화재를 발생시킬 수 있습니다. 의도치 않게 닿은 경우 물로 씻어내십시오. 이 용액이 눈에 들어간 경우, 의사의 도움을 받아 추가적 조치를 취하십시오.

### 서비스

- ▶ 전동 공구는 반드시 자격을 갖춘 전문 기술자에 의해 그리고 순정 대체부품만 이용하여 수리해야 합니다. 이렇게 하여 전동 공구의 안전성을 계속해서 유지할 수 있습니다.

### 2.1.2 연삭, 사포 연삭, 와이어 브러시를 사용한 작업, 폴리싱 및 연삭 절단을 위한 일반 안전상의 주의사항:

- ▶ 이 전동 공구는 그라인더와 절단 그라인더로 사용할 수 있습니다. 기기와 함께 공급되는 모든 안전상의 주의사항, 지침, 그림 및 기술자료에 유의하십시오. 다음 지침에 유의하지 않을 경우, 전기 쇼크, 화재 및 심각한 부상을 입을 수 있습니다.
- ▶ 이 전동 공구는 사포 연삭, 와이어 브러시를 이용한 작업 및 폴리싱에는 적합하지 않습니다. 전동 공구에 적합하지 않은 사용은 위험하며, 부상을 초래할 수 있습니다.
- ▶ 이 전동 공구에 제조사가 특별히 규정하지 않았거나 권장하지 않은 액세서리를 사용하지 마십시오. 액세서리는 전동 공구에 고정된 가능하기 때문에 안전한 사용은 보장되지 않습니다.
- ▶ 공구 비트의 허용 회전속도는 최소한 전동 공구에 제시된 최고 회전속도를 넘어서는 안 됩니다. 허용 범위 보다 빠르게 회전하는 액세서리는 파손되거나 분리될 수 있습니다.
- ▶ 공구 비트의 외경과 두께는 전동 공구의 치수 제한에 부합해야 합니다. 제한에 맞지 않는 공구 비트는 충분히 차폐, 제어할 수 없습니다.
- ▶ 나사부가 있는 공구 비트는 연삭 스피들의 나사부와 정확히 일치해야 합니다. 플랜지를 이용하여 장착되는 공구 비트의 경우, 공구 비트 구멍의 지경이 플랜지의 조립 직경과 일치해야 합니다. 전동 공구에 정확하게 고정되지 않은 공구 비트는 불규칙하게 회전하고 아주 강하게 진동하므로 사용자가 조절력을 상실할 수 있습니다.
- ▶ 손상된 공구 비트를 사용하지 마십시오. 매번 사용하기 전에, 그라인딩 디스크와 같은 공구 비트를 파손 및 균열에 대해, 그라인딩 플레이트를 균열, 마모 및 심한 마모에 대해, 와이어 브러시를 풀림 또는 와이어 파손에 대해 점검하십시오. 전동 공구 또는 공구 비트를 떨어뜨린 경우, 손상되었는지 점검하고 손상되지 않은 공구 비트를 사용하십시오. 공구 비트를 점검하고 설치할 경우, 작업자와 그 주변 사람들이 회전하고 있는 공구 비트에서 떨어지도록 한 뒤 기기를 1분 동안 최고 회전속도로 작동시키십시오. 손상된 공구 비트는 대부분 테스트 시간 동안 부러집니다.
- ▶ 개인 보호장비를 착용하십시오. 기기를 사용할 때마다 완벽한 안전 보호장비 또는 보안경을 착용하십시오. 먼지 보호 마스크, 귀마개, 보호장갑 또는 특수 보호복 착용은 연삭 및 자재 미립자로부터 사용자를 보호합니다. 작업 시 발생하는 이물질이 눈에 들어가지 않도록 하십시오. 먼지를 발생시키는 작업 시 방진 마스크 또는 보호 마스크를 반드시 착용해야 합니다. 장시간 심한 소음에 노출될 경우 청각을 상실할 수 있습니다.
- ▶ 다른 사람이 작업장에서 안전한 거리를 확보하고 있는지 유의하십시오. 작업장에 있는 모든 사람은 개인 보호장비를 착용해야 합니다. 공작물의 부품 파편 또는 파손된 공구 비트가 멀리까지 날아갈 수 있으므로 직접 작업장에 있지 않아도 부상을 입을 수 있습니다.
- ▶ 숨겨진 전선에 공구 비트가 닿게 되는 작업을 실행할 경우, 항상 기기의 절연된 손잡이 부분을 잡으십시오. 전류가 흐르는 전선과 접촉하면 전동 공구의 금속 부위를 통해 감전이 될 수도 있습니다.
- ▶ 전원 케이블을 회전하는 공구 비트로부터 멀리 두십시오. 기기에 대한 조절력을 상실할 경우, 전원 케이블이 분리되거나 손이나 팔이 회전하는 공구 비트에 들어갈 수 있습니다.
- ▶ 절단 공구 비트가 완전히 정지하기 전에 전동 공구를 내려놓지 마십시오. 회전하는 공구 비트가 표면에 닿으며 전동 공구의 조절력을 상실할 수 있습니다.
- ▶ 전동 공구를 운반하는 동안 작동시키지 않도록 하십시오. 의도하지 않게 옷이 회전하는 공구 비트에 말려 들어가, 이로 인해 신체에 부상을 입을 수 있습니다.
- ▶ 전동 공구의 환기 슬롯을 정기적으로 청소하십시오. 모터 블로어가 먼지를 하우징으로 끌어당기고 금속 먼지가 많이 축적되면 전기적 위험이 발생할 수 있습니다.
- ▶ 가연성 자재 근처에서 전동 공구를 사용하지 마십시오. 스파크로 인해 가연성 물질이 연소될 수 있습니다.
- ▶ 액상 냉각제를 필요로 하는 공구 비트를 사용하지 마십시오. 물 또는 기타 액상 냉각제를 사용하면 전기 쇼크를 일으킬 수 있습니다.





### 반동 현상과 안전상의 주의사항

반동 현상은 공구 비트(그라인딩 디스크, 그라인딩 플레이트, 와이어 브러시 등)가 회전하면서 끼이거나 막힘으로 인해 발생하는 갑작스러운 반동으로, 회전하는 공구 비트가 갑자기 멈추게 됩니다. 이로 인해 제어되지 않은 전동 공구가 공구 비트의 회전반대방향으로 가속됩니다.

예를 들어 그라인딩 디스크가 금속 제품에 끼이거나 블로킹 될 경우, 금속 제품에 그라인딩 디스크가 걸려 디스크가 손상되거나 반동을 유발합니다. 그라인딩 디스크는 블로킹 위치에서 디스크의 작동 방향에 따라 사용자에 있는 방향 또는 반대방향으로 움직이게 됩니다. 이때 그라인딩 디스크가 파손될 수 있습니다.

반동은 전동 공구의 잘못된 또는 결함이 있는 사용으로 인해 발생합니다. 반동 현상은 다음에서 설명하는 것과 같은 적절한 예방책을 통해 예방할 수 있습니다.

- ▶ 전동 공구를 확실하게 고정시키고 신체와 팔을 기기의 반동력을 억제할 수 있는 위치에 놓으십시오. 기기 작동시 반동력 또는 반동 토크에 대항하여 가능한 한 기기를 통제할 수 있도록, 보조 손잡이가 장착되어 있을 경우 항상 이를 사용하십시오. 작업자는 적합한 예방 대책으로 반동력과 반응력을 통제할 수 있어야 합니다.
- ▶ 절대로 회전하는 공구 비트에 손을 가까이 하지 마십시오. 반동 시 공구 비트가 작업자의 손 위로 될 수 있습니다.
- ▶ 반동 시 전동 공구가 작동하는 영역에 가까이 접근하지 않도록 하십시오. 반동으로 인해 전동 공구는 고정된 위치에서 그라인딩 디스크의 운동 방향과는 반대 방향으로 튀게 됩니다.
- ▶ 구석, 날카로운 모서리 등에서 작업할 때 특히 주의하십시오. 공구 비트가 공작물로부터 되튀거나 끼이지 않도록 하십시오. 회전하는 공구 비트는 구석, 날카로운 모서리에서 기울어지거나 튀어오를 경우, 끼여 움직이지 않게 되기 쉽습니다. 이와 같은 현상이 통제력 상실 또는 반동의 원인이 됩니다.
- ▶ 체인 톱날 또는 치형 톱날을 사용하지 마십시오. 이러한 공구 비트는 자주 반동을 일으키거나 또는 전동 공구에 대한 통제력을 상실하는 원인이 될 수 있습니다.

### 연삭 및 연삭 절단에 대한 안전상의 주의사항:

- ▶ 전동 공구용으로 허용된 그라인딩 엘리먼트와 그라인딩 엘리먼트용으로 적합한 보호캡만 사용하십시오. 전동 공구용으로 규정되지 않은 그라인딩 엘리먼트는 충분히 차폐될 수 없으며 안전하지 않습니다.
- ▶ 직각으로 굽은 연삭수들은 연삭면이 보호캡의 가장자리에서 돌출되지 않도록 설치되어야 합니다. 보호캡의 가장자리에 돌출되어 부적절하게 설치된 연삭수들은 충분히 단열되지 않습니다.
- ▶ 보호캡은 가장 작은 그라인딩 엘리먼트가 사용자를 향하도록 전동 공구에 안전하게 설치되어야 합니다. 보호캡은 사용자를 파손 부품, 그라인딩 엘리먼트와의 접촉을 막고, 작업복을 불태울 수 있는 스파크로부터 보호합니다.
- ▶ 그라인딩 엘리먼트는 권장하는 용도로만 사용해야 합니다. 예: 어떠한 경우에도 커팅 디스크의 측면으로 그라인딩하지 마십시오. 커팅 디스크는 디스크의 모서리로 재료를 커팅하도록 규정되어 있습니다. 이 그라인딩 엘리먼트의 측면에 작용하는 힘은 그라인딩 엘리먼트를 파손시킬 수 있습니다.
- ▶ 선택한 그라인딩 디스크용으로 항상 정확한 크기와 형태의 손상되지 않은 고정 플랜지를 사용하십시오. 적합한 플랜지는 그라인딩 디스크를 보호하고 그라인딩 디스크 파손의 위험을 감소시킵니다. 커팅 디스크용 플랜지는 다른 그라인딩 디스크용 플랜지와 구분할 수 있습니다.
- ▶ 대형 전동 공구에서는 마모된 그라인딩 디스크를 사용하지 마십시오. 대형 전동 공구용 그라인딩 디스크는 소형 전동 공구의 고속용으로 설계되어 있지 않으며, 파손될 수 있습니다.

### 연삭 절단에 대한 기타 안전상의 주의사항:

- ▶ 커팅 디스크가 블로킹되거나 너무 깊게 압착력을 받지 않도록 하십시오. 과도하게 깊이 절단하지 마십시오. 커팅 디스크의 과부하로 인해 디스크의 부하 및 블로킹 또는 기울기에 대한 민감도가 상승하여 반동되거나 그라인딩 엘리먼트가 파손될 수 있습니다.
- ▶ 회전하는 커팅 디스크의 앞 또는 뒤 영역에 서 있지 마십시오. 공작물에서 커팅 디스크가 움직이면, 반동 시 회전하는 디스크와 함께 전동 공구가 바로 작업자쪽으로 미끄러질 수 있습니다.
- ▶ 커팅 디스크가 끼이거나 또는 작업이 중단될 경우, 기기를 차단하고 디스크가 정지할 때까지 그대로 두십시오. 여전히 작동하고 있는 커팅 디스크를 절단부에서 빼내려고 하지 마십시오. 반동이 일어날 수 있습니다. 여침 현상의 원인을 확인하고 제거하십시오.
- ▶ 전동 공구가 공작물 안에 있을 경우, 전동 공구를 다시 켜지 마십시오. 절단을 조심스럽게 계속 진행하기 전에 먼저 커팅 디스크가 완전한 회전속도에 도달하도록 하십시오. 그렇지 않을 경우 디스크가 인터록되고 공작물로부터 튀어오르거나 또는 반동이 일어날 수 있습니다.
- ▶ 커팅 디스크의 끼임에 의한 반동의 위험을 최소화하기 위해 패널 또는 대형 공작물을 지지하십시오. 대형 공작물은 자체 중량으로 인해 휘어질 수 있습니다. 디스크 양쪽, 즉 절단부 근처와 가장자리 쪽에서 공작물을 지지해줘야 합니다.
- ▶ 기존 벽이나 그 외 보이지 않는 영역에서 "삽입 절단" 시에 특히 주의를 기울이십시오. 삽입식 커팅 디스크는 가스 라인 또는 워터 라인, 전기 배선 또는 다른 물체에서 절단 시 반동의 원인이 될 수 있습니다.

### 2.1.3 그 외의 안전상의 주의사항

#### 사용자 안전수칙

- ▶ 기술적 하자가 없는 상태에서만 제품을 사용하십시오.
- ▶ 어떠한 경우에도 기기를 변조 또는 개조하지 마십시오.



- ▶ 회전하는 부품에 접촉하지 않도록 하십시오. - 부상 위험!
- ▶ 공구 교체 시에도 보호장갑을 착용하십시오. 공구 비트에 닿으면 부상을 입거나 화상을 당할 수 있습니다.
- ▶ 작업을 시작하기 전, 작업 시 발생하는 먼지의 위험 등급을 알아보십시오. 해당 국가의 먼지 방지 규정에 적합하며, 공식적으로 허용된 보호 등급의 산업용 진공 청소기만을 사용하십시오. 납이 함유된 도료, 일부 목재, 콘크리트/조적벽돌/수정을 함유한 암석 및 금속과 같은 광물질로부터 나오는 먼지는 건강에 해로울 수 있습니다.
- ▶ 작업장을 잘 환기시키고 먼지의 종류에 따라 필요 시 보호마스크를 착용하십시오. 먼지를 흡입하거나 만질 경우, 사용자 또는 근처에 있는 사람에게 기관지 질환이나 알레르기 반응이 나타날 수 있습니다. 딱딱하거나 무 입자 또는 너도밤나무 입자와 같은 특정 종류의 먼지는, 특히 목재 처리용으로 사용하는 첨가제(크롬산염, 목재 부식 방지제)와 결합하여 암을 일으킬 수 있습니다. 석면 물질은 전문가에서만 다룰 수 있습니다.
- ▶ 손가락의 혈액순환이 잘 되도록 휴식시간 동안 손가락 운동을 하십시오. 장시간 작업할 경우 진동으로 인해 손가락, 손 또는 손목의 혈관이나 신경 체계에 문제가 생길 수 있습니다.

#### 전기에 관한 안전수칙

- ▶ 작업을 시작하기 전에, 작업장에서 가려져 있거나 덮혀 있는 전기 배선, 가스 파이프 그리고 하수도관이 있는지를 점검하십시오. 실수로 전기 케이블을 손상시킨 경우, 기기 바깥쪽에 있는 금속 부품에서 전기 쇼크를 일으킬 수 있습니다.

#### 진동 공구의 올바른 사용방법과 취급방법

- ▶ 황삭 작업을 위해 커팅 디스크를 사용하지 마십시오.
- ▶ 공구 비트와 플랜지를 단단하게 조이십시오. 공구 비트와 플랜지를 단단하게 조이지 않을 경우, 스위치를 끄면 기기가 멈추면서 기기 모터로 인해 공구 비트가 스프링들로부터 풀릴 수 있습니다.
- ▶ 제조사에서 제공한 그라인딩 디스크 취급 및 보관 관련 지침에 유의하십시오.

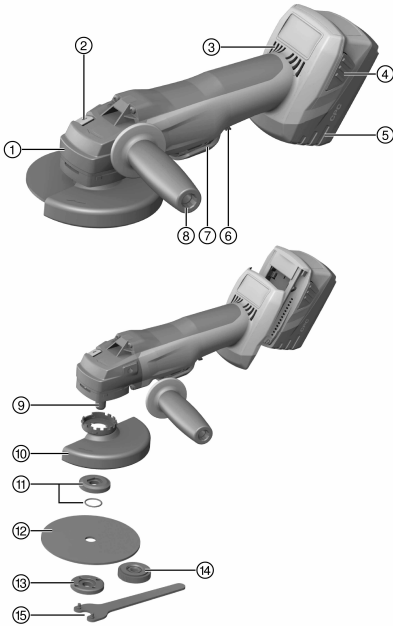
#### 2.1.4 배터리의 올바른 사용방법과 취급방법

- ▶ 리튬 이온 배터리의 운반, 보관 및 사용에 대한 특수 지침에 유의하십시오.
- ▶ 배터리를 고열, 직사광선 및 화염 근처에 두지 마십시오.
- ▶ 배터리를 분해하거나 강한 압력 또는 80°C 이상의 열을 가하거나 연소시켜서는 안 됩니다.
- ▶ 충격을 받은 적이 있거나, 1미터가 넘는 높이에서 떨어진 적이 있거나 혹은 다른 방식으로 손상된 배터리는 절대 사용하거나 충전하지 마십시오. 이러한 경우 항상 Hilti 서비스 센터로 문의해 주시기 바랍니다.
- ▶ 배터리를 잡기에 너무 뜨거운 경우에는 고장일 수 있습니다. 가연성 소재와 충분한 간격을 유지하면서, 관찰이 가능한 비연소 장소에 제품을 설치하고 제품을 냉각시키십시오. 이러한 경우 항상 Hilti 서비스 센터로 문의해 주시기 바랍니다.



### 3 제품 설명

#### 3.1 제품 개요



- ① 캡 잠금해제 버튼
- ② 스피들 잠금버튼
- ③ 환기 슬롯
- ④ 충전 상태 표시 활성화 추가 기능을 갖춘 잠금 해제 버튼
- ⑤ 배터리
- ⑥ 스위치ON로크
- ⑦ ON/OFF 스위치
- ⑧ 진동감쇠식 측면 손잡이
- ⑨ 스피들
- ⑩ 표준 보호캡
- ⑪ O-링 고정 플랜지
- ⑫ 커팅 디스크 / 보강 슛돌
- ⑬ 클램핑 너트
- ⑭ 킥 릴리스 너트 **Kwik lock** (옵션)
- ⑮ 렌치

#### 3.2 규정에 맞는 사용

기술된 제품은 배터리 구동식 소형 앵글 그라인더입니다. 본 그라인더는 물을 사용하지 않고 금속성 및 광물성 재료의 연삭 절단과 황삭 가공 및 타일 드릴 작업에 사용됩니다. 건식 연마/절단 작업 용도로만 사용해야 합니다.

- 광물성 재료의 연삭 절단, 홈 가공 및 황삭 가공은 해당되는 보호캡(옵션으로 구매 가능)을 사용할 경우에만 작업이 허용됩니다.
- 콘크리트 또는 암석과 같은 광물성 모재를 가공하는 작업을 할 때 적합한 **Hilti** 먼지 흡입기에 맞는 먼지 분리기를 사용해야 합니다.
- ▶ 본 제품에는 모델시리즈 B 22의 **Hilti** 리튬 이온 배터리만 사용하십시오.
- ▶ 이 배터리에는 **Hilti** 충전기 C4/36 시리즈만 사용하십시오.

#### 3.3 공급품목

앵글 그라인더, 측면 손잡이, 표준 보호캡, 전면 커버, 고정 플랜지, 클램핑 너트, 후크 렌치, 사용 설명서. 해당 제품에 허용되는 기타 시스템 제품은 **Hilti Store** 또는 다음 사이트에서 확인할 수 있습니다.  
[www.hilti.group](http://www.hilti.group)

#### 3.4 온도의존성 기기보호장치

온도의존성 엔진보호장치는 전력소비 및 엔진가열을 감시하고 기기 과열을 방지합니다. 과도한 압착력에 의한 모터 과부하시 기기의 성능이 눈에 띄게 약화되거나 기기가 정지할 수 있습니다. 과부하로 인해 정지 상태 혹은 속도 감소가 발생할 경우, 부하를 제거하고 기기를 약 30초 동안 공회전속도로 작동시키십시오.

#### 3.5 전면 커버가 장착된 보호캡

금속물질 작업 시 보강 슛돌을 이용한 황삭 가공 및 커팅 디스크의 연삭 절단을 위해 전면 커버를 장착된 표준 보호캡만 사용하십시오.



### 3.6 먼지 분리기(절단) DC-EX 125/5°C 소형캡(액세서리)

광물성 모재를 다이아몬드 절삭 연삭 디스크를 이용하여 연삭 절단하려면 소형캡 DC-EX 125/5" C를 사용하십시오.

주의 이 캡으로 금속 작업을 하는 것은 금지됩니다.

### 3.7 먼지 분리기(연삭) DG-EX 125/5"(액세서리)

본 연삭 시스템은 다이아몬드 컵 휠로 광물성 모재를 연삭 가공하는 작업에만 적합합니다.

주의 이 캡으로 금속 작업을 하는 것은 금지됩니다.

### 3.8 리튬 이온 배터리의 충전 상태 디스플레이

리튬 이온 배터리의 충전 상태는 배터리 잠금해제 버튼 둘 중 하나를 누르면 표시됩니다.

상태	의미
4개 LED 점등됨.	충전 상태: 75 % ~ 100 %
3개 LED 점등됨.	충전 상태: 50 % ~ 75 %
2개 LED 점등됨.	충전 상태: 25 % ~ 50 %
1개 LED 점등됨.	충전 상태: 10 % ~ 25 %
1개 LED 깜박임.	충전 상태: < 10 %

작업을 하는 동안 그리고 작업을 끝낸 바로 직후에는 충전상태를 확인하는 것이 불가능합니다. 배터리 충전상태 표시 LED가 점멸할 경우, "고장 시 대책" 장의 지침에 유의하십시오.

## 4 소모품

회전속도 11000/min 이상 및 주변 속도 80 m/s 이상에 허용되는 합성수지 계열의 섬유 보강된 디스크만 최대 Ø 125 mm까지 사용할 수 있습니다.

디스크 두께는 보강 슛들에서 최대 6.4 mm 그리고 커팅 디스크에서 최대 3 mm이어야 합니다.

주의! 커팅 디스크를 이용하여 절단 및 홈 가공할 때 항상 추가 전면 커버가 장착된 표준 보호캡 또는 전체가 폐쇄된 먼지 분리기를 사용하십시오.

디스크

	용도	표시	모재
연마 커팅 디스크	연삭 절단, 홈	AC-D	금속성
다이아몬드 커팅 디스크	연삭 절단, 홈	DC-TP, DC-D (SPX, SP, P)	광물성
연마성 보강 슛들	황삭 가공	AG-D, AF-D, AN-D	금속성
다이아몬드 보강 슛들	황삭 가공	DG-CW (SPX, SP, P)	광물성
다이아몬드 코어비트	타일 드릴 작업	DD-M14	광물성

사용한 장비에 디스크 배정

위치	장비	AC-D	AG-D	AF-D	AN-D	DG-CW	DC-D	DD-M14
A	보호캡	X	X	X	X	X	X	X
B	상판(A와 결합)	X	—	—	—	—	X	—
C	먼지 분리기(연삭) DG-EX 125/5"	—	—	—	—	X	—	—
D	먼지 분리기(절단) DC-EX 125/5"-C(A와 결합)	—	—	—	—	—	X	—
E	측면 손잡이	X	X	X	X	X	X	X
F	보우핸들 DCBG 125(E에 대한 옵션)	X	X	X	X	X	X	X
G	클램핑 너트	X	X	X	X	X	X	—
H	고정 플랜지	X	X	X	X	X	X	—
I	<b>Kwik lock</b> (G에 대한 옵션)	X	X	X	X	—	X	—



## 5 기술 지원

	AG 125-A22
정격 전압	21.6V
회전 속도 측정기	9,500/min
최대 디스크 직경	125mm
<b>EPTA Procedure 01에 따른 무게(배터리 포함)B228.0</b>	3.3kg
구동 스피들 나사부	M14
스피들 길이	22mm

### 5.1 EN 60745에 따른 소음 정보 및 진동값

이 치함에 제시된 음압 및 진동수준은 표준화된 측정방법에 따라 측정된 것이며, 전동공구를 서로 비교하기 위한 용도로 사용할 수 있습니다. 음압 및 진동 수준은 노출 정도를 사전에 예측하는 데에도 유용하게 사용할 수 있도록 설계되어 있습니다. 제시된 데이터는 전동공구의 주된 용도를 나타냅니다. 그러나 전동공구를 다른 용도로 사용하거나 다른 공구 비트를 사용할 경우 또는 유지보수를 충분히 하지 않은 상태에서는 데이터에 편차가 있을 수 있습니다. 이러한 경우 전 작업시간에 걸쳐 노출이 현저하게 증가할 수 있습니다. 노출을 정확하게 평가하기 위해서는 기기 작동이 멈춰 있거나 또는 작동 중이지만 실제로는 사용하지 않는 시간도 고려해야 합니다. 이러한 경우 전 작업시간에 걸쳐 노출이 현저하게 감소할 수 있습니다. 사용자를 보호하기 위해 음파 그리고/또는 진동이 작용하기 전에 다음과 같은 추가적인 안전 조치를 취하십시오. 전동공구와 공구 비트의 유지보수, 손을 따뜻하게 유지, 작업순서 정하기 등.

#### 소음 정보

음압 수준 ( $L_{pA}$ )	83dB(A)
음압 수준 허용공차 ( $K_{pA}$ )	3dB(A)
소음 수준 ( $L_{WA}$ )	94dB(A)
소음 수준 허용공차 ( $K_{WA}$ )	3dB(A)

#### 진동 정보

절단 작업과 같은 다른 용도로 사용할 경우 진동값이 차이날 수 있습니다.

진동감쇠 손잡이로 표면 연삭 ( $a_{h,AG}$ )	3.8m/s <sup>2</sup>
허용공차 (K)	1.5m/s <sup>2</sup>

### 5.2 배터리

배터리 모드 전압	21.6V
작동 시 주변 온도	-17 °C ... 60 °C
보관 온도	-20 °C ... 40 °C
충전 시작 시 배터리 온도	-10 °C ... 45 °C

## 6 사용전 준비사항

### 6.1 배터리 사용

#### 주의

부상 위험. 앵글 그라인더가 의도하지 않게 작동됨으로 인한.

- ▶ 배터리를 끼우기 전에 앵글 그라인더의 스위치가 꺼져 있는지 그리고 스위치ON로크가 활성화되어 있는지 확인하십시오.

#### 주의

전기 위험. 접점이 오염된 경우 단락이 발생할 수 있습니다.

- ▶ 배터리를 삽입하기 전에 배터리 접점과 앵글 그라인더 내의 접점에 이물질이 없는지 확인하십시오.

#### 주의

부상 위험. 배터리를 제대로 끼우지 않은 경우, 배터리가 떨어질 수 있습니다.

- ▶ 배터리가 떨어지거나 다른 위험이 없도록 배터리가 기기에 제대로 안착되어 있는지 점검하십시오.



- ▶ 배터리를 끼우고 배터리가 기기에 정확하게 설치되어 있는지 점검하십시오.

## 6.2 배터리 분리

- ▶ 배터리를 분리하십시오.

## 6.3 측면 손잡이 조립

- ▶ 지정된 나사 부싱에 측면 손잡이를 조이십시오.

## 6.4 보호캡 장착 또는 탈거

### 주의

부상 위험. 공구 비트가 뜨겁거나 모서리가 날카로울 수 있습니다.

- ▶ 조립, 분리, 조정 작업 및 고장 제거 시 보호장갑을 착용하십시오.

- ▶ 보호캡에 관한 조립설명서 내용에 유의하십시오.

### 6.4.1 보호캡 장착

보호캡의 코딩키는 기기에 맞는 보호캡만 장착되도록 합니다. 보호캡과 코딩키는 기기의 보호캡 마운트에 장착되어 있습니다.

1. 보호캡과 기기의 양쪽 삼각형 표시가 서로 마주보도록 보호캡을 스프indel넥 위에 끼우십시오.
2. 보호캡을 스프indel넥 위에 대고 누르십시오.
3. 캡 잠금해제 버튼을 누르십시오.
4. 보호캡이 끼워지고 캡 잠금해제 버튼이 다시 튀어나올 때까지 보호캡을 돌리십시오.

### 6.4.2 보호캡 조정

- ▶ 캡 잠금해제 버튼을 누르고 보호캡이 끼워질 때까지 원하는 위치로 돌리십시오.

### 6.4.3 보호캡 탈거

1. 캡 잠금해제 버튼을 누르고 보호캡 및 기기에 두 개의 삼각형 표시가 서로 마주볼 때까지 보호캡을 돌리십시오.
2. 보호캡을 분리하십시오.

## 6.5 전면 커버 장착 또는 탈거

전면 커버를 가지고 작업할 경우, 전면 커버가 보호캡에 끼워집니다.

1. 잠금장치가 맞물려 끼워질 때까지 전면 커버의 닫힌 면을 표준 보호캡에 끼우십시오.
2. 탈거하려면 전면 커버의 잠금장치를 열고 표준 보호캡에서 이를 분리하십시오.

## 6.6 먼지 분리기(절단) DC-EX 125/5°C 위치 설정

- ▶ 소형캡을 언제든지 자유롭게 접근할 수 있고 조작할 수 있도록 설치하십시오.

## 6.7 공구 비트 장착 또는 탈거

### 주의

부상 위험. 공구 비트가 뜨거워질 수 있습니다.

- ▶ 공구 비트 교체 시 보호장갑을 착용하십시오.

다이아몬드 디스크는 절단 및 연삭 성능이 현저히 떨어지면 즉시 교체해야 합니다. 이는 일반적으로 다이아몬드 세그먼트의 높이가 2 mm 보다 낮을 경우에 해당됩니다.

절단 기능이 현저히 떨어지거나 또는 작업하는 동안 앵글 그라인더 부품(디스크 제외)이 작업 소재와 접촉하는 경우 바로 디스크 타입을 교체해야 합니다.

연마 디스크는 유효기간이 만료되면 교환해야 합니다.



### 6.7.1 공구 비트 장착

1. 배터리를 분리하십시오. → 페이지 200
2. 고정 플랜지에 O-링이 존재하는지 그리고 손상되지 않았는지 점검하십시오.  
결과  
O-링이 손상되었습니다.  
고정 플랜지에 O-링이 없습니다.  
▶ O-링이 있는 새 고정 플랜지를 사용하십시오.
3. 고정 플랜지를 스피들이 움직이지 않도록 정확하게 끼우십시오.
4. 공구 비트를 끼우십시오.

#### 경고

부상 위험. 공구 모터에 제동을 걸 때 공구 비트가 풀릴 수 있습니다.

- ▶ 공구 비트 또는 클램핑 너트를 잡기 전에 공구 비트가 정지할 때까지 기다리십시오.
  - ▶ 공구 비트 및 고정 플랜지를 클램핑 너트와 함께 단단히 조여서 공구 모터에 제동을 걸 때 스피들에서 부품이 풀리지 않도록 하십시오.
- 
5. 클램핑 너트를 사용된 공구 비트에 맞춰서 조이십시오.
  6. 스피들 잠금 버튼을 누른 다음, 그대로 누르고 계십시오.
  7. 후크 렌치를 이용하여 클램핑 너트를 조인 다음, 이어서 스피들 잠금 버튼에서 손을 떼고 클램핑 너트를 제거하십시오.

### 6.7.2 공구 비트 분리

1. 배터리를 분리하십시오. → 페이지 200

#### 주의

파열 위험 및 파손 위험. 스피들이 돌아가는 동안 스피들 잠금버튼이 눌리면, 공구 비트가 풀릴 수 있습니다.

- ▶ 스피들 잠금버튼은 스피들이 정지된 상태에서만 누르십시오.
- 
2. 스피들 잠금 버튼을 누른 다음, 그대로 누르고 계십시오.
  3. 후크 렌치를 끼우고 시계 방향으로 돌려 클램핑 너트를 푸십시오.
  4. 스피들 잠금버튼에서 손을 떼고 공구 비트를 분리하십시오.

### 6.7.3 퀵 릴리스 너트 **Kwik lock**를 이용한 공구 비트의 장착

#### 주의

파손 위험. 과도한 마모로 인해 퀵 릴리스 너트(**Kwik lock**)가 부러질 수 있습니다.

- ▶ 작업 중 퀵 릴리스 너트(**Kwik lock**)가 모재와 접촉하지 않도록 유의하십시오.
  - ▶ 손상된 퀵 릴리스 너트 **Kwik lock**를 사용하지 마십시오.
- 



클램핑 너트 대신에 퀵 릴리스 너트 **Kwik lock**를 사용할 수 있습니다. 이렇게 하면 공구 비트를 보조 공구 없이 교환할 수 있습니다.

1. 배터리를 분리하십시오. → 페이지 200
2. 고정 플랜지와 퀵 릴리스 너트를 깨끗이 하십시오.
3. 고정 플랜지를 스피들에 끼우십시오.
4. 공구 비트를 끼우십시오.
5. 공구 비트에 안착될 때까지 퀵 릴리스 너트 **Kwik lock**를 볼트로 체결하십시오.  
▶ 볼트로 체결한 상태에서 문자 표시 **Kwik lock**가 보입니다.
6. 스피들 잠금 버튼을 누른 다음, 그대로 누르고 계십시오.
7. 퀵 릴리스 너트 **Kwik lock**가 단단히 조여질 때까지 공구 비트를 손으로 시계방향으로 힘차게 돌린 후 스피들 잠금버튼에서 손을 떼십시오.

### 6.7.4 퀵 릴리스 너트 **Kwik lock**를 이용한 공구 비트의 탈거

1. 배터리를 분리하십시오. → 페이지 200

#### 주의

파열 위험 및 파손 위험. 스피들이 돌아가는 동안 스피들 잠금버튼이 눌리면, 공구 비트가 풀릴 수 있습니다.

- ▶ 스피들 잠금버튼은 스피들이 정지된 상태에서만 누르십시오.
- 
2. 스피들 잠금 버튼을 누른 다음, 그대로 누르고 계십시오.



3. 퀵 릴리스 너트를 손으로 시계 반대 방향으로 돌려 퀵 릴리스 너트 **Kwik lock**를 푸십시오.
4. 퀵 릴리스 너트 **Kwik lock**가 손으로 풀리지 않으면, 퀵 릴리스 너트에 후크 렌치를 설치하여 시계 반대 방향으로 돌려하십시오.



퀵 릴리스 너트 **Kwik lock**가 손상되지 않도록 절대 파이프 렌치를 사용하지 마십시오.

5. 스피들 잠금버튼에서 손을 떼고 공구 비트를 분리하십시오.

### 6.7.5 코어비트 설치

1. 배터리를 분리하십시오. → 페이지 200
2. 측면 손잡이를 장착하십시오. → 페이지 200
3. 보호캡을 장착하십시오. → 페이지 200
4. 코어비트를 설치한 다음, 이를 단단히 조이십시오.
5. 스피들 잠금 버튼을 누른 다음, 그대로 누르고 계십시오.
6. 적합한 스패너를 이용하여 코어비트를 조이십시오.
7. 이후 스피들 잠금 버튼에서 손을 떼고 스패너를 제거하십시오.

## 7 조작

### 7.1 연삭



#### 주의

부상 위험. 공구 비트가 갑자기 막히거나 걸릴 수 있습니다.

- ▶ 항상 측면 손잡이(보우핸들 옵션)를 이용하여 공구를 사용하고, 공구를 양손으로 움직이지 않게 잡으십시오.

### 7.2 연삭 절단

- ▶ 연삭 절단 시에 적절한 이송 속도로 작업하고 기기 또는 커팅 디스크를 기울이지 마십시오(작업 위치는 절단면 기준 대략 90°).



최소형의 단면부에서 커팅 디스크를 설치하면, 측면부와 사각 파이프를 최상의 결과로 절단하게 됩니다.

### 7.3 황삭 가공



#### 주의

부상 위험. 커팅 디스크가 파열되어 분리된 부품으로 인해 부상을 입을 수 있습니다.

- ▶ 절대로 황삭 작업을 위해 커팅 디스크를 사용하지 마십시오.
- ▶ 기기를 진입 각도 5° ~ 30°로 적절한 압력을 가해 앞뒤/좌우로 이동시키십시오.
  - ▶ 작업물이 과열 및 변색되지 않으며 금이 생기지 않음.

### 7.4 스위치ON로크 기능이 있는 ON/OFF 스위치에서 켜기



ON/OFF 스위치와 스위치ON로크 기능을 통해 스위치 기능을 점검하여 기기가 의도하지 않게 작동하는 것을 방지할 수 있습니다.

1. 스위치ON로크 버튼을 앞쪽으로 미십시오.
  - ▶ ON/OFF 스위치가 잠깁니다.
2. ON/OFF 스위치를 끝까지 누르십시오.
  - ▶ 공구 모터가 공회전 속도로 작동됨.

### 7.5 스위치ON로크 기능이 있는 ON/OFF 스위치에서 끄기

- ▶ 전원 ON/OFF 버튼에서 손을 떼십시오.
  - ▶ 스위치ON로크 기능은 자동으로 로크 위치로 바뀜.





## 8 관리 및 유지보수

### 경고

배터리가 끼워진 상태에서 부상 위험!

- ▶ 관리 및 수리 작업을 진행하기 전에 항상 배터리를 제거하십시오!

### 기기 관리

- 공구에 부착된 오염물질을 조심스럽게 제거하십시오.
- 마른 솔로 환기 홀을 조심스럽게 청소하십시오.
- 하우징은 약간 물을 적신 천으로만 닦으십시오. 플라스틱 부품을 손상시킬 수 있으므로 절대로 실리콘이 함유된 보호제를 사용하지 마십시오.

### 리튬 이온 배터리 관리

- 배터리를 오일 및 그리스가 묻지 않도록 깨끗하게 유지하십시오.
- 하우징은 약간 물을 적신 천으로만 닦으십시오. 플라스틱 부품을 손상시킬 수 있으므로 절대로 실리콘이 함유된 보호제를 사용하지 마십시오.
- 습기가 스며들지 않도록 주의하십시오.

### 유지보수

- 눈에 보이는 모든 부품은 정기적으로 손상 여부를 점검하고 조작 요소가 아무 문제 없이 작동하는지 점검하십시오.
- 손상되었거나 기능 장애가 있는 경우에는 제품을 작동하지 마십시오. 바로 Hilti 서비스 센터에서 수리받으십시오.
- 관리 및 수리 작업 후 모든 보호장치를 가져와 기능을 점검하십시오.



안전하게 작동하기 위해서는 순정품 예비 부품 및 소모품만 사용하십시오. 해당 제품에 허용되는 예비 부품, 소모품 및 액세서리는 **Hilti Store** 또는 에서 확인할 수 있습니다. [www.hilti.group](http://www.hilti.group).

## 9 배터리 기기 운반 및 보관

### 운반

### 주의

운반 시 돌발적으로 작동됨!

- ▶ 제품은 항상 배터리를 장착하지 않은 상태로 운반하십시오!
- ▶ 배터리를 분리하십시오.
- ▶ 배터리를 포장하지 않은 채로 운반해서는 절대 안 됩니다.
- ▶ 기기 및 배터리를 장시간 운반한 후에는 사용하기 전에 손상 여부를 점검하십시오.

### 보관

### 주의

배터리 결함 또는 방전으로 인한 돌발적인 손상!

- ▶ 제품은 항상 배터리를 장착하지 않은 상태로 보관하십시오!
- ▶ 기기 및 배터리는 최대한 시원하고 건조한 곳에서 보관하십시오.
- ▶ 배터리는 절대 직사광선이 들어오는 곳, 히터 위 또는 유리 뒤쪽에 보관하지 마십시오.
- ▶ 기기와 배터리는 어린이 및 허용되지 않는 사람의 손에 닿지 않도록 하십시오.
- ▶ 기기 및 배터리를 장시간 보관한 후에는 사용하기 전에 손상 여부를 점검하십시오.

## 10 문제 발생 시 도움받

본 도표에 제시되어 있지 않거나 스스로 해결할 수 없는 문제가 발생한 경우 Hilti 서비스 센터에 문의해 주십시오.

### 10.1 고장진단

장애	예상되는 원인	해결책
배터리가 평소보다 더 빨리 방전됨.	주변 온도가 너무 낮음.	▶ 실온에서 배터리를 서서히 따뜻하게 하십시오.



장애	예상되는 원인	해결책
배터리를 밀어 넣을 때 찰칵하는 소리가 들리지 않음.	배터리 래치 오염됨.	▶ 배터리 래치를 청소하고 배터리를 다시 끼우십시오.
1개 LED 깜박임. 기기가 작동하지 않음.	배터리가 방전되었음.	▶ 배터리를 교체하고 방전된 배터리를 충전하십시오.
	배터리 과열 또는 과냉.	▶ 실온에서 배터리를 서서히 따뜻하게 하거나 또는 냉각시키십시오.
4개 LED 모두 깜박임. 기기가 작동하지 않음.	기기가 과부하되었음.	▶ 컨트롤 스위치에서 손을 떼고 스위치를 다시 조작하십시오. 그리고 나서 기기를 공회전 속도에서 약 30 초간 작동시키십시오.
앵글 그라인더 또는 배터리에서 과도한 열 발생.	전기적 결합	▶ 즉시 기기를 끄고, 배터리를 분리하여 관찰한 후 냉각시키십시오. <b>Hilti</b> 서비스센터에 문의하십시오.
기기가 전출력으로 작동되지 않음.	사용한 배터리의 용량이 부족함.	▶ 충분한 용량을 갖춘 배터리를 사용하십시오.
모터의 제동 기능 없음.	배터리가 방전되었음.	▶ 배터리를 교체하고 방전된 배터리를 충전하십시오.
	공구가 잠시 과부하됨.	▶ 컨트롤 스위치에서 손을 떼고 스위치를 다시 조작하십시오.

## 11 폐기

**Hilti** 기기는 대부분 재활용이 가능한 소재로 제작되었습니다. 재활용을 위해 개별 부품을 분리하여 주십시오. **Hilti**는 대부분의 국가에서 재활용을 위해 노후기기를 수거해 갑니다. **Hilti** 고객 서비스 센터 또는 판매 상담자에게 문의하십시오.

### 배터리 폐기

배터리를 부적절하게 폐기함으로 인해 가스 또는 용액이 새어나와 건강상의 피해를 입을 수 있습니다.

- ▶ 손상된 배터리는 전달하지 마십시오!
- ▶ 비전도성 소재로 연결 단자를 막아 두어 단락이 발생하지 않게 하십시오.
- ▶ 배터리가 어린이의 손에 닿지 않도록 폐기하십시오.
- ▶ **Hilti Store**에서 배터리를 폐기하거나 또는 담당 폐기물 처리 업체에 문의하십시오.



- ▶ 전용 공구, 전작식 기기 및 배터리를 일반 가정 쓰레기로 폐기하지 마십시오!

## 12 RoHS (유해물질 사용 제한 지침)

아래 링크에서 유해물질에 관한 도표를 확인할 수 있습니다. [qr.hilti.com/r3958236](http://qr.hilti.com/r3958236).

RoHS 도표로 이어지는 링크는 본 문서 끝에 QR 코드 형식으로 제시되어 있습니다.

## 13 제조회사 보증

- ▶ 보증 조건에 관한 질문사항은 **Hilti** 파트너 지사에 문의하십시오.

# 原始操作說明

## 1 文件相關資訊

### 1.1 關於此文件

- 初次操作或使用前，請先詳讀此文件。本文件包含安全前提、疑難排解處理和產品使用。
- 請遵守本文件中與產品上的安全說明和警告。
- 操作說明應與產品一起保管，產品交予他人時必須連同操作說明一起轉交。



## 1.2 已使用的符號說明

### 1.2.1 警告

警告使用本產品的人員可能發生之危險。採用了以下標示文字：



**危險**

危險！

▶ 此標語警告會發生對人造成嚴重傷害甚至致死的危險情形。



**警告**

警告！

▶ 此標語警告會造成嚴重傷害甚至致死危險的潛在威脅。



**注意**

注意！

▶ 此標語警告可能會發生造成人員受傷，或造成設備及其他財產損壞之危險狀況。

### 1.2.2 文件中的符號

本文件中採用以下符號：



使用前請閱讀操作說明。



使用說明與其他資訊



處理可回收的材料



不可將電子設備與電池當作家庭廢棄物處置

### 1.2.3 圖解中的符號

圖解中採用了以下符號：



號碼對應操作說明的開始處的圖解

3

編號代表圖解中的操作步驟順序，可能與內文中的步驟有所不同



項目參考編號用於總覽圖解，並請參閱產品總覽章節中使用的編號



本符號是為了讓您在操作本產品時可以注意某些重點。

## 1.3 產品專屬符號

### 1.3.1 產品上的符號

產品上會採用下列符號：



穿戴護目鏡

n

額定速率

/min

每分轉數

RPM

每分轉數



直徑



直流電 (DC)



Li-Ion	鋰電池
	使用Hilti鋰電池類型系列。請遵守用途一節所提供之資訊。
	請勿將電池使用作為敲擊工具。
	避免電池掉落。不得使用遭受衝擊或其他原因遭成損壞的電池。
	機具支援近距離無線通訊 (NFC) 技術，其相容於iOS及Android平台。

#### 1.4 產品資訊

產品是針對專業使用者設計，故僅經訓練、認可的人員可操作、維修與維護本產品。必須告知上述人員關於可能遭遇到的特殊危險。若因未經訓練人員操作錯誤或未依照其原本的用途操作，則本產品和它的輔助工具設備有可能會發生危險。類型名稱和序號都標示於額定銘牌上。

▶ 在下方表格中填入序號。與Hilti維修中心或當地Hilti機關聯絡查詢產品相關事宜時，我們需要您提供產品詳細資訊。

##### 產品資訊

角磨機	AG 125-A22
產品代別	02
序號	

#### 1.5 符合聲明

基於我們唯一的責任，本公司在此聲明本產品符合適用的指示或標準。本文件結尾處有符合聲明之副本。技術文件已歸檔：

Hilti Entwicklungsgesellschaft mbH | Tool Certification | Hiltistrasse 6 | 86916 Kaufering, Germany

## 2 安全性

### 2.1 安全操作說明

#### 2.1.1 一般電動機具安全警告

##### 警告

請詳閱所有的安全警示及說明。未能遵守以下警示及說明可能會造成電擊事故、火災和 / 或嚴重的傷害。妥善保存所有警示及說明，以供將來參考。

##### 工作區域安全

- ▶ 請保持工作區的清潔與採光充足。雜亂而昏暗的工作區會導致意外發生。
- ▶ 勿在容易發生爆炸的環境中使用機具，例如有可燃性液體、瓦斯或粉塵存在的環境。機具產生的火花可能會引燃塵埃或煙霧。
- ▶ 操作機具時，請與兒童及旁人保持距離。注意力不集中時容易發生失控的情形。

##### 電力安全

- ▶ 避免讓身體碰到如管線、散熱器、爐灶與冰箱等與土地或地表接觸之物品。如果您的身體接觸到地表或地面，將增加電擊的危險。
- ▶ 請勿將機具曝露在下雨或潮濕的環境中。若水氣進入機具中將增加觸電的危險。

##### 人員安全

- ▶ 操作機具時，請提高警覺，注意進行中的工作並善用常識。感到疲勞或受到藥物、酒精或治療的影響時勿使用機具。操作機具時稍不留神就可能造成嚴重的人員傷亡。
- ▶ 穿戴個人防護裝備。請隨時穿戴眼罩。適當使用防塵面罩、防滑鞋、安全帽及耳罩等安全防護配備可減少人員的傷害。
- ▶ 避免不經意的啟動。在接上電池組、抬起或攜帶機具之前，務必確認開關處於關閉的位置。攜帶機具時，如果把手指放在開關上，或在開關開啟時，將機具插上插頭容易發生意外。
- ▶ 啟動機具前，應將所有調整鑰匙或扳手移開。將扳手或鑰匙留在機具的旋轉零件中可能會造成人員傷害。
- ▶ 勿將手伸出過遠。隨時站穩並維持平衡。這可讓您在意外情況發生時，對機具有較好的控制。



- ▶ 穿著適當服裝。請勿穿著寬鬆的衣服或佩戴珠寶。頭髮、衣服與手套應遠離移動性零件。移動性零件可能會夾到寬鬆的衣服、珠寶或長髮。
- ▶ 如果機具可連接吸塵裝置與集塵設備，請連接並適當使用這些設備。使用集塵裝置可降低與粉塵有關的危險。

#### 機具使用與保養

- ▶ 不可強制使用機具。依據用途使用正確的機具。根據設計的速率使用機具可更快速安全地完成工作。
- ▶ 若開關無法啟動或關閉電動工具時，請勿使用電動工具。任何無法以開關控制的機具都很危險且需要維修。
- ▶ 在對電動工具進行調整、更換配件或存放前，請先拔下電池組。此預防安全措施可降低機具意外啟動的風險。
- ▶ 將閒置的機具貯放在兒童拿不到的地方，勿讓不熟悉或未詳閱本說明的人員操作本機具。機具在未經訓練的使用者手中是很危險的。
- ▶ 維護機具。請檢查移動性零件有無偏移或黏合的情形、零件有無破損，以及任何會影響機具運轉的狀況。如果機具受損，請先修理再使用。很多意外便是由維護不當的機具造成的。
- ▶ 保持切割機具的銳利與清潔。具銳利切割邊緣的切割機具如果得到適當的維護，便較不會發生黏合的現象，且較容易控制。
- ▶ 遵守本指示說明使用機具、配件和工具組等，並考量工作條件與待進行的工作。將機具用在原目的外之用途可能會造成危險。

#### 電池機具的使用與保養

- ▶ 僅使用原廠指定的充電器進行充電。將適合特定類型電池的充電器用在其它電池時，會有引發火災的危險。
- ▶ 請僅使用機具特別指定的電池匣。使用其他電池匣可能會造成人員傷亡與火災。
- ▶ 電池匣未使用時，請將其遠離迴紋針、錢幣、鑰匙、針、固定釘或其他會在電池兩極間形成連結的小型金屬物件。在電池兩極間建立短路會造成灼傷或引起火災。
- ▶ 若使用不當，可能會有液體由電池流出；請避免接觸該液體。若不慎接觸，請以清水沖洗。如果不小心讓液體接觸到眼睛，請立即尋求醫療援助。從電池中滲出的液體，可能會導致過敏或燙傷。

#### 維修服務

- ▶ 請將機具交給合格的維修人員進行維修，並使用相同的替代零件。這可確保維護機具安全。

#### 2.1.2 一般研磨、砂磨、鐵刷、拋光或研磨切割操作之安全警告：

- ▶ 本機具可作為研磨機或切割機具。請詳閱本電動機具提供的所有安全警告、指示、圖解和說明。未能遵守以下所有指示可能會造成電擊事故、火災和 / 或嚴重的傷害。
- ▶ 不建議以此機具進行砂磨、鐵刷或拋光等操作。使用本電動機具進行非設計用途的作業將產生危險並導致人員受傷。
- ▶ 請勿使用非針對本機具設計和機具製造商建議的配件。即使該配件可以與機具完全配合，並不代表可以安全地操作機具。
- ▶ 配件的額定速率，至少必須與標示在機具上的最大速率相同。配件的運轉速率如果比其標示的額定速率還快，可能會造成機具破損並解體。
- ▶ 配件的外徑和厚度，必須在機具的額定速率範圍內。規格不正確的配件無法受到足夠的防護或控制。
- ▶ 如果要將配件安裝在螺紋上，則配件必須符合研磨機主軸螺紋。如果是利用凸緣安裝的配件，則配件的軸孔必須符合嵌在凸緣位置的直徑。如果配件的軸孔無法與嵌在機具上的硬體配合，會造成機具失去平衡、過度震動，進而失去控制。
- ▶ 不可使用受損配件。每次使用前請檢查配件，如研磨輪是否有缺口和裂縫、襯墊是否有裂縫、撕裂或過度磨損、鐵刷是否鬆脫、鐵絲是否缺損。如果機具或配件掉落，請檢查是否有損毀，或請安裝完好的配件。檢查和安裝配件後，請您與旁觀者站立到運轉中配件平面之外，且在未負載轉速的狀況下，持續讓機具以最高速度運轉一分鐘。受損配件通常會在此測試期間破裂。
- ▶ 請穿戴個人防護裝備。根據實際操作的狀況，使用面罩、安全護目鏡或防護眼鏡。在適當的情況下，請戴上防塵面罩、耳罩、手套和可以防止碎片或工件斷片的工廠圍裙。護目鏡必須能有效防止不同操作中產生的碎片。防塵面罩或口罩必須能過濾操作中所產生的粉塵。暴露在高分貝噪音中過久，會造成聽力損害。
- ▶ 請隔絕其他人員進入工作區。任何進入工作區的人員必須穿戴個人防護裝備。工件碎片或破損配件可能會飛散，造成操作工作區外人員受傷。
- ▶ 當所進行的工作，其切割工具可能會碰觸到隱藏配線，進行操作時請握住機具的絕緣握把。接觸「導電」電線，會導致機具暴露在外的金屬零件「導電」，使得操作人員遭受電擊。
- ▶ 請確保電線不在旋轉中配件的範圍內。如果失控，可能會切到電線或切斷電線，您的手掌或手臂可能會捲入旋轉中的配件。
- ▶ 請勿在配件完全靜止前，放下機具。旋轉中的配件可能會被地面絆住，並拉扯機具，導致無法掌控機具。
- ▶ 請勿在身體側邊握住機具時，操作機具。不小心與旋轉中配件接觸，可能會撕裂衣物並將配件推向自己的身體。



- ▶ 請定時清理機具的通風口。馬達風扇會將粉塵捲入外殼，累積過多的粉塵會造成機具損壞。
- ▶ 請勿在靠近易燃材料處操作機具。火花可能會引燃這些易燃物。
- ▶ 請勿使用需要冷卻液的配件。使用水或其他冷卻液會造成觸電或電擊事件。

#### 反作用力與相關警告

反作用力是轉輪、襯墊、鐵刷或其他配件受到擠壓或斷裂時會出現的突然反應。擠壓和斷裂的轉輪會導致旋轉配件迅速熄火，使得失控的機具在黏合處以與配件旋轉相反的方向強制運轉。

舉例來說，若研磨轉輪斷裂或受到工件的擠壓，要進入擠壓點的轉輪邊緣可能會鑽進材料的表面，使得轉輪移位或故障。轉輪可能會依照擠壓時的活動方向跳向或跳離操作員。研磨轉輪也可能會在此情況下斷裂。反作用力是機具誤用及 / 或正確操作程序或情況下的結果，若採用以下正確預防措施，則可避免此情況。

- ▶ 穩固地握住機具，並穩住您的雙臂和身體，以抵抗反作用力。如果有輔助握把的話，請使用輔助握把有控制啟動時的反作用力或扭力。操作員如果採取適當的防護措施，可以控制扭力或反作用力。
- ▶ 請勿將雙手靠近旋轉中的配件。配件可能會反作用力到您的手上。
- ▶ 請勿站立在發生反作用力發生時機具移動的範圍中。反作用力發生時，機具會在斷裂處以與轉輪旋轉相反的方向強制運轉。
- ▶ 處理尖角、銳利的邊緣時，請穿戴特殊的防護裝備，防止反作用力和斷裂的配件。尖角、銳利的邊緣或反作用力會扯斷旋轉中的配件，導致無法控制機具或機具反作用力。
- ▶ 勿加載鋸鏈、木刻刀片或鋸齒刀片。此類刀片常會造成反作用力，而無法控制機具。

#### 研磨及研磨切割操作的安全警告：

- ▶ 僅使用機具建議使用的轉輪類型，和專為選定轉輪而設計的特定防護套。使用非專為機具設計的轉輪，將無法發揮正常防護功能且不安全。
- ▶ 中心降低轉輪的研磨表面必須安裝在保護套緣的下方。如果安裝不當而導致轉輪突出於保護套緣時，將無法提供適當的保護。
- ▶ 防護套須確實固定於機具上，且位於最安全的位置，確保轉輪與操作人員身體最少的接觸。防護套可保護操作員，免於受到損壞轉輪碎片擊傷、意外碰觸轉輪和衣服遭火花引燃的危險。
- ▶ 轉輪僅用於建議的操作中，例如：勿以切割轉輪兩側進行研磨。研磨切割轉輪係專為周邊研磨而設計。在轉輪側面施力，可能會使其解體。
- ▶ 使用未受損且符合選定轉輪規格及形狀的轉輪凸緣。合適的轉輪凸緣可支撐轉輪，降低轉輪破損的風險。切割轉輪的凸緣可能與研磨轉輪凸緣不同。
- ▶ 請勿使用大型機具之磨損轉輪。大型機具使用的轉輪不適合高速的小型機具使用，可能會造成爆炸。

#### 研磨切割操作的其他安全警告：

- ▶ 不可「硬塞」切割轉輪或施以太大的壓力。不可作太深的切割。轉輪超載會增加負載量，並可能造成切割時轉輪扭曲或黏合，以及發生反作用力或轉輪破損。
- ▶ 勿與旋轉中的轉輪呈一直線或站在其後。轉輪在運轉時的方向，是遠離您的身體。可能發生的反作用力會將旋轉中的轉輪和機具直接推向您。
- ▶ 當轉輪黏合或因任何原因中斷切割，請關閉機具然後握住機具不動，直到轉輪完全停止轉動。請勿嘗試在轉輪運轉時，移除切割轉輪，否則會產生反作用力。了解並採取更正措施，以消除轉輪黏合的原因。
- ▶ 勿在工件內重新啟動切割作業。請讓轉輪以全速轉動，並小心重新切割。機具若於工件內重新啟動作業，可能會造成轉輪黏合、向上移動或產生反作用力。
- ▶ 支撐控制板或過大的工件，以減少轉輪黏合及產生反作用力的風險。大型的工件可能因為其自身的重量而下垂。必須在工件下，靠近切割線和靠近工件轉輪兩側邊緣加以支撐。
- ▶ 在牆面上或其他盲蔽區域執行「挖袋切割」時，請格外小心。突出的轉輪可能會切斷瓦斯管或水管、電線或任何物件，造成反作用力。

### 2.1.3 其他安全指示

#### 人員安全

- ▶ 僅在本產品能正常運轉時使用。
- ▶ 勿嘗試以任何方式改裝機具。
- ▶ 避免接觸旋轉中零件 - 有受傷的危險！
- ▶ 請在更換配件工具時也戴上防護手套。觸摸配件工具可能會造成受傷（割傷或燙傷）。
- ▶ 在開始作業前，請先針對作業時所產生粉塵之危險等級進行確認。使用符合當地粉塵防治條例，且經法定認為保護等級之工業用吸塵器。含鉛塗料、某些木材及含石英之混凝土 / 石材 / 石頭、礦物質或金屬等材料的粉塵均可能對身體有害。
- ▶ 請確保工作場所所有良好通風，必要時，請依會產生的粉塵類型配戴適合的口罩。操作人員與旁觀者接觸或吸入粉塵可能會引起過敏並 / 或造成呼吸系統或其他疾病。像是橡木與山毛櫸木材的粉塵已列為致癌物質，尤其是當它們使用調濕塗料（鉻酸鹽、木材防腐劑）時。包含石綿之基材務必由專人處理。
- ▶ 請利用工作空檔時休息，並活動您的手指以促進血液循環。長時間暴露在震動下會造成手指、手掌和手腕的血管和神經系統失調。



## 電力安全

- ▶ 開始工作前，請先檢查工作區域是否有隱藏的電纜線、瓦斯管或水管。若不小心損壞電纜線，機具外部的金屬零件可能會造成觸電。

## 小心使用和操作機具

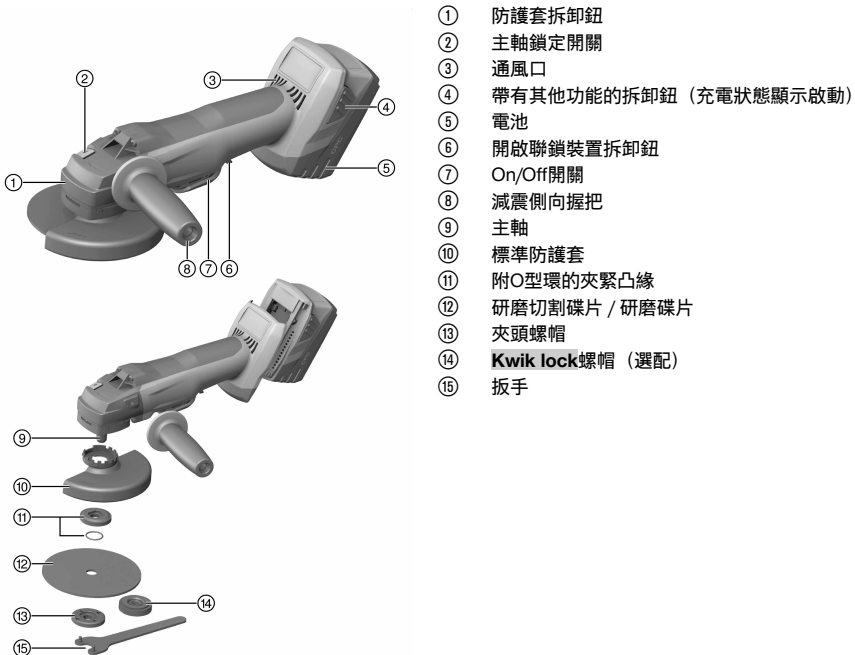
- ▶ 請勿使用切割碟片來進行研磨作業。
- ▶ 鎖緊配件和凸緣。若配件和凸緣的螺帽沒有完全鎖緊，配件可能因機具關閉後機具馬達的制動作用而在運行時從主軸鬆開。
- ▶ 請遵守製造商對研磨碟片的處理和貯放說明。

### 2.1.4 電池的使用與保養

- ▶ 請遵守適用於搬運、貯放和使用鋰電池的特殊法規和操作說明。
- ▶ 請勿讓電池暴露在高溫下，讓陽光直接照射或接觸火焰。
- ▶ 請勿拆解、擠壓或焚燒電池，且不可將電池置放在溫度超過80°C的環境中。
- ▶ 請勿使用或充電受到機構性衝擊、從高處摔落或有損壞跡象之電池。在此情況下，務必聯絡Hilti維修中心。
- ▶ 若電池溫度過高無法觸摸，表示電池可能已經毀損。此時，可將產品置於可隨時觀察並靜置冷卻的非易燃位置，同時遠離易燃物質。在此情況下，務必聯絡Hilti維修中心。

## 3 說明

### 3.1 產品總覽



- ① 防護套拆卸鈕
- ② 主軸鎖定開關
- ③ 通風口
- ④ 帶有其他功能的拆卸鈕（充電狀態顯示啟動）
- ⑤ 電池
- ⑥ 開放聯鎖裝置拆卸鈕
- ⑦ On/Off開關
- ⑧ 減震側向握把
- ⑨ 主軸
- ⑩ 標準防護套
- ⑪ 附O型環的夾緊凸緣
- ⑫ 研磨切割碟片 / 研磨碟片
- ⑬ 夾頭螺帽
- ⑭ **Kwik lock**螺帽（選配）
- ⑮ 扳手

### 3.2 用途

本文所述產品為手持充電式角磨機。本機具專為切割和研磨金屬及礦材與瓷磚鑽孔而設計，且不需要使用水。機具僅能為乾燥研磨 / 切割使用。

- 機具裝備對應的防護套（選配）時，才能用於切割、切縫或研磨礦材的工作。
- 在混凝土或石材等礦材上工作時必須搭配除塵防護罩與適合的Hilti真空吸塵器。
- ▶ 本產品限使用B 22系列Hilti鋰電池。
- ▶ 以上電池限使用C4/36系列Hilti電池充電器。



### 3.3 配備及數量

角磨機、側向握把、標準防護套、前蓋、夾緊凸緣、螺帽、扳手、操作說明。

關於本產品，您可於當地 **Hilti Store** 或網站查詢其他經過認證可搭配使用的系統產品：[www.hilti.group](http://www.hilti.group)

### 3.4 馬達過熱保護

變溫馬達保護系統可監控電流輸入及馬達溫度，以避免機具過熱。

如果馬達壓力過載，機具效能便會明顯下降或完全停住。

如果機具空轉或是因過載造成轉速大幅降低，請鬆開所施加的壓力，讓它在無負載下運轉約30秒。

### 3.5 防護套附前蓋

當在金屬作業中以直線研磨碟片研磨，及以切割碟片切割時，請使用附前蓋的標準防護套。

### 3.6 DC-EX 125/5" C切割用輕巧型集塵罩 (配件)

使用鑽石切割碟片，使用DC-EX 125/5" C輕巧型防護罩。

注意禁止將此防護罩用於金屬相關作業。

### 3.7 DG-EX 125/5" 研磨用集塵罩 (配件)

本研磨系統僅適合於研磨礦材時偶而搭配鑽石杯輪使用。

注意禁止將此防護罩用於金屬相關作業。

### 3.8 鋰電池充電狀態顯示

按下兩個電池拆卸鈕的其中一個後，將會顯示鋰電池的充電狀態。

狀態	意義
4個LED亮起。	充電狀態：75 %至100 %
3個LED亮起。	充電狀態：50 %至75 %
2個LED亮起。	充電狀態：25 %至50 %
1個LED亮起。	充電狀態：10 %至25 %
1個LED閃爍。	充電狀態：< 10 %

當機具正在操作或剛操作後無法讀取其電池充電狀態。若電池充電狀態LED燈閃爍，請參閱「故障排除」一節所提供的資訊。

## 4 耗材

僅能使用最大直徑為 $\varnothing$  125 mm，經認可得以旋轉速度至少每分鐘11,000轉且圓周速度為80 m/s工作的合成樹脂強化纖維碟片。

最大允許的研磨碟片厚度為6.4 mm，最大允許的切割碟片厚度為3 mm。

注意！使用研磨切割碟片進行切割或切縫時，必須安裝額外前蓋的標準防護套或是完全覆蓋的集塵罩。

碟片

	實務應用	名稱	施作基材
研磨切割碟片	切割、切縫	AC-D	金屬
鑽石切割碟片	切割、切縫	DC-TP、DC-D (SPX、SP、P)	礦材
研磨碟片	粗調研磨	AG-D、AF-D、AN-D	金屬
鑽石研磨碟片	粗調研磨	DG-CW (SPX、SP、P)	礦材
鑽石岩心鑽頭	於磁磚上鑽孔	DD-M14	礦材





## 適合裝備使用的碟片

項目名稱	設備	AC-D	AG-D	AF-D	AN-D	DG-CW	DC-D	DD-M14
A	防護套	X	X	X	X	X	X	X
B	前蓋 (搭配A)	X	-	—	—	—	X	—
C	DG-EX 125/5"研磨用集塵罩	—	—	—	—	X	—	—
D	DC-EX 125/5"C切割用集塵罩 (僅能搭配A)	—	—	—	—	—	X	—
E	側向握把	X	X	X	X	X	X	X
F	DCBG 125鐵環握把 (E的選配)	X	X	X	X	X	X	X
G	螺帽	X	X	X	X	X	X	—
H	夾緊凸緣	X	X	X	X	X	X	—
I	<b>Kwik lock</b> (G的選配)	X	X	X	X	—	X	—

## 5 技術資料

AG 125-A22	
額定電壓	21.6 V
額定速率	9,500 rpm
最大碟片直徑	125 mm
重量 (依據EPTA Procedure 01) , 含B228.0電池	3.3 kg
起子軸螺紋 (軸孔型)	M14
主軸長度	22 mm

### 5.1 噪音資訊和震動值 (依據EN 60745)

操作說明中所提供之音壓和震動值已參照標準測量，並可用來比較不同機具之噪音。它們也可作為噪音量的初步評估。提供之資料表示機具主要應用時之數值。若機具應用於不同之用途，搭配不同的配件工具或在保養不良的情況下，其數據會有所不同。在作業過程中，這會大幅提高其噪音量。當機具關閉，或開啟但未進行任何作業時也應列入考量，才能準確評估噪音量。在作業過程中，這會大幅降低其噪音量。確認其他安全措施，以保護操作員不受噪音和 / 或震動影響，例如：保養機具與其配件工具、操作前保持雙手溫暖、作業型式之安排等。

#### 噪音資訊

釋放的音壓級數 ( $L_{pA}$ )	83 dB(A)
無法判定的音壓級數 ( $K_{pA}$ )	3 dB(A)
聲功率級數 ( $L_{WA}$ )	94 dB(A)
無法判定的聲功率級數 ( $K_{WA}$ )	3 dB(A)

#### 震動資訊

如切割等其他用途可能會產生不同於這些指定值的震動值。

使用減震側向握把進行表面研磨 ( $a_{h, AG}$ )	3.8 $m/s^2$
無法判定 (K)	1.5 $m/s^2$

### 5.2 電池

電池操作電壓	21.6 V
操作時的環境溫度	-17 °C ... 60 °C
貯放溫度	-20 °C ... 40 °C
電池充電啟動溫度	-10 °C ... 45 °C



## 6 使用前注意事項

### 6.1 置入電池 5

#### 注意

有受傷的危險！因為不慎啟動角磨機。

- ▶ 安裝電池前，請先角磨機是否關閉且安全鎖已啟動。

#### 注意

電力危險。接點斷開可能會造成短路。

- ▶ 應避免電池電路短路。置入電池前，請檢查角磨機的電池，確保正負極與接點沒有異物。

#### 注意

有受傷的危險！電池未確實安裝時可能會掉落。

- ▶ 確認電池已確實裝入機具中，如此一來便不會掉落並造成其他人員的危險。
- ▶ 安裝電池並確認是否有牢牢裝入機具。

### 6.2 卸下電池 6

- ▶ 卸下電池。

### 6.3 安裝側向握把

- ▶ 將側向握把旋轉至有螺紋套管的位置。

### 6.4 安裝及卸下防護套

#### 注意

有受傷的危險！配件可能會非常燙或是有尖銳的邊緣。

- ▶ 安裝、卸下或調整配件或其他零件，以及排除故障時，請穿戴手套。
- ▶ 請遵守操作說明安裝適用的防護套。

#### 6.4.1 安裝防護套 7



防護套設有定位片，確保只有機具適用的防護套類型可安裝上去。防護套定位片安裝於機具的防護套基座。

1. 將防護套安裝在起子軸環軸，讓防護套及機具上的兩個三角形符號對齊。
2. 將防護套壓入起子軸環軸。
3. 按下防護套拆卸鈕。
4. 旋轉防護套直到緊密咬合且防護套拆卸鈕跳回到原始位置為止。

#### 6.4.2 調整防護套

- ▶ 按下防護套拆卸鈕，然後旋轉防護套，直到防護套與您要的位置緊密咬合為止。

#### 6.4.3 卸下防護罩

1. 按下防護套拆卸鈕，然後旋轉防護套，直到防護套與機具上的三角形符號對齊為止。
2. 卸下防護套。

### 6.5 安裝或卸下前蓋 8



前蓋使用時夾在保護套上。

1. 將前蓋置於標準防護套封閉端的位置然後推入，直到咬合為止。
2. 若要取下前蓋，先鬆開前蓋扣鉤然後拉起前蓋，使其脫離標準防護套。



## 6.6 定位DC-EX 125/5°C集塵罩 (切割用)

- ▶ 請隨時留意，確保輕巧型防護套的位置可讓On/off開關順利活動和操作。

## 6.7 安裝及卸下配件工具

### 注意

有受傷的危險！配件可能變得很熱。

- ▶ 請在更換配件時戴上防護手套。

如果鑽石切割碟片的切割或研磨效果已大幅下降時，請務必更換碟片。在這種情況下，節段厚度可能已小於2 mm。

如果其他碟片的切割效果已大幅下降，或是角磨機的其他部位會在工作時接觸到施作基材時，請務必更換碟片。

如果已達到保存期限時，必須更換研磨碟片。

### 6.7.1 安裝配件工具

1. 卸下電池。→ 頁次 212
2. 檢查O形環是否固定在夾緊凸緣中，而且並未受損。  
結果  
O形環受損。  
O型環不在夾緊凸緣中。  
▶ 安裝新的且附有O型環的夾緊凸緣。
3. 將夾緊凸緣安裝至起子軸（鍵齒需相符以避免滑動 / 轉動）。
4. 安裝配件工具。

### 警告

有受傷的危險！可能因為馬達的制動作用而造成配件鬆開。

- ▶ 應先等待配件完全停止，才能接觸或握住配件或螺帽。
- ▶ 確實鎖緊夾緊凸緣或螺帽以固定配件，如此一來零件就不會因馬達的制動作用而從主軸鬆開。

5. 依照安裝的配件工具類型將螺帽旋上。
6. 按下主軸鎖定開關，並按住不動。
7. 使用鑽針扳手穩固地旋緊夾具螺帽，然後鬆開主軸鎖定開關並取下扳手。

### 6.7.2 卸下配件工具

1. 卸下電池。→ 頁次 212

### 注意

破損和無法修復的危險。如果在主軸旋轉時按下主軸鎖定開關，配件工具會從機具上分離。

- ▶ 當主軸停止旋轉後，才可以按下主軸鎖定開關。

2. 按下主軸鎖定開關，並按住不動。
3. 使用扳手以逆時針方向旋轉螺帽，將螺帽鬆開。
4. 鬆開起子軸鎖定按鈕並卸下配件工具。

### 6.7.3 安裝使用Kwik lock螺帽固定的配件工具

### 注意

有破損的危險。嚴重的磨損（耗損）可能會造成Kwik lock螺帽破損。

- ▶ 使用機具工作時，請確定Kwik lock螺帽未接觸工作表面。
- ▶ 請勿使用受損的Kwik lock螺帽。

可使用選配的Kwik-lock螺帽取代標準螺帽。配件工具（碟片等）更換即不需要額外工具（自動鎖定系統）。

1. 卸下電池。→ 頁次 212
2. 清潔夾緊凸緣並快速鬆開螺帽。
3. 將夾緊凸緣安裝至起子軸。



4. 安裝配件工具。
5. 旋上**Kwik lock**螺帽，直到完全固定配件工具。
  - ▶ 旋上螺帽時，應可以看見**Kwik lock**名稱。
6. 按下主軸鎖定開關，並按住不動。
7. 用手朝順時針方向用力轉動研磨碟片，直到**Kwik lock**螺帽穩固鎖緊為止，然後鬆開主軸鎖定開關。

#### 6.7.4 卸下使用**Kwik lock**螺帽固定的配件工具

1. 卸下電池。→ 頁次 212

##### 注意

**破損和無法修復的危險。** 如果在主軸旋轉時按下主軸鎖定開關，配件工具會從機具上分離。

- ▶ 當主軸停止旋轉後，才可以按下主軸鎖定開關。

2. 按下主軸鎖定開關，並按住不動。
3. 用手逆時針方向轉動，鬆開**Kwik lock**螺帽。
4. 若**Kwik lock**螺帽無法用手轉動鬆開，請使用鑽針扳手以逆時針方向轉動螺帽。



請勿使用管板手！管板手可能會造成**Kwik lock**螺帽損壞。

5. 鬆開主軸鎖定開關並卸下配件工具。

#### 6.7.5 安裝岩心鑽頭

1. 卸下電池。→ 頁次 212
2. 安裝側向握把。→ 頁次 212
3. 安裝防護套。→ 頁次 212
4. 將岩心鑽頭固定並以手鎖緊。
5. 按住軸心鎖定開關。
6. 使用適合的六角開口扳手鎖緊岩心鑽頭。
7. 然後鬆開主軸鎖定開關並卸下六角開口扳手。

## 7 操作

### 7.1 研磨

##### 注意

**有受傷的危險！** 配件可能會停住或失速。

- ▶ 隨時以雙手握緊安裝在電動機具上的側向握把（或是選配的鐵環握把）。

### 7.2 切割

- ▶ 切割時，應施用適當壓力且不得將機具或是切割碟片傾斜（工作時，請固定在切割表面約90°）。



切割剖面或方形管時為得到最好的效果，先從最小截面積開始切割。

### 7.3 粗調研磨

##### 注意

**有受傷的危險！** 研磨切割碟片可能會碎裂，飛出的碎片可能會導致受傷。

- ▶ 請勿使用研磨切割碟片來進行研磨作業。
- ▶ 施用適當壓力，保持5°到30°的施力角度來回移動機具。
  - ▶ 這將會避免工件過熱及變色，且有助於保持表面加工平均。

### 7.4 開啟機具（具開啟聯鎖裝置的機具）



具安全鎖的On/Off開關（開啟聯鎖裝置）可讓您完全控制開關功能並避免不慎啟動。



1. 向前推安全鎖。
  - ▶ On/Off開關解鎖。
2. 按下On/Off開關直到可以運轉為止。
  - ▶ 機具的馬達將以無負載速度運轉。

### 7.5 關閉機具（具開啟聯鎖裝置的機具）

- ▶ 鬆開On/Off開關。
  - ▶ 安全鎖會自動跳到鎖定位置。

## 8 維護和保養



### 警告

電池裝入時有受傷的危險！

- ▶ 進行維護及保養前，請務必卸下電池！

### 機具維護及保養

- 小心地清除頑強的髒污。
- 請使用乾燥的刷子小心清潔通風口。
- 僅能使用微濕軟布清潔外殼。勿使用含硅樹脂的清潔或亮光劑，因為可能會造成塑膠零件損壞。

### 鋰電池的保養

- 避免電池沾上油脂。
- 只能使用微濕軟布清潔外殼。勿使用含硅樹脂的清潔或亮光劑，因為可能會造成塑膠零件損壞。
- 避免濕氣進入。

### 維護

- 定期檢查外部零件和控制元件有無損壞跡象，並確認它們運作正常。
- 如果有損壞跡象或任何零件功能故障，請不要操作本產品。請將產品立刻交付Hilti維修中心進行維修。
- 清潔及保養後，裝上所有防護套或保護裝置並檢查功能是否正常。



為確保操作的安全及可靠性，請務必使用原廠Hilti備件與耗材。您可以在Hilti Store或網站：選購Hilti認可的備件、耗材和配件。[www.hilti.group](http://www.hilti.group)。

## 9 充電式機具的搬運與貯放

### 搬運



### 注意

搬運時意外啟動！

- ▶ 搬運產品時務必卸下電池！
- ▶ 卸下電池。
- ▶ 切勿以堆疊（分散，未受到保護）的方式運送電池。
- ▶ 長途搬運後，在使用前請檢查機具與電池是否有損壞。

### 設備的貯放



### 注意

電池故障或漏液造成的意外損害！

- ▶ 儲存產品時務必將電池卸下！
- ▶ 請儘可能將機具與電池貯放於陰涼乾燥處。
- ▶ 請勿將電池貯放於日光直射處、加熱裝置旁或窗台上。
- ▶ 請將機具與電池貯放在乾燥且兒童或未授權的人員無法觸及的地點。
- ▶ 長時間貯放後，在使用前請檢查機具與電池是否有損壞。

## 10 故障排除

若您遇到未列出的問題或是無法自行排除的問題，請聯絡Hilti維修中心。



## 10.1 故障排除

故障	可能原因	解決方法
本電池較一般電池壽命短。	周遭環境溫度極低。	▶ 將電池放在室溫下緩慢升溫。
電池咬合時不會發出兩聲喀啦聲。	電池上的卡榫太髒。	▶ 清潔卡榫並重新安裝電池。
1個LED閃爍。 機具不會運轉。	電池電量不足。	▶ 更換電池，並對無電量的電池再次充電。
	該電池過熱或過冷。	▶ 將電池放在室溫下緩慢降溫或升溫。
4個LED閃爍。 機具不會運轉。	機具已過載。	▶ 鬆開控制開關，接著再按一次。然後讓機具在無負載的情況下運轉約30秒。
角磨機變得很燙。	電力故障。	▶ 立即將電動機具關閉，卸下電池，將機具置於可隨時觀察的位置，讓它靜置冷卻並聯絡Hilti維修中心。
機具無法達到全功率。	電池容量不足。	▶ 使用仍有適當容量的電池。
馬達沒有制動作用。	電池電量不足。	▶ 更換電池，並對無電量的電池再次充電。
	機具短暫過載。	▶ 鬆開控制開關，接著再按一次。

## 11 廢棄設備處置

Hilti機具或設備所採用的材料大部分均可回收再利用。材料在回收前必須正確地分類。在許多國家中，您可以將舊機具及設備送回Hilti進行回收。詳情請洽Hilti維修中心，或當地Hilti代理商。

### 電池處置

不當處理電池會造成有害健康之氣體或液體。

- ▶ 請勿以郵寄方式寄送電池！
- ▶ 將電池端子蓋上不導電物質（例如絕緣膠帶）以避免短路。
- ▶ 請將電池棄置於兒童無法觸及的地方。
- ▶ 請將該電池送交Hilti Store處理，或參考所在地的垃圾處理管轄機構或公共健康與安全機關之處理說明。



- ▶ 請勿將機具、電子設備或電池當作一般家用廢棄物處理！

## 12 RoHS (有害物質限制指令)

按一下本連結可前往危險物質表：[qr.hilti.com/r3958236](http://qr.hilti.com/r3958236)。

您可在文件最後找到QR碼格式的RoHS表連結。

## 13 製造商保固

- ▶ 如果您對於保固條件有任何問題，請聯絡當地Hilti代理商。

## 原版操作说明

### 1 文档信息

#### 1.1 关于该文档

- 首次操作或使用前，请先阅读本文档。这是安全、无故障地操作和使用产品的前提条件。
- 请遵守本文件中以及产品上的安全说明和警告。
- 请务必将本操作说明与本产品保存在一起，确保将操作说明随产品一起交给他人。



## 1.2 使用符号的说明

### 1.2.1 警告

警告是为了提醒您<sup>2</sup>在处理或使用此产品时会发生的危险。使用以下信号词：



**危险！**

- ▶ 用于让人们能够注意到会导致严重身体伤害或致命的迫近危险。



**警告！**

- ▶ 用于提醒人们注意可能导致严重或致命伤害的潜在危险。



**小心！**

- ▶ 用于提醒人们注意可能导致轻微人身伤害、设备损坏或其他财产损失的潜在危险情形。

### 1.2.2 文档中的符号

本文档中使用下列符号：

	请在使用之前阅读操作说明。
	使用说明和其他有用信息
	处理可回收材料
	不得将电气设备和电池作为生活垃圾处置

### 1.2.3 图示中的符号

图示中使用了下列符号：

	这些编号指本操作说明开始处的相应图示。
	图示中的编号反映操作顺序，可能与文本中描述的步骤不同。
	概览图示中使用了项目参考号，该参考号指的是产品概览部分中使用的编号。
	这些符号旨在提醒您在操作本产品时要特别注意的某些要点。

## 1.3 取决于产品的符号

### 1.3.1 产品上的符号

产品使用的符号如下：

	戴上护目装置
n	额定转速
/min	每分钟转数
RPM	每分钟转数
	直径
	直流电 (DC)



	锂离子电池
	使用 Hilti 锂离子电池类型系列。请遵守 <b>预期用途</b> 一章中所述的信息。
	切勿将电池用作敲击工具。
	请勿让电池掉落。切勿使用受到撞击或有任何损坏的电池。
	电动工具支持近场通信 (NFC) 技术，兼容于 iOS 和安卓平台。

## 1.4 产品信息

产品经设计适用于专业用户，只有经过专门训练的授权人员才允许操作、维修和维护本产品。必须将任何可能的危险专门告知该人员。不按照既定用途使用或由未经培训的人员不正确地使用本产品及其辅助设备可能会带来危险。

型号名称和序列号印在铭牌上。

▶ 在下表中填写序列号。在联系 Hilti 维修中心或当地 Hilti 机构询问产品时，将要求您提供产品的详细信息。

### 产品信息

角磨机	AG 125-A22
分代号	02
序列号	

## 1.5 符合性声明

按照我们单方面的责任，我们声明本产品符合下列适用指令和标准：一致性声明副本位于本文档结尾处。技术文档在此处归档：

Hilti Entwicklungsgesellschaft mbH | Tool Certification | Hiltistrasse 6 | 86916 Kaufering, Germany

## 2 安全

### 2.1 安全说明

#### 2.1.1 一般电动工具安全警告

##### 警告

请阅读所有安全警告和操作说明。不遵守安全警告和操作说明可能会导致电击、火灾和/或严重人身伤害。请保存所有安全警告和操作说明，以供将来参考。

##### 工作区域安全

- ▶ 保持工作区域清洁和良好照明。杂乱和黑暗的区域容易导致事故。
- ▶ 不要在爆炸性环境中操作电动工具，例如有易燃液体、气体或灰尘。电动工具会产生可以点燃这些灰尘或烟雾的火花。
- ▶ 在操作电动工具时，要令儿童和旁观者远离工作现场。万一分心，可能会使您失去对电动工具的控制。

##### 电气安全

- ▶ 避免人体接触接地表面，如管道、散热片和冰箱。如果您的身体接地，则会增加电击危险。
- ▶ 不要将电动工具暴露在雨水或潮湿环境中。电动工具进水将会增加电击危险。

##### 人身安全

- ▶ 保持警觉，注意您正在进行的工作，并在操作电动工具的过程中，应利用自己的判断能力。当您疲劳或受到药物、酒精或医疗影响时，请不要使用电动工具。当操作电动工具时，瞬间的分心都可能导致严重的人身伤害。
- ▶ 使用个人防护装备。一定要戴上护目装置。防尘罩、防滑安全鞋、安全帽或用于适当情况下的听觉防护装置等防护装备可减少人身伤害。
- ▶ 防止电动工具意外启动。在连接电池组、拿取或运送工具前，确保开关处于关闭位置。将手指放在开关上搬运电动工具或在开关处于“打开”位置时接通电源，都可能会导致事故发生。
- ▶ 在打开电动工具之前，必须拿掉任何调整键或扳手。让扳手或调整键留在电动工具的旋转部件上可能会导致人身伤害。
- ▶ 不要操之过急。应时刻保持正确的站姿和平衡。这在意外情况下能够更好地控制电动工具。





- ▶ 应正确穿着。不要穿着松垮的衣服或佩戴首饰。让头发、衣服和手套远离运动部件。松垮的衣服、首饰或长发会卡在运动部件中。
- ▶ 如果提供有用于连接除尘和集尘设施的装置，应确保将它们连接好并正确使用。使用除尘装置可以减少与灰尘相关的危险。

#### 电动工具的使用和维护

- ▶ 不要强制使用电动工具。针对您的应用场合使用正确的电动工具。正确的电动工具在其额定设计值范围内将能够更好和更安全地工作。
- ▶ 如果通过开关不能使其打开和关闭，则请不要使用电动工具。任何不能通过开关进行控制的电动工具都是危险的，必须对其进行修理。
- ▶ 在进行调整、更换配件或存放电动工具之前，必须将电池组与电动工具断开。此预防性安全措施可减少意外启动电动工具的危险。
- ▶ 将不用的电动工具存放在儿童拿不到的地方，并且不要让不熟悉电动工具或其操作说明的人员操作电动工具。未经培训的用户操作电动工具是危险的。
- ▶ 维护电动工具。检查是否存在运动部件失调或卡滞、部件断裂和任何其它影响电动工具操作的情况。如果存在损坏，则在使用之前应修理电动工具。许多事故都是由于电动工具维护不良造成的。
- ▶ 保持切削工具锋利和清洁。带锋利切削刃的切削工具如果维护得当，很少会发生卡滞且更容易控制。
- ▶ 按照使用说明书，考虑作业条件和进行的作业来使用电动工具、附件和工具的刀头等。将电动工具用于指定用途以外的场合会导致危险。

#### 无绳(电池操作)工具/设备的使用和维护

- ▶ 充电时只能使用制造商指定的充电器。适合某种类型电池组的充电器如果被用于为另一类型电池组充电，则可能会带来火灾危险。
- ▶ 只能使用专用电池组为电动工具供电。使用任何其它电池组可能会带来人身伤害和火灾。
- ▶ 当电池组不用时，应使其远离其它金属物体，例如纸夹、硬币、钥匙、钉子、螺钉或其它小的金属物体，以免造成短路。如果电池端子被短路，则会造成人员烧伤或火灾。
- ▶ 如果持续滥用电池，则可能会造成液体从电池中喷射出来；注意避免接触到液体。如果意外接触到液体，应用水冲洗。如果液体接触眼睛，除了用大量清水冲洗外，还应立即就医。从电池中喷射出来的液体会导致疼痛或灼伤。

#### 保养

- ▶ 将您的电动工具送交专业维修人员，使用同样的备件进行修理。这样才能确保维持电动工具(设备)的安全性。

#### 2.1.2 有关磨削、砂磨、钢丝刷光、抛光或研磨切断操作的通用安全警告：

- ▶ 本电动工具设计用作磨削或切断工具。请阅读本电动工具随附的所有安全警告、说明、图示和技术规范。不遵守下列所有操作说明可能会导致电击、火灾和/或严重人身伤害。
- ▶ 不建议使用本电动工具执行砂磨、钢丝刷光或抛光等操作。使用电动工具执行规定以外的操作可能会引发危险并造成人身伤害。
- ▶ 不要使用并非由工具制造商专门设计和推荐的配件。因为即使这类配件可以安装在电动工具上，也不能确保安全操作。
- ▶ 配件的额定转速至少必须等于电动工具上标记的最大转速。如果配件旋转快于其额定转速，则可能会导致其断裂和飞离电动工具。
- ▶ 配件的外径和厚度必须在电动工具的额定能力范围内。尺寸不正确的配件不利于进行有效防护或控制。
- ▶ 配件的螺纹座与研磨机主轴的螺纹必须匹配。对于通过法兰安装的配件，配件的心轴孔与法兰的定位直径必须匹配。与电动工具的安装硬件不匹配的配件将失去平衡、过度振动并且可能导致失控。
- ▶ 不得使用已损坏的配件。在每次使用前，应检查配件，例如检查磨盘是否碎裂或有裂纹，背垫是否有裂纹、撕裂或过度磨损，以及钢丝刷是否松动或钢丝是否开裂。如果电动工具或配件掉落，则应检查其是否存在损坏或安装未损坏的配件。在检查并安装配件后，让自己和旁观者都远离配件旋转平面，并令电动工具在最大转速下空载运行一分钟。在此测试期间，已损坏的配件将会正常破裂。
- ▶ 穿戴个人防护装备。根据应用场合，使用防护面罩、护目镜或安全眼镜。必要时，穿戴防尘面具、护耳装置、防护手套和车间工作围裙(避免受到微小研磨或加工工件碎片的侵害)。护目装置必须在各种操作下都能够防止产生的飞屑碎片伤害到眼睛。防尘面具或呼吸器必须能够过滤掉操作过程中产生的灰尘颗粒。长期处于高强度噪音下可能会导致听力丧失，因此在这种情况下必须佩戴护耳装置。
- ▶ 确保旁观者处于远离工作区域的安全位置。进入工作区域的任何人都必须穿戴个人防护装备。工件的碎片或损坏的配件可能会飞出，并可能对操作区域附近人员造成人身伤害。
- ▶ 执行切削工具可能接触到隐藏的线束的操作时，仅通过绝缘的抓取面握住电动工具。接触到“带电”导线也会使电动工具的裸露金属部分“带电”，从而可能使操作者受到电击。
- ▶ 远离旋转的配件放置电缆。否则如果万一失去控制，则电缆可能会被切断或缠上旋转配件，且您的手或手臂可能会因此被卷入旋转配件中。



- ▶ 在配件完全停止之前，切勿放下电动工具。否则旋转配件可能会攫取放置表面，从而使电动工具失去控制。
- ▶ 随身携带电动工具时，不要运行电动工具。否则如果发生意外接触，旋转配件会抓取您的衣物，从而造成不必要的人身伤害。
- ▶ 定期清洁电动工具的通风口。电机风扇会吸附壳体内的灰尘，如果粉状金属过度积聚，则可能会导致电气危险。
- ▶ 不要在易燃材料附近操作电动工具。否则产生的火花可能会引燃这些物质。
- ▶ 不要使用需要液态冷却剂的配件。使用水或其它液态冷却剂可能会导致电击或触电死亡。

#### 反冲及相关警告

反冲是旋转中的圆盘、背垫、刷子或任何其它配件被压紧或受到阻碍时的突然反作用力。压紧或阻碍作用会导致旋转配件突然停止转动，这反过来会对电动工具产生作用力，导致电动工具沿着与阻碍点处配件旋转相反的方向发生不受控制地移动。

例如，当磨盘被加工件阻挡或挤压住时，进入挤压点的磨盘边缘会掘进材料的表面，从而导致磨盘蹭动或弹出。磨盘可能会跳离或跳向操作者，这取决于磨盘在阻碍点处的运动方向。在这些情况下磨盘还可能会发生断裂。

电动工具使用不当和/或操作程序或条件不正确都可能会导致反冲，反冲可以通过采取以下预防措施加以避免。

- ▶ 保持牢牢握住电动工具，并将身体和手臂置于可方便对抗反冲力的位置。应始终使用辅助手柄（若配备），以便最大限度地控制住起动时的反冲力或反作用扭矩。如果采取了适当的预防措施，则操作者完全可以控制住反冲力或反作用扭矩。
- ▶ 切勿将手置于旋转的配件附近。否则配件可能会打伤您的手。
- ▶ 不要将身体置于发生反冲时电动工具的运动范围内。在旋转圆盘受到阻碍时，反冲力将会导致电动工具沿着与阻碍点处圆盘旋转相反的方向发生不受控制地移动。
- ▶ 在拐角、锋利边缘等位置工作时应特别小心。避免使配件弹起和受到阻碍。拐角、锋利边缘或弹起都有可能使旋转配件受到阻碍，从而引起失控或产生反冲。
- ▶ 不要附加安装锯齿木刻锯条或带齿锯条。这类锯条容易引起频繁的反冲和失控。

#### 有关磨削和研磨切削操作的特定安全警告：

- ▶ 请仅使用推荐用于您的电动工具的磨轮类型以及设计用于所选磨轮的专用防护装置。非专门为本电动工具设计的圆盘不利于进行有效防护，而且是不安全的。
- ▶ 中央凹陷磨轮的磨削表面必须安装在防护唇平面的下方。穿过防护唇平面伸出的安装不当的磨轮无法受到充分保护。
- ▶ 防护装置必须牢固地安装在电动工具上，其位置应确保最大安全性，以使磨轮最小限度地暴露给操作者。防护装置有助于保护操作者免受破裂的磨轮碎片的伤害，以及避免意外接触到磨轮和可能引燃衣服的花火。
- ▶ 圆盘只能用于推荐的用途。例如：不得用切削盘的侧面进行磨削。研磨切削盘专门用于圆周磨削，如果对其施加侧向力，则可能会导致其发生损坏。
- ▶ 请务必对所选磨轮使用尺寸和形状都正确且未损坏的磨轮轮缘。使用正确的圆盘法兰支撑圆盘有助于降低圆盘破裂的可能性。切削盘的法兰与磨削盘的法兰可能有所不同。
- ▶ 不要使用更大型电动工具上已磨损的磨轮。专门用于较大型电动工具的圆盘不适合用于转速更高的较小型电动工具，否则可能会发生爆裂。

#### 有关研磨切断操作的特定附加安全警告：

- ▶ 注意不要“卡住”切削盘或对其施加过大的压力。切削深度不得过大。如果切削时对圆盘施加的压力过大，则会增加圆盘的负载，令其容易发生扭转或卡滞，并增加发生反冲或圆盘损坏的可能性。
- ▶ 不要使身体与旋转的切断轮成一条直线或位于其后方。否则，如果在圆盘远离您身体旋转的某个圆周点处发生反冲，则反冲力将会推动旋转圆盘和电动工具撞向您，从而可能造成伤害。
- ▶ 当圆盘卡滞或当出于某种原因中断切削时，应关闭电动工具并静止握住电动工具直到圆盘完全停止转动。当圆盘在运动时，切勿将切削盘移离加工件，否则可能会发生反冲。查找并采取正确的纠正措施消除引起圆盘卡滞的原因。
- ▶ 不得在切削盘处于加工件中时重新启动切削操作。让圆盘达到全速，然后小心地重新切入加工件。如果在圆盘处于加工件中时将电动工具重新启动，则圆盘可能会发生卡滞、跳动或产生反冲。
- ▶ 支撑住面板或任何尺寸过大的工件，以将切断轮受到阻碍和发生反冲的风险降至最低。大型加工件在其自身重量下有下垂的趋势。必须在切削线附近以及在圆盘两侧加工件边缘附近对加工件进行支撑。
- ▶ 对现有的墙壁或其它盲区加工“型腔切口”时应极度小心。伸出的圆盘可能会切到煤气管、水管、电线以及会引起反冲的物体。

### 2.1.3 附加的安全说明

#### 人身安全

- ▶ 请仅在产品处于完美运转状态的情况下使用它。



- ▶ 不得以任何方式篡改或改动本工具。
- ▶ 避免接触旋转零件 - 人身伤害的危险！
- ▶ 更换配套工具时，戴上防护手套。触摸配套工具会带来伤害风险（割伤或烫伤）。
- ▶ 在开始工作之前，应测定工作时会产生的粉尘的危险等级。使用具有官方认可防护等级的工业真空吸尘器，并遵守当地适用的粉尘防护规定。一些材料产生的粉尘（例如含铅油漆、某些类型的木材以及含有石英、矿物或金属的混凝土/砖石/石块）可能对人体健康有害。
- ▶ 确保工作场所通风良好，必要时佩戴适用于产生的灰尘类型的呼吸器。接触或吸入这些粉尘可能会导致操作者或旁观者出现过敏性反应和/或呼吸类疾病。某些种类的灰尘还属于致癌物质，例如橡木和山毛榉木灰尘，特别是在带木材调节添加剂（铬酸盐、木材防腐剂）时。含石棉的材料只能由专业人员进行处理。
- ▶ 工作间隙抽时间休息并做体育锻炼，改善手指的血液循环状况。工作期间长时间暴露于振动环境中可能导致手指、手掌和手腕部位血管和神经系统紊乱。

#### 电气安全

- ▶ 开始工作之前，检查工作区域是否有隐蔽的电缆或天然气和水管。如果意外损坏了电缆，电动工具的外部金属件可能导致电击。

#### 小心地使用和操作电动工具

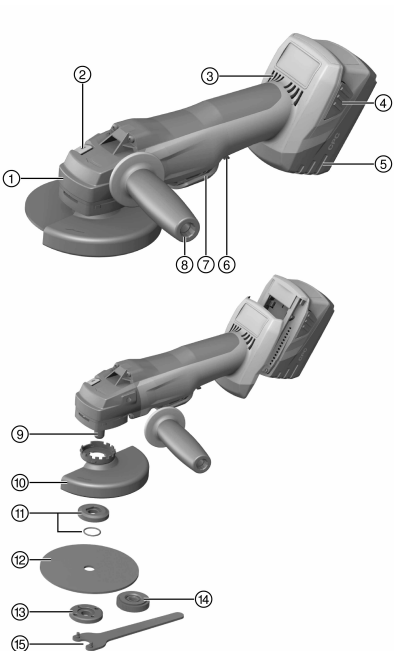
- ▶ 不得使用切削盘进行磨削。
- ▶ 牢固地拧紧配件工具和法兰。如果配件工具和法兰未牢固拧紧，则关闭后，配件工具可能因电机的制动作用而从主轴上松脱。
- ▶ 关于磨削盘的使用和存放，请遵照制造商的相关说明。

#### 2.1.4 电池的使用和维护

- ▶ 遵守与锂离子电池的运输、储存和使用相关的特殊规定和适用说明。
- ▶ 不要将电池暴露在高温、直射阳光或明火环境下。
- ▶ 请勿拆开、挤压或烧毁电池，不要让它们暴露于超过 80 °C 的高温下。
- ▶ 如果电池受到过物理冲击、从高处跌落过或表现出损坏迹象，则不得使用电池或为其充电。在这种情况下，请务必联系您的 **Hilti 维修中心**。
- ▶ 如果电池发热烫手，则可能有故障。在这种情况下，将产品放在不易燃的地方，远离易燃材料，一边观察电池情况，一边等待其冷却。在这种情况下，请务必联系您的 **Hilti 维修中心**。



**3.1 产品概述 1**



- ① 防护装置释放按钮
- ② 主轴锁止按钮
- ③ 通风口
- ④ 带附加功能 (充电状态显示启动) 的释放按钮
- ⑤ 电池
- ⑥ 接通联锁装置解锁按钮
- ⑦ “打开/关闭”开关
- ⑧ 减振侧面手柄
- ⑨ 主轴
- ⑩ 标准防护装置
- ⑪ 夹紧用法兰及 O 形环
- ⑫ 研磨切削盘/研磨磨削盘
- ⑬ 夹紧螺母
- ⑭ **Kwik lock** 夹紧螺母 (选装)
- ⑮ 扳手

**3.2 预期用途**

所述的产品为手持充电式角磨机。它设计用于切削和磨削金属和矿物材料，并用于在不使用水的情况下执行瓷砖钻孔操作。它可仅用于干式磨削/切割。

- 只有配备相应的防护装置 (选装配件) 时，本电动工具才可用于对矿物材料进行切割、开槽和磨削。
- 对矿物材料 (例如混凝土或石材) 执行作业时，必须将除尘罩与适当的 Hilti 真空吸尘器一起使用。
- ▶ 使用本产品仅限使用 Hilti B 22 系列锂离子电池。
- ▶ 请仅用 Hilti C4/36 系列电池充电器为这些电池充电。

**3.3 供货提供的部件：**

角磨机、侧面手柄、标准防护装置、前盖、夹紧法兰、夹紧螺母、扳手、操作说明。  
经批准可以与本产品搭配使用的其它系统产品，可以在您当地的 **Hilti Store** 购买或访问 [www.hilti.group](http://www.hilti.group) 在线订购

**3.4 温度相关电动机保护**

与温度有关的电机保护系统可以监控电流输入和电机温度，从而防止电动工具过热。  
如果因施加过高的工作压力而使电机过载，则电动工具的性能明显降低或可能完全停止。  
如果电动工具因过载而停止或明显减速，则释放对工具施加的压力，然后使其空载运行约 30 秒。

**3.5 带前盖的防护装置 2**

当在金属加工应用中使用直型磨削盘进行磨削以及使用切削盘进行切割时，请使用带前盖的标准防护装置。



### 3.6 DC-EX 125/5" C 紧凑型切削用防尘罩 (配件)

使用金刚石切削盘切削矿物材料时，使用 DC-EX 125/5" C 紧凑型防尘罩。  
小心 严禁在对金属进行作业时使用该防尘罩。

### 3.7 DG-EX 125/5" 磨削用防尘罩 (配件)

该磨削系统只能偶尔与金刚石杯形砂轮一起用于磨削矿物材料。  
小心 严禁在对金属进行作业时使用该防尘罩。

### 3.8 锂离子电池充电状态显示屏

按下两个电池释放按钮中的一个后，显示锂离子电池的充电状态。

状态	含义
4 个 LED 亮起。	充电状态：75% 至 100%
3 个 LED 亮起。	充电状态：50% 至 75%
2 个 LED 亮起。	充电状态：25% 至 50%
1 个 LED 亮起。	充电状态：10% 至 25%
1 个 LED 闪烁。	充电状态：< 10%

当电动工具在使用时或在刚使用完之后，不会指示充电状态。若电池充电状态 LED 闪烁，请参考“故障排除”章节中的信息。

## 4 消耗品

仅使用由合成树脂粘合的纤维增强圆盘，圆盘最大  $\varnothing$  125 mm，允许使用的旋转速度至少为 11,000 rpm，圆周速度为 80 m/s。

最大允许磨削盘厚度为 6.4 mm，最大允许切削盘厚度为 3 mm。

**注意！** 使用研磨切削盘切削或开槽时，请务必使用带附加前盖的标准防护装置，或完全封闭的防尘罩。

### 圆盘

	应用场合	名称	材料
研磨切削盘	切削、开槽	AC-D	金属
金刚石切削盘	切削、开槽	DC-TP、DC-D (SPX、SP、P)	矿物
研磨磨削盘	粗磨	AG-D、AF-D、AN-D	金属
金刚石磨削盘	粗磨	DG-CW (SPX、SP、P)	矿物
金刚石取芯钻头	瓷砖钻孔	DD-M14	矿物

### 磨削盘对所用设备的适用性

项目	配备	AC-D	AG-D	AF-D	AN-D	DG-CW	DC-D	DD-M14
A	防护装置	X	X	X	X	X	X	X
B	前盖 (与 A 搭配)	X	-	—	—	—	X	—
C	DG-EX 125/5" 磨削用防尘罩	—	—	—	—	X	—	—
D	DC-EX 125/5" C 切削用防尘罩 (仅与 A 搭配)	—	—	—	—	—	X	—
E	侧面手柄	X	X	X	X	X	X	X
F	DCBG 125 卡箍手柄 (E 可选装)	X	X	X	X	X	X	X
G	夹紧螺母	X	X	X	X	X	X	—
H	夹紧用法兰	X	X	X	X	X	X	—
I	<b>Kwik Lock</b> (G 选装)	X	X	X	X	—	X	—



## 5 技术数据

	AG 125-A22
额定电压	21.6 V
额定转速	9,500 rpm
最大盘直径	125 mm
符合 EPTA Procedure 01 要求的重量 (包括 B22/8.0 电池)	3.3 kg
驱动主轴螺纹 (心轴尺寸)	M14
主轴长度	22 mm

### 5.1 噪音信息和振动值按照 EN 60745 标准

这些说明中给出的声压和振动值按照标准化测试的要求测得，可用于比较一种电动工具与另一种电动工具。它们还可用于初步评价受振动影响的程度。提供的数据代表本电动工具的主要应用。但是，如果将电动工具用于不同的应用、使用不同的配件工具或维护不良，则数据可能不同。这可能会显著增加操作者在整个工作期间受振动影响的程度。对受振动影响程度的准确估计还应考虑当关闭电动工具或当它运行但实际未进行工作时的情况。这可能会显著减小操作者在整个工作期间受振动影响的程度。此外，应确定附加安全措施，以保护操作者免受噪音和/或振动影响，例如：正确维护电动工具和配套工具、保持双手温暖、合理安排工作方式。

#### 噪音信息

排放声压级 ( $L_{pA}$ )	83 dB(A)
声压级的不确定性 ( $K_{pA}$ )	3 dB(A)
声 (功率) 级 ( $L_{WA}$ )	94 dB(A)
声功率级的不确定性 ( $K_{WA}$ )	3 dB(A)

#### 振动信息

其它应用 (例如切削) 可能产生偏离给定值的振动值。

带减振侧面手柄的表面磨削 ( $a_{h,AG}$ )	3.8 m/s <sup>2</sup>
不确定性 (K)	1.5 m/s <sup>2</sup>

### 5.2 电池

电池工作电压	21.6 V
工作环境温度	-17 °C ... 60 °C
存放温度	-20 °C ... 40 °C
电池充电起始温度	-10 °C ... 45 °C

## 6 在使用之前

### 6.1 插入电池

#### -小心-

人身伤害的危险。因角磨机意外启动。

- ▶ 安装电池之前，先检查并确认已关闭角磨机并启动安全锁。

#### -小心-

电气危险。触点脏污可能导致短路。

- ▶ 插入电池前，检查以确保电池端子和角磨机中的触点上无异物。

#### -小心-

人身伤害的危险。如果未正确安装，则电池可能掉出并掉下。

- ▶ 检查并确认电池在工具中可靠入位，以免因其掉出和掉下而为他人带来危险。
- ▶ 安装电池，检查并确认电池在电动工具中牢固入位。



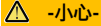
## 6.2 拆下电池

- ▶ 拆下电池。

## 6.3 安装侧面手柄

- ▶ 将侧面手柄拧入提供的其中一个螺纹衬套内。

## 6.4 安装或拆卸防护装置



人身伤害的危险。配件工具可能会发烫或边缘很锋利。

- ▶ 安装、拆卸或调节配件工具或其他部件时以及执行故障排除时，戴上防护手套。

- ▶ 遵守适用的防护装置的安装说明。

### 6.4.1 安装防护装置

防护装置配备定位凸耳，这些凸耳确保只有适合电动工具的防护装置才能安装至电动工具。防护装置的定位凸耳嵌入在电动工具上的防护装置支座内。

1. 将防护装置安装在驱动主轴凸缘上，使防护装置和电动工具上的两个三角形标记对准。
2. 将防护装置压上驱动主轴凸缘。
3. 按下防护装置释放按钮。
4. 旋转防护装置，直至防护装置接合，并且其释放按钮跳回初始位置。

### 6.4.2 调整防护装置

- ▶ 按下防护装置释放按钮，然后旋转防护装置，直至防护装置接合在期望位置。

### 6.4.3 拆卸防尘罩

1. 按下防护装置释放按钮，然后旋转防护装置，直至防护装置和电动工具上的两个三角形标记对准。
2. 拆下防护装置。

## 6.5 安装或拆卸前盖

使用时，前盖卡在防护装置上。

1. 定位前盖，使闭合侧位于标准防护装置上，然后将其推上，直到其接合。
2. 要拆下前盖，先释放前盖的锁扣，然后将前盖从标准防护装置上抬离。

## 6.6 定位 DC-EX 125/5°C 防尘罩 (用于切割)

- ▶ 定位紧凑型防护装置，使“打开/关闭”开关始终保持容易接近和可操作。

## 6.7 安装和拆卸配件工具



人身伤害的危险。配件工具可能过热。

- ▶ 更换配件工具时，戴上防护手套。

当切削或磨削性能明显降低时，必须更换金刚石盘。当某些部分的高度小于 2 mm 时，通常需要这样做。

当切削性能明显降低或角磨机的其它部件 (非盘) 接触到被加工材料时，必须更换其它盘。

当研磨盘达到有效期后，必须将其更换。

### 6.7.1 安装配件工具

1. 拆下电池。→ 页码 225



2. 检查并确认 O 形环在夹紧法兰中入位且未损坏。  
**结果**  
O 形环损坏。  
夹紧法兰中没有 O 形环。
  - ▶ 安装带 O 形环的新夹紧法兰。
3. 将夹紧法兰安装在驱动主轴上 (采用键配合以防止打滑/旋转)。
4. 安装配件工具。

**-警告-**

**人身伤害的危险。** 配件工具可能因电机的制动作用而松脱。

- ▶ 先等待配件工具停止, 然后才能触摸或握住配件工具或夹紧螺母。
- ▶ 通过牢固拧紧夹紧法兰和夹紧螺母来固定配件工具, 以免部件因电机的制动作用而从主轴上松脱。

5. 拧上与所安装配件工具类型对应的夹紧螺母。
6. 按下主轴锁止按钮并保持住。
7. 使用插销扳手可靠拧紧夹紧螺母, 然后释放主轴锁止按钮并取下扳手。

### 6.7.2 拆卸配件工具

1. 拆下电池。→ 页码 225

**-小心-**

**破裂和不可修复的损坏风险。** 如果主轴锁止按钮在主轴正在旋转时按下, 附属工具可能从电动工具上分离。

- ▶ 只有主轴停止旋转后, 才可按下主轴锁止按钮。
2. 按下主轴锁止按钮并保持住。
  3. 使用扳手夹住螺母并沿逆时针方向旋转, 释放夹紧螺母。
  4. 释放主轴锁止按钮, 然后拆下配件工具。

### 6.7.3 安装用 Kwik Lock 螺母固定的配件工具

**-小心-**

**破裂风险。** 严重磨损会导致 Kwik Lock 螺母破裂。

- ▶ 使用电动工具时, 确保 Kwik Lock 螺母不会与工作面相接触。
- ▶ 不要使用损坏的 Kwik Lock 螺母。

可使用选装的 Kwik Lock 螺母来代替标准夹紧螺母。这样, 不需要附加工具 (无钥匙系统) 便可更换配件工具 (盘等)。

1. 拆下电池。→ 页码 225
2. 清洁夹紧用法兰和 Kwik-Lock 快松式夹紧螺母。
3. 将夹紧用法兰安装在驱动主轴上。
4. 安装配件工具。
5. 拧上 Kwik Lock 螺母, 直到其紧靠配件工具入位。
  - ▶ 拧上螺母后, 名称 Kwik Lock 应可见。
6. 按下主轴锁止按钮并保持住。
7. 用手沿顺时针方向用力转动配套工具, 直到 Kwik lock 螺母被可靠拧紧, 然后释放主轴锁止按钮。

### 6.7.4 拆卸用 Kwik Lock 螺母固定的配件工具

1. 拆下电池。→ 页码 225

**-小心-**

**破裂和不可修复的损坏风险。** 如果主轴锁止按钮在主轴正在旋转时按下, 附属工具可能从电动工具上分离。

- ▶ 只有主轴停止旋转后, 才可按下主轴锁止按钮。
2. 按下主轴锁止按钮并保持住。
  3. 用手逆时针转动 Kwik lock 螺母以将其释放。
  4. 如果用手转动不能释放 Kwik lock 螺母, 则使用插销扳手沿逆时针方向转动螺母。

切勿使用管扳手! 管扳手可能会损坏 Kwik lock 螺母。





5. 释放主轴锁止按钮，然后拆下配件工具。

### 6.7.5 安装取芯钻头

1. 拆下电池。→ 页码 225
2. 安装侧面手柄。→ 页码 225
3. 安装防护装置。→ 页码 225
4. 将取芯钻头放入位，并将其拧紧至手紧程度。
5. 按下并按住心轴锁止按钮。
6. 用适当的开口扳手拧紧取芯钻头。
7. 然后释放主轴锁止按钮并拆下开口扳手。

## 7 操作

### 7.1 磨削



人身伤害的危险。配件工具可能会突然卡住或停止。

- ▶ 使用安装有侧面手柄 (或选装的环形握把) 的电动工具，务必用双手用力抓住电动工具。

### 7.2 切削

- ▶ 切削时，施加适度的进给力，不要倾斜电动工具或切削盘 (作业时，使其与切削面近似垂直)。



当切削剖面和方管时，为了获得最佳结果，从最小的横截面开始切削。

### 7.3 粗磨



人身伤害的危险。研磨切削盘可能破裂，飞溅的碎片可能造成危害。

- ▶ 切勿使用研磨切削盘进行磨削。
- ▶ 来回移动电动工具，同时保持 5° - 30° 的冲角并施加适度的压力。
  - ▶ 这将避免工件过热和变色，并且有助于确保均匀的表面质量。

### 7.4 打开 (配备接通安全联锁装置的工具)



带安全锁 (接通联锁装置) 的“打开/关闭”开关使您能够完全控制开关功能并避免意外启动。

1. 向前推动安全锁。
  - ▶ “打开/关闭”开关解锁。
2. 尽可能按下“打开/关闭”开关。
  - ▶ 电动工具的电机以空载转速运行。

### 7.5 关闭 (配备接通安全联锁装置的工具)

- ▶ 释放“打开/关闭”开关。
  - ▶ 安全锁自动跳入锁止位置。

## 8 维护和保养



插入电池时存在人身伤害危险！

- ▶ 执行维护和保养任务之前，请务必先取出电池。

### 本工具的维护和保养

- 小心地清除顽固污渍。




- 使用干燥的刷子小心清洁通风孔。
- 请仅使用略湿的布清洁壳体。不要使用含硅清洁剂，否则可能腐蚀塑料件。

### 锂离子电池的保养

- 确保电池远离油和油脂。
- 请仅使用略湿的布清洁壳体。不要使用含硅清洁剂，否则可能腐蚀塑料件。
- 注意避免湿气侵入。

### 维护

- 定期检查所有可见部件和控制器是否出现损坏迹象，确保其全部正常工作。
- 如果发现损坏迹象或如果有部件发生故障，不要操作本产品。立即将产品交由 Hilti 维修中心修复。
- 清洁和维护之后，安装所有护板或保护装置，检查并确认其正常工作。

 为确保安全和可靠的操作，仅限使用喜利得原装备件和消耗品。Hilti 批准用于配合产品使用的备件、消耗品和配件可到您当地的 **Hilti Store** 购买或通过以下网址在线订购：[www.hilti.group](http://www.hilti.group)。

## 9 运输和存放无绳工具

### 运输



#### 运输途中的意外启动！

- ▶ 运输产品前务必将电池取出！
- ▶ 拆下电池。
- ▶ 切勿松散、未加保护地运输大批量电池。
- ▶ 在长时间运输后使用前，检查工具和电池是否损坏。

### 存放



#### 电池故障或泄漏导致的意外损坏！

- ▶ 存放产品前务必将电池取出！
- ▶ 将工具和电池存放在尽量凉爽和干燥的地方。
- ▶ 切勿将电池存放在阳光直射位置、加热单元上或窗玻璃后。
- ▶ 将工具和电池存放在儿童或非授权人员无法接近的干燥位置。
- ▶ 工具和电池经过长期存放后，在使用之前，检查其是否受损。

## 10 故障排除

如果您碰到的问题未在此表中列出或您无法自己实施补救措施，请联系 **Hilti** 服务部门。


### 10.1 故障排除

故障	可能原因	解决方案
电池比平常更快耗尽。	非常低的环境温度。	▶ 允许电池缓慢加热到室温。
电池未接合 (没有发出咔哒声)。	电池上的固定凸耳脏污。	▶ 清洁固定凸耳，然后重新安装电池。
1 个 LED 闪烁。 电动工具不运行。	电池电量低。	▶ 更换电池，并对已放电电池充电。
	电池过热或过冷。	▶ 使电池缓慢冷却或变暖至室温。
全部 4 个 LED 均闪烁。 电动工具不运行。	工具已过载。	▶ 释放控制开关，然后再次将其按下。然后使电动工具空载运行约 30 秒。
角磨机或电池变得非常热。	电气故障。	▶ 立刻关闭电动工具，拆下电池，进行观察，使其冷却并联系 <b>Hilti</b> 服务部门。
工具不能达到全功率。	使用了一个容量不足的电池。	▶ 使用容量足够的电池。
电机没有制动作用。	电池电量低。	▶ 更换电池，并对已放电电池充电。



故障	可能原因	解决方案
电机没有制动作用。	电动工具短时间过载。	▶ 释放控制开关，然后再次将其按下。

## 11 废弃处置

 大部分用于 Hilti 工具和设备生产的材料是可回收利用的。在可以回收之前，必须正确分离材料。在很多国家，您的旧工具、机器或设备可送至 Hilti 进行回收。敬请联系 Hilti 维修中心或 Hilti 代表获得更多信息。

### 电池处置

电池处置不当可能会造成漏气或漏液，最终导致健康危害。

- ▶ 不得通过邮寄方式发送电池！
- ▶ 用非导电材料 (比如绝缘带) 包住端子，以防止短路。
- ▶ 在儿童接触不到的地方处置电池。
- ▶ 请至 Hilti Store 处置电池，或咨询当地政府下属的垃圾处置或公共健康和安全机构，以获取处置说明。



- ▶ 不得将电动工具、电子设备或电池作为生活垃圾处置！

## 12 RoHS (有害物质限制)

单击链接跳转到有害物质表：[qr.hilti.com/r3958236](http://qr.hilti.com/r3958236)。

文档末尾以二维码形式提供指向 RoHS 表的链接。

## 13 制造商保修

- ▶ 如果您有保修条件方面的问题，请联系您当地的 Hilti 公司代表。







**Hilti Aktiengesellschaft**  
Feldkircherstraße 100  
9494 Schaan | Liechtenstein

**AG 125-A22 (02)**

[2015]

2006/42/EG

EN ISO 12100

2014/30/EU

EN 60745-1

2006/66/EG

EN 60745-2-3

2011/65/EU

Schaan, 03/2015

A handwritten signature in black ink, appearing to read "Paolo Luccini".

**Paolo Luccini**

Head of BA Quality and  
Process-Management

BA Electric Tools & Accessories

A handwritten signature in black ink, appearing to read "Tassilo Deinzer".

**Tassilo Deinzer**

Executive Vice President

Business Unit Power Tool &  
Accessories







Hilti Corporation  
LI-9494 Schaan  
Tel.:+423 234 21 11  
Fax:+423 234 29 65  
[www.hilti.group](http://www.hilti.group)



2111867